

1992

**BMW
318is, 325i
(E36)**

**Electrical
Troubleshooting
Manual**

Vehicles Produced 4/91 to 8/92



ELECTRICAL TROUBLESHOOTING MANUAL

3 SERIES – E36 (318is, 325i)

SCHEMATICS

MODEL YEAR 1992

0100.0	INDEX	6213.2	MULTI-FUNCTION CLOCK
0110.0	INTRODUCTION	6300.0	LIGHT SWITCH DETAILS
0140.0	SYMBOLS	6312.0	HEADLIGHTS/FOG LIGHTS
0670.0	POWER DISTRIBUTION CHART	6313.0	TURN/HAZARD LIGHTS
0670.1	FUSE CHART	6314.0	PARK/TAIL/UNDERHOOD LIGHTS
0670.2	POWER DISTRIBUTION	6320.0	LICENSE PLATE/LUGGAGE COMPARTMENT LIGHTS
0670.3	FUSE DETAILS	6322.0	BACK UP LIGHTS
0670.4	GROUND DISTRIBUTION	6325.0	BRAKE LIGHTS
0670.5	DATA LINK	6330.3	INTERIOR LIGHTS
1210.7	ENGINE CONTROL SYSTEM (DME M3.1, 6-CYLINDER M50)	6332.1	GLOVE BOX LIGHT/CASSETTE BOX/ ASHTRAY LIGHT/CHARGING SOCKET/ CIGAR LIGHTER
1210.9	ENGINE CONTROL SYSTEM (DME M1.7, 4-CYLINDER M42)	6350.0	CRASH CONTROL MODULE
1230.0	CHARGING SYSTEM	6412.5	PARK VENTILATION WITH IHKR
1240.0	START	6424.0	REAR WINDOW DEFOGGER
2460.2	ELECTRONIC TRANSMISSION CONTROL (EGS A4S 310R)	6450.4	INTEGRATED CLIMATE REGULATION (IHKR E36)
3234.0	SUPPLEMENTAL RESTRAINT SYSTEM (AIR BAG)	6510.0	RADIO/CD PLAYER (PROVISIONS)
3450.0	SLIP CONTROL (ABS)	6510.1	RADIO/HIFI
5116.0	POWER MIRRORS	6561.0	CELLULAR TELEPHONE (PROVISIONS)
5126.2	CENTRAL LOCKING MODULE II (ZVM II)	6571.0	CRUISE CONTROL (TEMPOMAT)
5133.1	POWER WINDOWS (FH)	6575.2	ANTI-THEFT SYSTEM (ALPINE)
5200.0	POWER SEATS	6581.2	ON-BOARD COMPUTER (BC V)
5203.0	HEATED SEATS	7000.0	COMPONENT LOCATION CHART
5410.1	POWER SUN ROOF (SHD)	7100.0	COMPONENT LOCATION VIEWS
6133.0	HORN	8000.0	SPLICE LOCATION VIEWS
6160.1	WIPER/WASHER MODULE (WWM)	8500.0	CONNECTOR VIEWS
6167.1	HEADLIGHT WASHER (SRA)		
6211.0	INSTRUMENT CLUSTER		

BMW
3

0100.0

ABS HYDRAULIC UNIT, Y1	3450.0-01
ABS PEDAL TRAVEL SENSOR, S123	3450.0-01
ABS PUMP MOTOR RELAY, K75	3450.0-00
ABS RELAY, K10	3450.0-00
AIR BAG GENERATOR, DRIVERS, G5	3234.0-00
AIR CONDITIONING COMPRESSOR, Y2	6450.4-05
ANTENNA AMPLIFIER AM/FM, N8	6424.0-00
ANTI-THEFT HORN, H1w	6581.2-02
ANTI-THEFT SYSTEM (ALPINE)	6575.2
ANTI-THEFT SYSTEM CONTROL MODULE (ALPINE), N12w	6575.2
AUTOMATIC CUT-OUT, F56	5133.1-01
AUTOMATIC TRANSMISSION RANGE SWITCH, S3	2460.2-03
AUXILIARY FAN MOTOR, M9	6450.4-04
AUXILIARY TURN LIGHT, LEFT FRONT, H9	6313.0-02
AUXILIARY TURN LIGHT, RIGHT FRONT, H8	6313.0-02
BACK UP LIGHTS	6322.0
BACK UP LIGHT, LEFT, H27	6322.0-00
BACK UP LIGHT, RIGHT, H28	6322.0-00
BATTERY, G1	0670.2
BLOWER MOTOR, M30	6450.4-02
BLOWER RELAY, K4	6450.4-00
BLOWER RESISTORS, R11	6450.4-02
BLOWER SWITCH, S75	6450.4-02
BRAKE FLUID LEVEL SWITCH, B18	6211.0-00
BRAKE LIGHT SWITCH, S29	6325.0-00
BRAKE LIGHT SWITCH, S30	6325.0-01
BRAKE LIGHTS	6325.0
BRAKE LIGHT, LEFT, H24	6325.0-00
BRAKE LIGHT, RIGHT, H31	6325.0-00
BRAKE PAD SENSOR, LEFT FRONT, B16	6211.0-01
BRAKE PAD SENSOR, RIGHT REAR, B17	6211.0-01
CAMSHAFT POSITION SENSOR (CYLINDER IDENTIFICATION), B6204	1210.7-04
CAMSHAFT POSITION SENSOR (CYLINDER IDENTIFICATION), B6204	1210.9-06
CASSETTE BOX LIGHT, E45y	6332.1-00
CD CHANGER, N22	6510.1-00

CELLULAR TELEPHONE (PROVISIONS)	6561.0
CENTRAL LOCKING MODULE, A30	5126.2
CENTRAL LOCKING MODULE II (ZVM II)	5126.2
CHARGING SYSTEM	1230.0
CHECK CONTROL MODULE, A4	6581.2-03
CHILD PROTECTION CONTROL (CONSOLE), S130	5133.1-03
CHIME MODULE, H10	6213.2-01
CHIME MODULE, H10	6581.2-01
CLUTCH SWITCH, S32	6325.0-00
COMBINATION SWITCH, S7	6312.0-00
COMFORT RELAY, K78	5133.1-00
COMPONENT LOCATION CHART	7000.0
COMPONENT LOCATION VIEWS	7100.0
COMPRESSOR CONTROL RELAY, K19	6450.4-05
CONNECTOR VIEWS	8500.0
CONTACT RING, C101	3234.0-00
CRANKSHAFT POSITION/RPM SENSOR, B6203	1210.7-04
CRANKSHAFT POSITION/RPM SENSOR, B6203	1210.9-06
CRASH CONTROL MODULE, N17	6350.0-01
CRASH CONTROL MODULE	6350.0
CRUISE CONTROL ACTUATOR (TEMPOMAT), M25	6571.0-01
CRUISE CONTROL (TEMPOMAT)	6571.0
CRUISE CONTROL MODULE (TEMPOMAT), A8	6571.0
CRUISE CONTROL SWITCH, S28	6571.0-00
CYL. 1-2 KNOCK SENSOR, B6241	1210.9-01
CYL. 1 FUEL INJECTION VALVE, Y6101	1210
CYL. 1-6 FUEL PUMP RELAY, K6301	1210.7-02
CYL. 1-4 FUEL PUMP RELAY, K6301	1210.9-05
CYL. 1 IGNITION COIL, T6151	1210
CYL. 2 FUEL INJECTION VALVE, Y6102	1210
CYL. 2 IGNITION COIL, T6152	1210
CYL. 3 FUEL INJECTION VALVE, Y6103	1210
CYL. 3-4 KNOCK SENSOR, B6242	1210.9-01
CYL. 3 IGNITION COIL, T6153	1210
CYL. 4 FUEL INJECTION VALVE, Y6104	1210
CYL. 4 IGNITION COIL, T6154	1210
CYL. 5 FUEL INJECTION VALVE, Y6105	1210



INDEX

CYL. 5 IGNITION COIL, T6155	1210
CYL. 6 FUEL INJECTION VALVE, Y6106	1210
CYL. 6 IGNITION COIL, T6156	1210
DASH VENT MIXING FLAP MOTOR, M34	6450.4-03
DATA LINK	0670.5
DATA LINK CONNECTOR, D100	0670.5
DAYTIME RUNNING LIGHTS CODING DIODE, V4	6314.0-02
DIMMER, N3	6300.0-00
DOME LIGHT/MAP READING ASSEMBLY, FRONT, E34	6330.3-00
DOOR (CONSOLE) POWER WINDOW SWITCH, LH REAR, S128y	5133.1-03
DOOR (CONSOLE) POWER WINDOW SWITCH, RH REAR, S129y	5133.1-03
DOOR JAMB SWITCH, DRIVER'S, S14	5126.2-01
DOOR JAMB SWITCH, LEFT REAR, S16	5126.2-01
DOOR JAMB SWITCH, PASSENGER'S, S13	5126.2-01
DOOR JAMB SWITCH, RIGHT REAR, S15	5126.2-01
DOOR LOCK MOTOR, DRIVER'S, M12	5126.2-04
DOOR LOCK MOTOR, LEFT REAR, M15	5126.2-03
DOOR LOCK MOTOR, PASSENGER'S; M13	5126.2-04
DOOR LOCK MOTOR, RIGHT REAR, M14	5126.2-03
DOOR LOCK SWITCH, DRIVER'S, S47	5126.2-00
DOOR LOCK SWITCH, PASSENGER'S, S49	5126.2-00
ELECTRONIC TRANSMISSION CONTROL (EGS A4S 310R)	2460.2
ENGINE CONTROL MODULE (DME), A6000	1210.7
ENGINE CONTROL MODULE (DME), A6000	1210.9
ENGINE CONTROL MODULE RELAY, K6300	1210.7-00
ENGINE CONTROL MODULE RELAY, K6300	1210.9-02
ENGINE CONTROL SYSTEM (DME M1.7, 4-CYLINDER M42)	1210.9
ENGINE CONTROL SYSTEM (DME M3.1, 6-CYLINDER M50)	1210.7
ENGINE COOLANT LEVEL SWITCH, S63	6581.2-03
ENGINE COOLANT TEMP. SENSOR, B6236	1210.7-05
ENGINE COOLANT TEMP. SENSOR, B6236	1210.9-01
ENGINE COOLANT TEMPERATURE SENSOR, B6232	6211.0-02
ENGINE HOOD SWITCH (DWA), S21	6581.2-02
ENGINE INTAKE AIR TEMPERATURE SENSOR, B6205	1210.7-05
EVAPORATIVE EMISSION VALVE, Y6120	1210.7-01
EVAPORATIVE EMISSION VALVE, Y6120	1210.9-04
EVAPORATOR TEMPERATURE SENSOR, B14	6450.4-02

FOG LIGHT, LEFT, E26	6312.0-03
FOG LIGHT, RIGHT, E27	6312.0-03
FOG LIGHT SWITCH, S10	6312.0-01
FRESH AIR FLAP MOTOR, M36	6450.4-03
FRONT ASHTRAY LIGHT, E25	6332.1-00
FRONT CIGAR LIGHTER, E28	6332.1-00
FRONT CIGAR LIGHTER LIGHT, E29	6332.1-00
FRONT FOG LIGHT RELAY, K47	6312.0-03
FRONT POWER DISTRIBUTION BOX, P90	0670.2
FUEL LEVEL SENSOR, B6	6211.0-04
FUEL PUMP, M2	1210.7-02
FUEL PUMP, M2	1210.9-05
FUEL TANK SENSOR II, B25y	6211.0-04
FUSE CHART	0670.1
FUSE DETAILS	0670.3
FUSIBLE LINK, F97	0670.2-00
GAS FILLER LOCK MOTOR, M16	5126.2-05
GENERATOR, G6509	1230.0-00
GLOVE BOX LIGHT, E42	6332.1-00
GLOVE BOX LIGHT/CASSETTE BOX/ASHTRAY LIGHT/CHARGING SOCKET/CIGAR LIGHTER	6332.1
GLOVE BOX LIGHT SWITCH, S37	6332.1-00
GROUND DISTRIBUTION	0670.4
HAZARD FLASHER RELAY, K16	6313.0-00
HAZARD SWITCH, S18	6313.0-01
HEADLIGHT, LEFT, E7	6313.0-02
HEADLIGHT, RIGHT, E8	6313.0-02
HEADLIGHT/FOG LIGHT CLEANING SYSTEM MODULE (SRA), N6	6167.1-00
HEADLIGHT/FOG LIGHT WASHER PUMP, M7	6167.1-00
HEADLIGHT WASHER (SRA)	6167.1
HEADLIGHTS/FOG LIGHTS	6312.0
HEATED OXYGEN SENSOR, B6200	1210.7-04
HEATED OXYGEN SENSOR, B6200	1210.9-06
HEATED SEATS	5203.0
HEAT EXCHANGER TEMPERATURE SENSOR, LH, B11	6450.4-02
HEAT EXCHANGER TEMPERATURE SENSOR, RH, B12	6450.4-02
HIFI AMPLIFIER, A18	6510.1-00



INDEX

HIGH BEAM LIGHT, LEFT, E11	6312.0-04
HIGH BEAM LIGHT, RIGHT, E12	6312.0-04
HIGH BEAM LIGHT RELAY, K46	6312.0-04
HIGH LEVEL STOP LIGHT, H34	6325.0-00
HIGH RANGE SPEAKER, LEFT FRONT, H59	6510.1-01
HIGH RANGE SPEAKER, LEFT REAR, H56	6510.1-01
HIGH RANGE SPEAKER, RIGHT FRONT, H50	6510.1-02
HIGH RANGE SPEAKER, RIGHT REAR, H53	6510.1-02
HIGH SPEED RELAY, K22	6450.4-04
HORN	6133.0
HORN, LEFT, H2	6133.0-00
HORN, RIGHT, H3	6133.0-00
HORN RELAY, K2	6133.0-00
HORN SWITCH, S4	6133.0-00
IDLE SPEED CONTROL VALVE, Y6130	1210.7-01
IDLE SPEED CONTROL VALVE, Y6130	1210.9-04
IGNITION SWITCH, S2	0670.2-04
IHKR CONTROL PANEL, S134y	6450.4-01
INDEX	0100.0
INERTIA SWITCH, S27	5126.2-00
INSTRUMENT CLUSTER, A2	6211.0
INSTRUMENT CLUSTER	6211.0
INTAKE AIR RESONANCE CHANGEOVER VALVE, Y6131	1210.9-04
INTEGRATED CLIMATE REGULATION (IHKR E36)	6450.4
INTEGRATED CLIMATE REGULATION CONTROL MODULE, A87y	6450.4-00
INTENSIVE WASH PUMP, M5	6160.1-02
INTERIOR LIGHTS	6330.3
INTERIOR LIGHT, LEFT REAR, E39	6330.3-00
INTERIOR LIGHT, RIGHT REAR, E40	6330.3-00
INTRODUCTION	0110.0
IMPACT SENSOR, LEFT FRONT, S71	3234.0-00
IMPACT SENSOR, RIGHT FRONT, S72	3234.0-00
KICK-DOWN SWITCH, S8507	2460.2-04
LICENSE PLATE/LUGGAGE COMPARTMENT LIGHTS	6320.0
LICENSE PLATE LIGHT, LEFT, E43	6320.0-00
LICENSE PLATE LIGHT, RIGHT, E44	6320.0-00
LIGHT SWITCH, S8	6300.0-00

LIGHT SWITCH DETAILS	6300.0
LOW BEAM LIGHT, LEFT, E13	6312.0-04
LOW BEAM LIGHT, RIGHT, E14	6312.0-04
LOW BEAM LIGHT RELAY, K48	6312.0-04
LOW RANGE SPEAKER, LEFT FRONT, H58	6510.1-01
LOW RANGE SPEAKER, LEFT REAR, H57	6510.1-01
LOW RANGE SPEAKER, RIGHT FRONT, H51	6510.1-02
LOW RANGE SPEAKER, RIGHT REAR, H52	6510.1-02
MASS AIR FLOW SENSOR, B6206	1210.7-05
MAKE UP MIRROR LIGHT, DRIVER'S, E35	6330.3-00
MAKE UP MIRROR LIGHT, PASSENGER'S, E36	6330.3-00
MAKE UP MIRROR SWITCH, DRIVER'S, S77	6330.3-00
MAKE UP MIRROR SWITCH, PASSENGER'S, S78	6330.3-00
MID-HIGH RANGE SPEAKER, LEFT, H42	6510.1-01
MID-HIGH RANGE SPEAKER, RIGHT, H43	6510.1-02
MIDRANGE SPEAKER, LEFT FRONT, H55	6510.1-01
MIDRANGE SPEAKER, RIGHT FRONT, H54	6510.1-02
MIRROR CONTROL SWITCH, S17	5116.0-00
MIXING ACTUATOR, R1	6450.4-02
MULTI-FUNCTION CLOCK, N10	6213.2-00
MULTI-FUNCTION CLOCK	6213.2
NORMAL SPEED RELAY, K21	6450.4-04
OIL PRESSURE SWITCH, B6231	6211.0-00
ON-BOARD COMPUTER (BC V)	6581.2
ON-BOARD COMPUTER HORN RELAY, K91	6581.0-02
ON-BOARD COMPUTER TEMPERATURE SENSOR, B21	6581.2-00
OUTSIDE TEMPERATURE SENSOR, B13	6450.4-02
OXYGEN SENSOR RELAY, K6303	1210.7-04
OXYGEN SENSOR RELAY, K6303	1210.9-02
PARK LIGHT/LICENSE PLATE LIGHT RELAY, RIGHT, K25	6314.0-02
PARK LIGHT RELAY LEFT, K26	6314.0-02
PARK LIGHT, LEFT, E15	6314.0-01
PARK LIGHT, RIGHT, E19	6314.0-01
PARK BRAKE SWITCH, S31	6211.0-00
PARK HEATING/VENTILATION RELAY BOX, A15	6412.5-01
PARK/TAIL LIGHTS	6314.0
PARK VENTILATION WITH IHKR	6412.5



INDEX

POWER DISTRIBUTION	0670.2
POWER DISTRIBUTION CHART	0670.0
POWER SEATS	5200.0
POWER SUN ROOF (SHD)	5410.1
POWER MIRRORS	5116.0
POWER WINDOW SWITCH, DRIVER'S, S126y	5133.1-02
POWER WINDOW SWITCH, PASSENGER'S, S127y	5133.1-01
POWER WINDOWS (FH)	5133.1
POWER WINDOW MODULE, DRIVER'S, A61	5133.1-02
POWER WINDOW MODULE, PASSENGER'S, A961	5133.1-06
PRESSURE SWITCH, B8y	6450.4-05
PRESSURE SWITCH, B9y	6450.4-05
PRESSURE SWITCH, B9508	6450.4-05
PROGRAM SWITCH, S8503	2460.2-01
RADIO, N9	6510.1-00
RADIO/CD PLAYER (PROVISIONS)	6510.0
RADIO/HIFI	6510.1
RADIO MICROSWITCH, S20y	6581.2-02
REAR ASHTRAY LIGHT, E28y	6332.1-00
REAR DEFOGGER RELAY, K13	6424.0-00
REAR DEFOGGER/ANTENNA, E10	6424.0-01
REAR DEFOGGER I, E9	6424.0-01
REAR WINDOW DEFOGGER	6424.0
RECIRCULATION FLAP MOTOR, M40	6450.4-03
REVERSING LIGHT SWITCH, S8511	6322.0-00
SEAT BELT SWITCH, DRIVER'S, S58	6211.0-01
SEAT CONTROL SWITCH, DRIVER'S SEAT, S51	5200.0-01
SEAT CONTROL SWITCH, PASSENGER'S SEAT, S56	5200.0-01
SEAT CUSHION TILT MOTOR, DRIVER'S, M50	5200.0-01
SEAT CUSHION TILT MOTOR, PASSENGER'S, M61	5200.0-01
SEAT HEATER, DRIVER'S, E57	5203.0-00
SEAT HEATER, PASSENGER'S, E58	5203.0-00
SEAT HEATER SWITCH, DRIVER'S SEAT, S53	5203.0-00
SEAT HEATER SWITCH, PASSENGER'S SEAT, S54	5203.0-00
SEAT HEIGHT MOTOR, DRIVER'S, M52	5200.0-01
SEAT HEIGHT MOTOR, PASSENGER'S, M59	5200.0-01
SEAT MOVEMENT MOTOR, DRIVER'S, M51	5200.0-01

SEAT MOVEMENT MOTOR, PASSENGER'S, M60	5200.0-01
SEATBACK HEATER, DRIVER'S, E56	5203.0-00
SEATBACK HEATER, PASSENGER'S, E59	5203.0-00
SEATBACK RECLINER MOTOR, DRIVER'S, M53	5200.0-01
SEATBACK RECLINER MOTOR, PASSENGER'S, M58	5200.0-01
SHIFT-LOCK, Y19	2460.2-04
SIDE MIRROR, DRIVER'S, Y5	5116.0-01
SIDE MIRROR, PASSENGER'S, Y6	5116.0-01
SLIP CONTROL (ABS)	3450.0
SLIP CONTROL MODULE (ABS), A7	3450.0
SPEAKER, LEFT REAR, H46	6510.1-01
SPEAKER, RIGHT REAR, H45	6510.1-02
SPEED SENSOR - ABS, LEFT FRONT, B2	3450.0-02
SPEED SENSOR - ABS, LEFT REAR, B4	3450.0-02
SPEED SENSOR - ABS, RIGHT FRONT, B1	3450.0-02
SPEED SENSOR - ABS, RIGHT REAR, B3	3450.0-02
SPLICE LOCATION VIEWS	8000.0
START	1240.0
STARTER, M6510	1240.0-01
STARTER RELAY, K1	1240.0-01
SUNROOF CONTROL ASSEMBLY, A56	5410.1-01
SUNROOF MOTOR, M24	5410.1-01
SUNROOF SWITCH, S38	5410.1-01
SUPPLEMENTAL RESTRAINT SYSTEM (AIR BAG)	3234.0
SUPPLEMENTAL RESTRAINT SYSTEM CONTROL MODULE, A12	3234.0-00
SUPPRESSION FILTER, C900	6424.0-01
SYMBOLS	0140.0
TAIL LIGHT, LEFT, H25	6314.0-01
TAIL LIGHT, LEFT, H37	6314.0-01
TAIL LIGHT, RIGHT, H30	6314.0-01
TAIL LIGHT, RIGHT, H39	6314.0-01
TELEPHONE TRANSCEIVER, H38	6561.0-00
TEMPERATURE SWITCH, S36	6450.4-04
THROTTLE POSITION SENSOR, R6252	1210.7-05
THROTTLE POSITION SENSOR, R6252	1210.9-01
TRANSMISSION CONTROL MODULE (EGS), A8500	2460.2
TRANSMISSION POSITION INDICATOR LIGHT, E82	2460.2-03



INDEX

TRANSMISSION VALVE UNIT, Y8505	2460.2-00
TRUNK COMPARTMENT LIGHT, E32	6320.0-00
TRUNK LIGHT SWITCH, S61y	6330.3-00
TRUNK LOCK MOTOR, M17	5126.2-05
TURN LIGHT, RIGHT FRONT, H4	6313.0-02
TURN/HAZARD LIGHTS	6313.0
TWIN RELAY MODULE, N21	6160.1-02
UNLOADER RELAY, TERMINAL R, K18	6510.1-00
UNLOADER RELAY, TERMINAL 15, K9	5203.0-00
VEHICLE SPEED SENSOR, B10	6211.0-04
VOLUME AIR FLOW SENSOR, B6233	1210.9-01
WASHER PUMP, M4	6160.1-00
WASHER FLUID LEVEL SWITCH, S64	6581.2-03
WATER VALVE ASSEMBLY, Y4	6450.4-01
WINDOW MOTOR, LEFT REAR, M20	5133.1-03
WINDOW MOTOR, DRIVER, M21	5133.1-01
WINDOW RETRACTION DOOR HANDLE CONTACT SWITCH, DRIVER'S, S179	5126.2-02
WINDOW RETRACTION DOOR HANDLE CONTACT SWITCH, PASSENGER'S, S180	5126.2-02
WINDOW MOTOR, PASSENGER, M23	5133.1-01
WINDOW MOTOR, RIGHT REAR, M22	5133.1-03
WINDOW SWITCH, LEFT REAR, S41	5133.1-03
WINDOW SWITCH, RIGHT REAR, S42	5133.1-03
WIPER MOTOR RELAY, K53	6160.1-00
WIPER MOTOR, M3	6160.1-01
WIPER RELAY, K11	6160.1-01
WIPER/WASHER MODULE, A51	6160.1-00
WIPER/WASHER MODULE (LOW II), A64	6160.1-00
WIPER/WASHER MODULE (WWM)	6160.1

BMW
3

0110.0

Schematics

The schematics divide the entire vehicle electrical system into individual circuits. Interacting electrical components are shown on one common schematic.

Switches and other components are represented in such a way that their general layout and function are self-explicit. They are arranged on the sheet such that the current path can be followed from positive (top) to negative (bottom).

Important: The components and wires are not drawn to scale. For instance, a lead with a length of over 1m can be shown as a lead that is only a few cm long. To ensure clear arrangement, all connectors, lines branches and connected components from the fuses to the component and from the component to ground connection are not shown within the individual cells. If required, reference can be made to cells 0670.3 Fuse Details and 0670.4 Ground Distribution where all lines are illustrated with all plug connections, line branches and connected components.

All circuit symbols used are listed and explained in cell **0140.0 Symbols**.

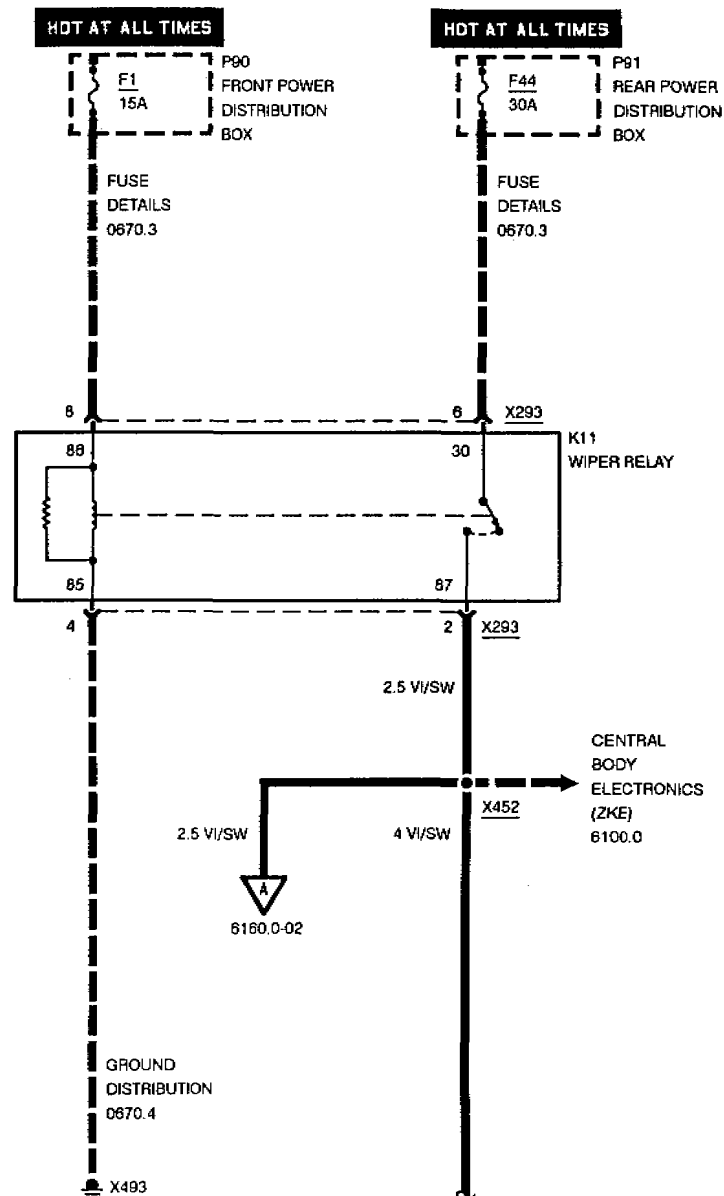
In cell **7000.0 Component Location Chart** all important connectors, ground points and components are listed in tabular form. It provides a precise description of the component locations in the vehicle.

In cell **7100.0 Component Location Views** the location of connectors and components which are difficult to locate are shown in line arts or illustrations. In cell **8000.0 Splice Location Views** all splices are listed in numerical order and illustrations are provided to assist in locating splices on larger harnesses. In cell **8500.0 Connector Views** diagrams of connectors with more than 2 pins are illustrated.

Included in this ETM are foldout block diagrams. These are overviews of the entire system (EGS, ABS, AC etc.) which helps understand the relationships between various components and control unit of the system being diagnosed.

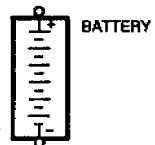
Example

General conventions can be explained based on the following schematic example.

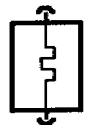


General Conventions

1. Switches and relays are always shown in rest position (e.g. K11).
2. A component shown in a dashed frame signifies that the component is illustrated only in part (e.g. P90 and P91).
3. A component shown in a completely drawn frame signifies that the component is illustrated in full (e.g. K11).
4. The dashed line between pin 8 and pin 6 of connector X293 indicates that both pins belong to connector X293.
5. The dashed line from fuse F1 to pin 8 of connector X293 shows the positive supply of relay K11. If required, refer to cell 0670.3 Fuse Details at fuse F1 for the complete line progressing with plug connections, line branches, wire colors and cross sections.
6. The dashed line with an arrow at splice X452 indicates that several wires lead to splice X452. All lines leading to the connection are illustrated in cell 6100.0 Central Body Electronics (ZKE). An interrupted line with an arrow indicates that only this one wire leads to another circuit.
7. The dashed line from pin 4 of connector X293 to ground X493 shows the ground supply for relay K11. If required, refer to cell 0670.4 Ground Distribution at ground X493 for the complete line progression with all plug connections, line branches, wire colors and cross sections.
8. The interrupted line from splice X452 with an A in the open arrow is continued on page 6160.0-02. Termination of wire 4 VI/SW from splice X452 with a wavy line indicates that the wire is continued on the opposite page.



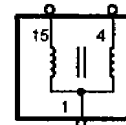
BATTERY



HEATING ELEMENT



VARIABLE RESISTANCE SENSOR
VARIABLE CONTACT IS
MOVED BY AN EXTERNAL
FORCE



IGNITION COIL



FUSE DETAILS



LOUDSPEAKER OR HORN



VARIABLE RESISTOR
RESISTANCE IS CHANGED
BY TEMPERATURE OR
PRESSURE



CONTROL/POWER ELECTRONICS



FUSIBLE LINK



LIGHT



DIODE
CURRENT CAN FLOW ONLY
IN DIRECTION OF ARROW



RADIO



CIRCUIT BREAKER



PERMANENT MAGNET MOTOR
ONE SPEED



ZENER DIODE
TO REGULATE VOLTAGE



TRANSISTORIZED SWITCH



THERMO SWITCH



PERMANENT MAGNET MOTOR
TWO SPEEDS



LIGHT EMITTING DIODE



INDUCTIVE SENSOR



SOLENOID



KNOCK SENSOR



OXYGEN SENSOR

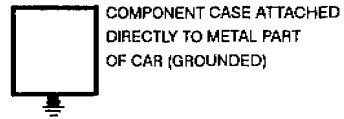
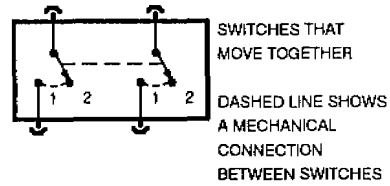
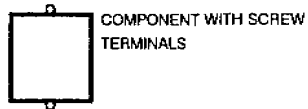
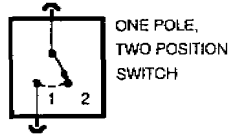
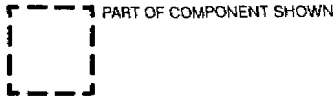
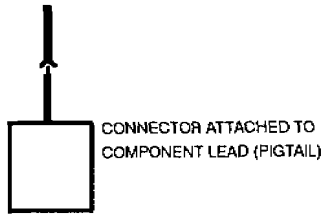


VEHICLE SPEED SENSOR

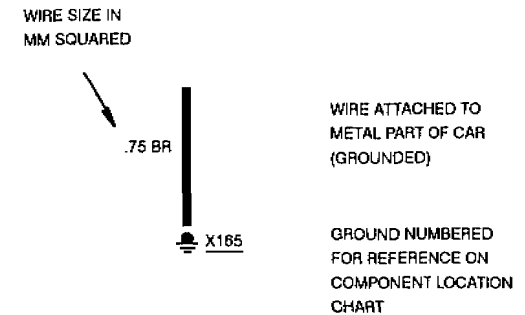
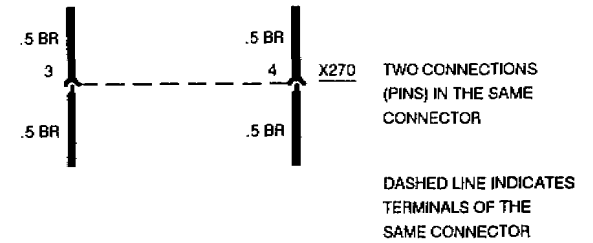
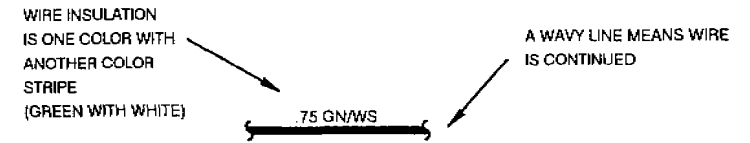
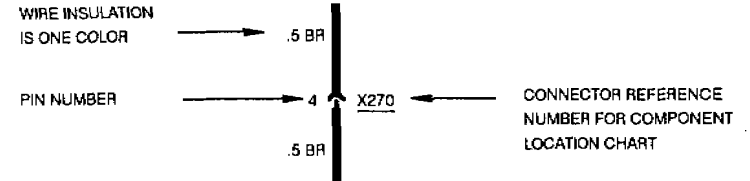
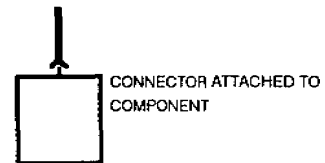


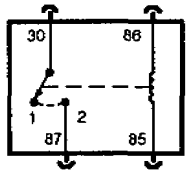
SOLENOID CONTROLLED VALVE
OR CLUTCH SOLENOID

SYMBOLS

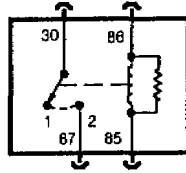


WIRE COLOR	
BL	BLUE
BR	BROWN
GE	YELLOW
GN	GREEN
GR	GRAY
OR	ORANGE
RS	PINK
RT	RED
SW	BLACK
VI	VIOLET
WS	WHITE
TR	TRANSPARENT

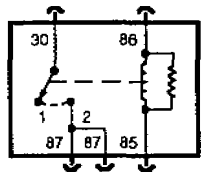




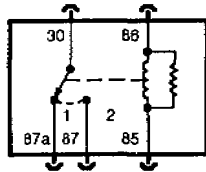
CONTACT RELAY



RELAY WITH RESISTOR ACROSS WINDING



CONTACT RELAY WITH TWO OUTPUTS



CHANGEOVER RELAY WITH TWO OUTPUTS

TERMINAL NUMBER DESCRIPTION

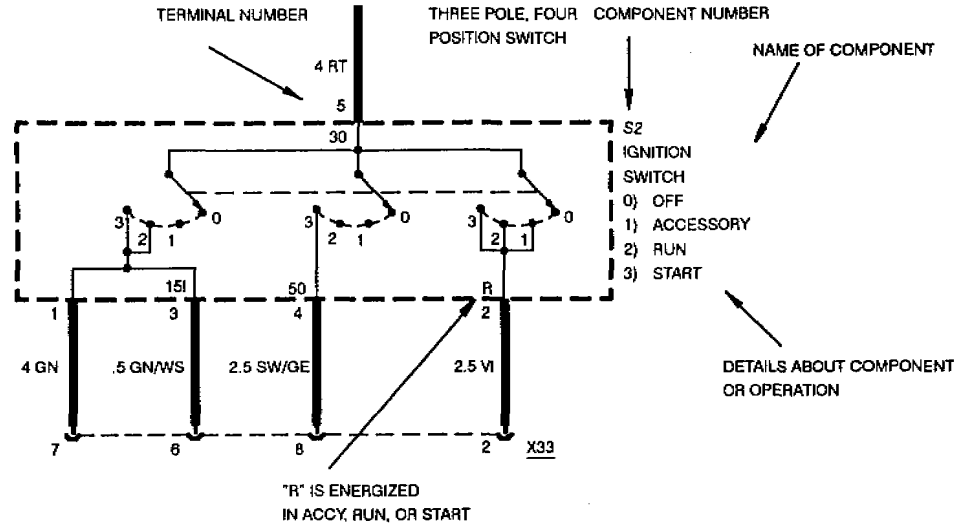
30 RELAY INPUT

85 RELAY OUTPUT (WINDING)

86 RELAY INPUT (WINDING)

87 RELAY OUTPUT (ENERGIZED)

87a RELAY OUTPUT (AT REST)



TERMINAL NUMBER	DESCRIPTION	TERMINAL NUMBER	DESCRIPTION
50	VOLTAGE: IGNITION SWITCH IN START	15f	VOLTAGE: IGNITION SWITCH IN RUN
30	VOLTAGE: SUPPLIED AT ALL TIMES	R	VOLTAGE: IGNITION SWITCH IN ACCESSORY, RUN OR START
15	VOLTAGE: IGNITION SWITCH IN RUN OR START	31	GROUND

HDT AT ALL TIMES



INDICATES THAT FUSE 9 IS SUPPLIED WITH POWER AT ALL TIMES

POWER STATUS

HDT AT ALL TIMES

HDT IN RUN AND START

HDT IN ACCY, RUN AND START

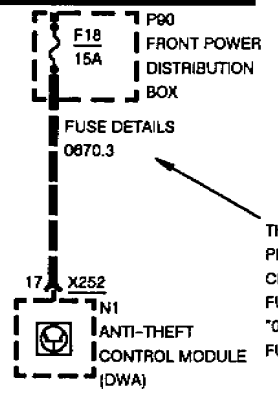
DESCRIPTION

VOLTAGE: SUPPLIED AT ALL TIMES

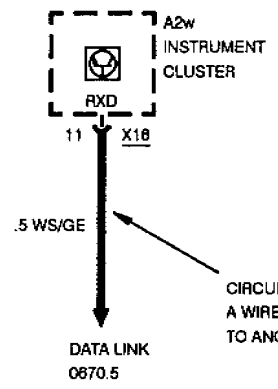
VOLTAGE: IGNITION SWITCH IN RUN OR START

VOLTAGE: IGNITION SWITCH IN ACCESSORY, RUN OR START

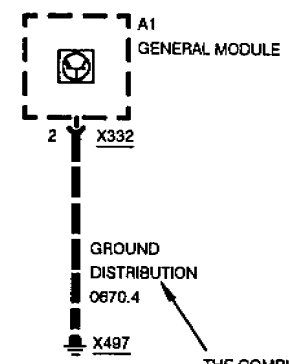
HDT IN ADDY, RUN AND START



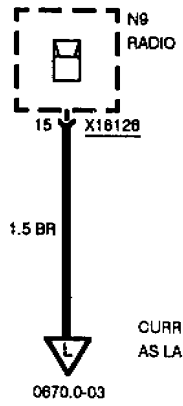
THE COMPLETE WIRE PROGRESSION AND FURTHER CIRCUITS CONNECTED TO FUSE 18 ARE SHOWN IN CELL "0670.3 FUSE DETAILS" AT FUSE 18



CIRCUIT REFERENCE- A WIRE WHICH CONNECTS TO ANOTHER CIRCUIT



THE COMPLETE WIRE PROGRESSION AND FURTHER CIRCUITS CONNECTED TO GROUND X497 ARE SHOWN IN CELL "0670.4 GROUND DISTRIBUTION" AT GROUND X497

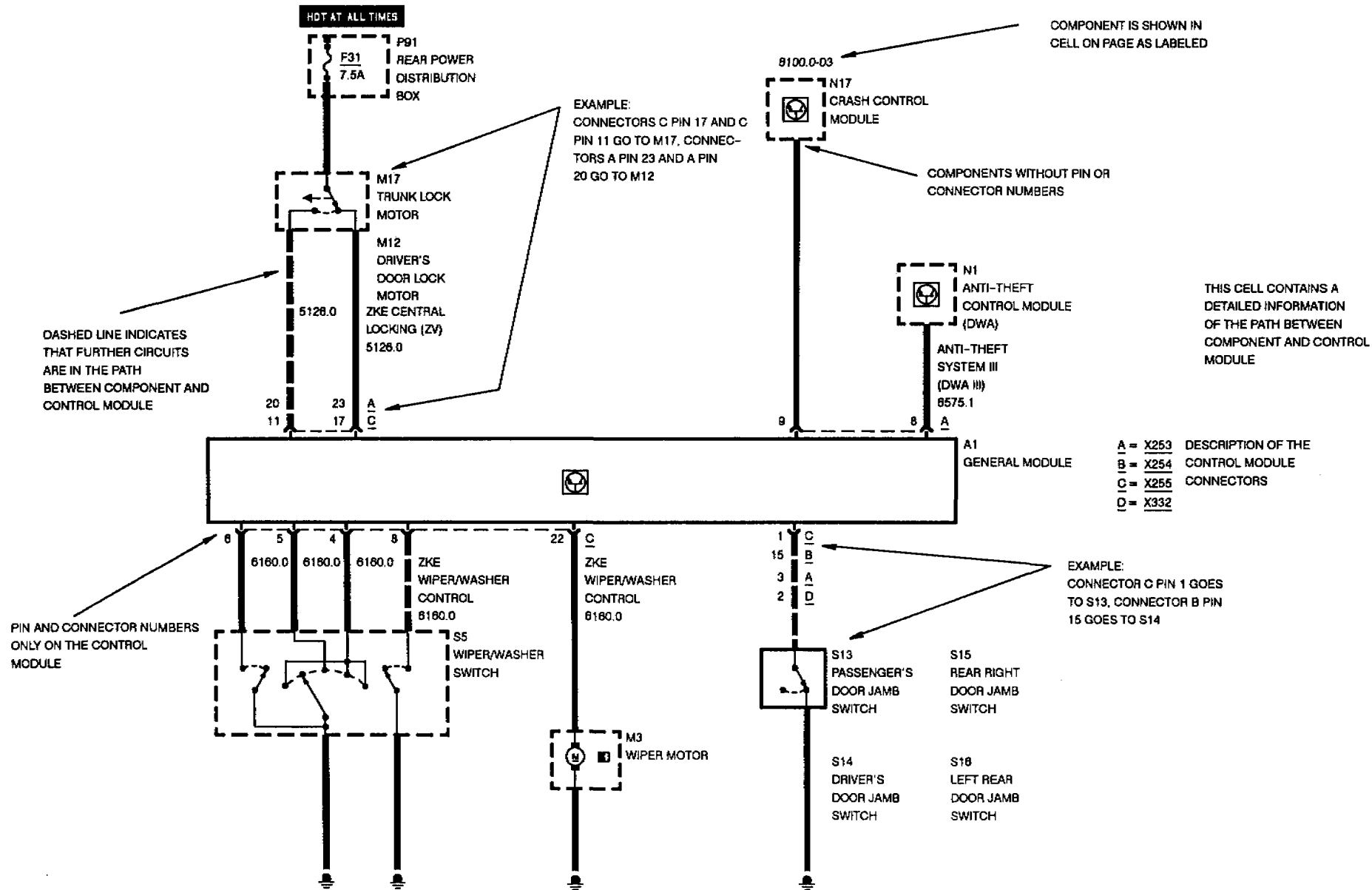


CURRENT PATH IS CONTINUED AS LABELED



ARROW SHOWS DIRECTION OF CURRENT FLOW AND IS REPEATED WHERE CURRENT PATH CONTINUES

BMW
3 **SYMBOLS**
BLOCK DIAGRAM



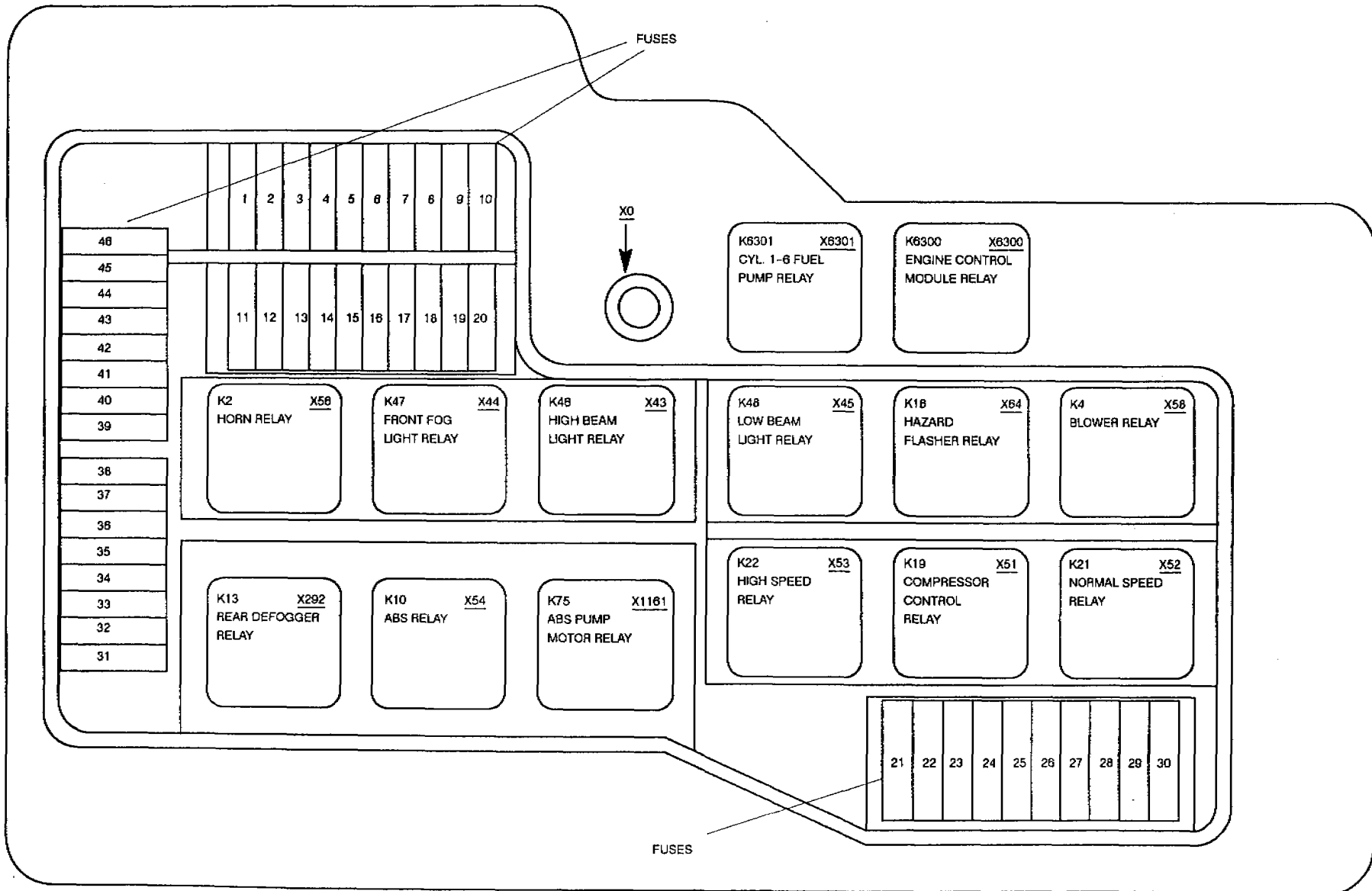
BMW
3

0670.0



POWER DISTRIBUTION CHART

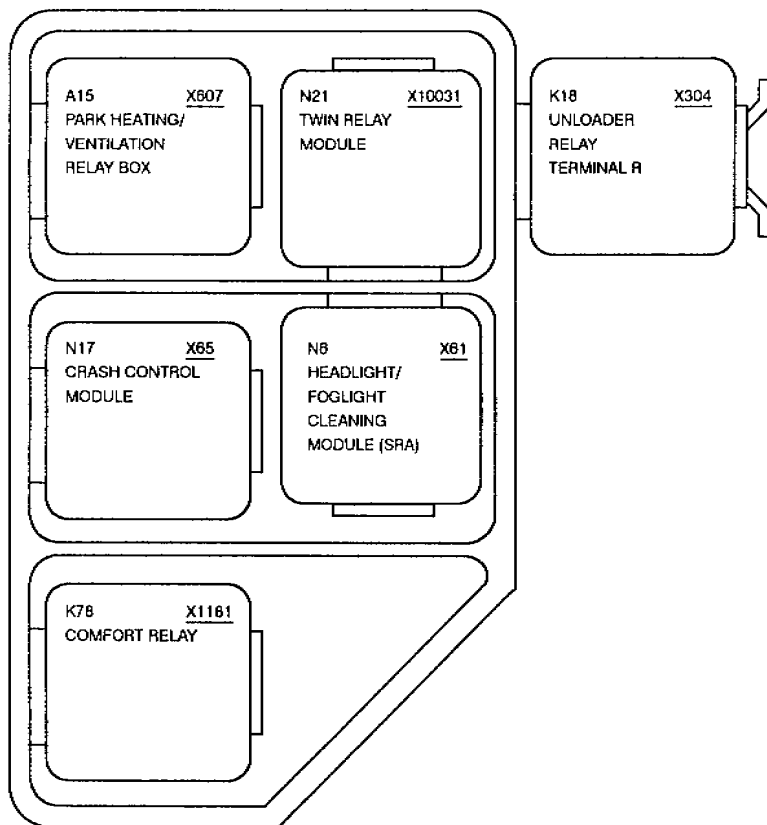
FRONT POWER DISTRIBUTION BOX





POWER DISTRIBUTION CHART

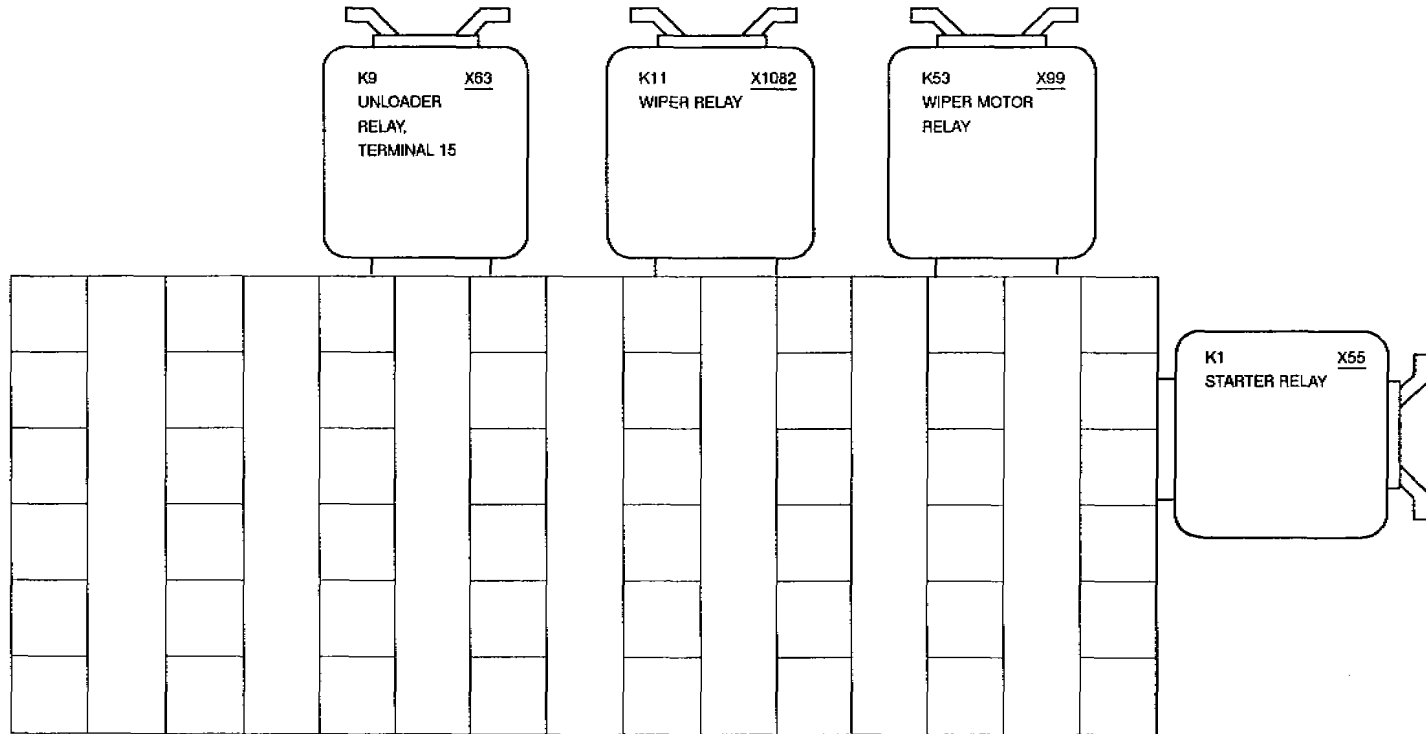
RELAY PANEL UNDER LH SIDE OF DASHBOARD





POWER DISTRIBUTION CHART

SPLICE PANEL UNDER LH SIDE OF DASHBOARD



BMW
3

0670.1



FUSE CHART

FUSES 1 TO 29

		FUSE NUMBER																													
		1	2	3	4	5	6	7	8	9	10	11	12	13	14	15	16	17	18	19	20	21	22	23	24	25	26	27	28	29	
		30A		30A	15A	30A	20A	5A	15A	20A	30A	7.5A	7.5A	5A	30A	5A	5A		15A	15A	30A	5A	5A	5A	10A	5A	15A	5A	5A	7.5A	
1210.7	ENGINE CONTROL SYSTEM (DME M3.1, 6-CYLINDER M50)																●		●											●	
1210.9	ENGINE CONTROL SYSTEM (DME M1.7, 4-CYLINDER M42)																			●											
1230.0	CHARGING SYSTEM																														
1240.0	START																														●
2460.2	ELECTRONIC TRANSMISSION CONTROL (EGS A4S 310R)																											●		●	
3234.0	SUPPLEMENTAL RESTRAINT SYSTEM (AIR BAG)																														
3450.0	SLIP CONTROL (ABS)										●											●							●		
5116.0	POWER MIRRORS																									●					
5126.2	CENTRAL LOCKING MODULE II (ZVM II)							●																							
5133.1	POWER WINDOWS (FH)													●	●																
5200.0	POWER SEATS					●																	●								
5203.0	HEATED SEATS			●																				●							
5410.1	POWER SUN ROOF (SHD)	●												●																	
6133.0	HORN								●											●											
6160.1	WIPER/ WASHER MODULE (WWM)																														
6167.1	HEADLIGHT WASHER (SRA)			●																											
6211.0	INSTRUMENT CLUSTER																														
6213.2	MULTI-FUNCTION CLOCK																								●				●		
6300.0	LIGHT SWITCH DETAILS																								●			●			



FUSE CHART

FUSES 1 TO 29

		FUSE NUMBER																													
		1	2	3	4	5	6	7	8	9	10	11	12	13	14	15	16	17	18	19	20	21	22	23	24	25	26	27	28	29	
		30A		30A	15A	30A	20A	5A	15A	20A	30A	7.5A	7.5A	5A	30A	15A	5A		15A	15A	30A	5A	5A	5A	10A	5A	15A	5A	5A	7.5A	
6312.0	HEADLIGHTS/ FOG LIGHTS											●	●			●							●	●			●				●
6313.0	TURN/HAZARD LIGHTS																								●						
6314.0	PARK/TAIL LIGHTS																							●							
6320.0	LICENSE PLATE/ LUGGAGE COMPARTMENT LIGHTS																														
6322.0	BACK UP LIGHTS																														
6325.0	BRAKE LIGHTS																														
6330.3	INTERIOR LIGHTS																														
6332.1	GLOVE BOX LIGHT/CASSETTE BOX/ASHTRAY LIGHT/ CHARGING SOCKET/CIGAR LIGHTER																														
6350.0	CRASH CONTROL MODULE												●	●																	
6412.5	PARK VENTILATION WITH IHKR																														
6424.0	REAR WINDOW DEFOGGER						●																								
6450.4	INTEGRATED CLIMATE REGULATION (IHKR E36)																														
6510.0	RADIO/STEREO																														
6510.1	RADIO/HIFI																														
6561.0	CELLULAR TELEPHONE (PROVISIONS)																														
6571.0	CRUISE CONTROL (TEMPOMAT)																														
6575.2	ANTI-THEFT SYSTEM (ALPINE)																														
6581.2	ON-BOARD COMPUTER (BC V)																														



FUSE CHART

FUSE 30 TO 46

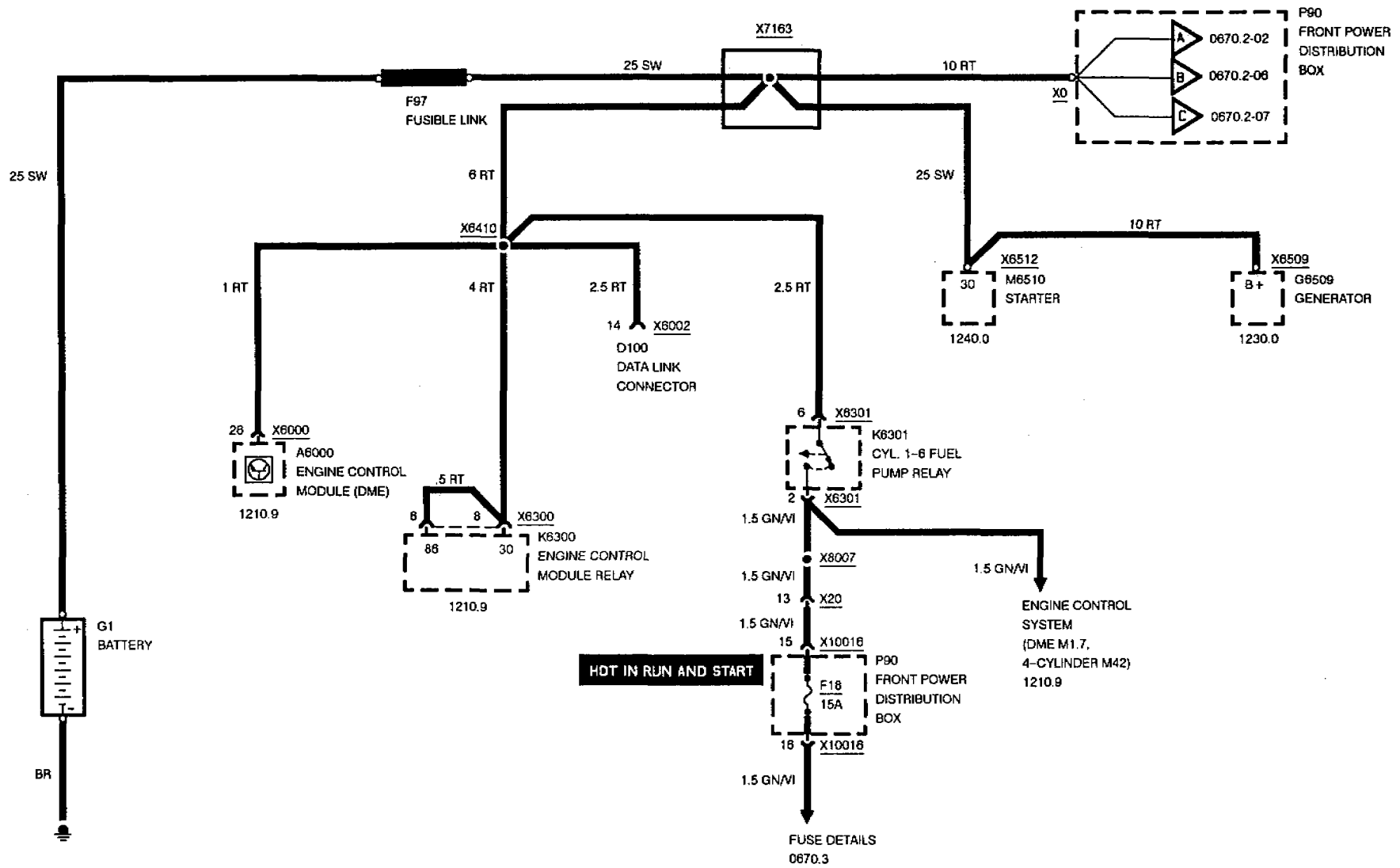
		FUSE NUMBER															
		30	31	32	33	34	35	36	37	38	39	40	41	42	43	44	45
		7.5A	5A	30A	10A	15A	25A	30A	10A	30A	7.5A	30A	30A	5A	15A	7.5A	15A
1210.7	ENGINE CONTROL SYSTEM (DME M3.1, 6-CYLINDER M50)																
1210.9	ENGINE CONTROL SYSTEM (DME M1.7, 4-CYLINDER M42)																
1230.0	CHARGING SYSTEM																
1240.0	START																
2460.2	ELECTRONIC TRANSMISSION CONTROL (EGS A4S 310R)																●
3234.0	SUPPLEMENTAL RESTRAINT SYSTEM (AIR BAG)																●
3450.0	SLIP CONTROL (ABS)									●							●
5116.0	POWER MIRRORS																
5126.2	CENTRAL LOCKING MODULE II (ZVM II)						●							●			
5133.1	POWER WINDOWS (FH)																
5200.0	POWER SEATS										●						
5203.0	HEATED SEATS																
5410.1	POWER SUN ROOF (SHD)																
6133.0	HORN																
6160.1	WIPER/ WASHER MODULE (WWM)							●	●						●	●	
6167.1	HEADLIGHT WASHER (SRA)																
6211.0	INSTRUMENT CLUSTER		●														●
6213.2	MULTI-FUNCTION CLOCK		●													●	●
6300.0	LIGHT SWITCH DETAILS				●				●								



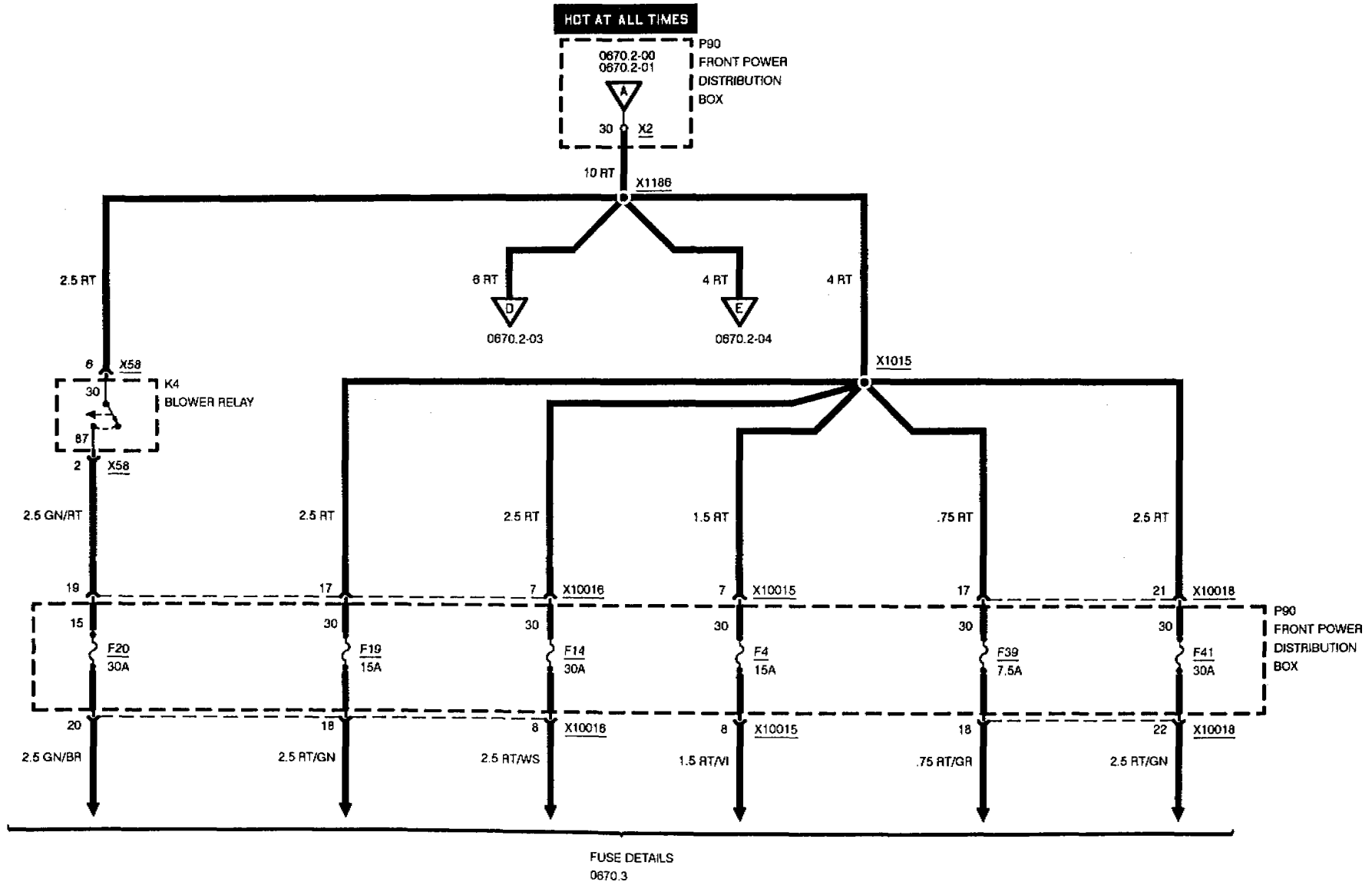
FUSE CHART

FUSE 30 TO 46

	FUSE NUMBER																
	30	31	32	33	34	35	36	37	38	39	40	41	42	43	44	45	46
	7.5A	5A	30A	10A	15A	25A	30A	10A	30A	7.5A	30A	30A		5A	15A	7.5A	15A
6312.0 HEADLIGHTS/ FOG LIGHTS	●																
6313.0 TURN/HAZARD LIGHTS					●												
6314.0 PARK/TAIL LIGHTS				●				●									
6320.0 LICENSE PLATE/ LUGGAGE COMPARTMENT LIGHTS																	
6322.0 BACK UP LIGHTS																	
6325.0 BRAKE LIGHTS																●	
6330.3 INTERIOR LIGHTS				●										●			
6332.1 GLOVE BOX LIGHT/CASSETTE BOX/ASHTRAY LIGHT/ CHARGING SOCKET/CIGAR LIGHTER			●	●				●							●		
6350.0 CRASH CONTROL MODULE					●												
6412.5 PARK VENTILATION WITH IHKR																	
6424.0 REAR WINDOW DEFOGGER																	
6450.4 INTEGRATED CLIMATE REGULATION (IHKR E36)		●						●		●		●					
6510.0 RADIO/STEREO															●		
6510.1 RADIO/HIFI															●		
6561.0 CELLULAR TELEPHONE (PROVISIONS)				●										●			
6571.0 CRUISE CONTROL (TEMPOMAT)																●	
6575.2 ANTI-THEFT SYSTEM (ALPINE)				●											●		
6581.2 ON-BOARD COMPUTER (BC V)		●		●				●								●	●

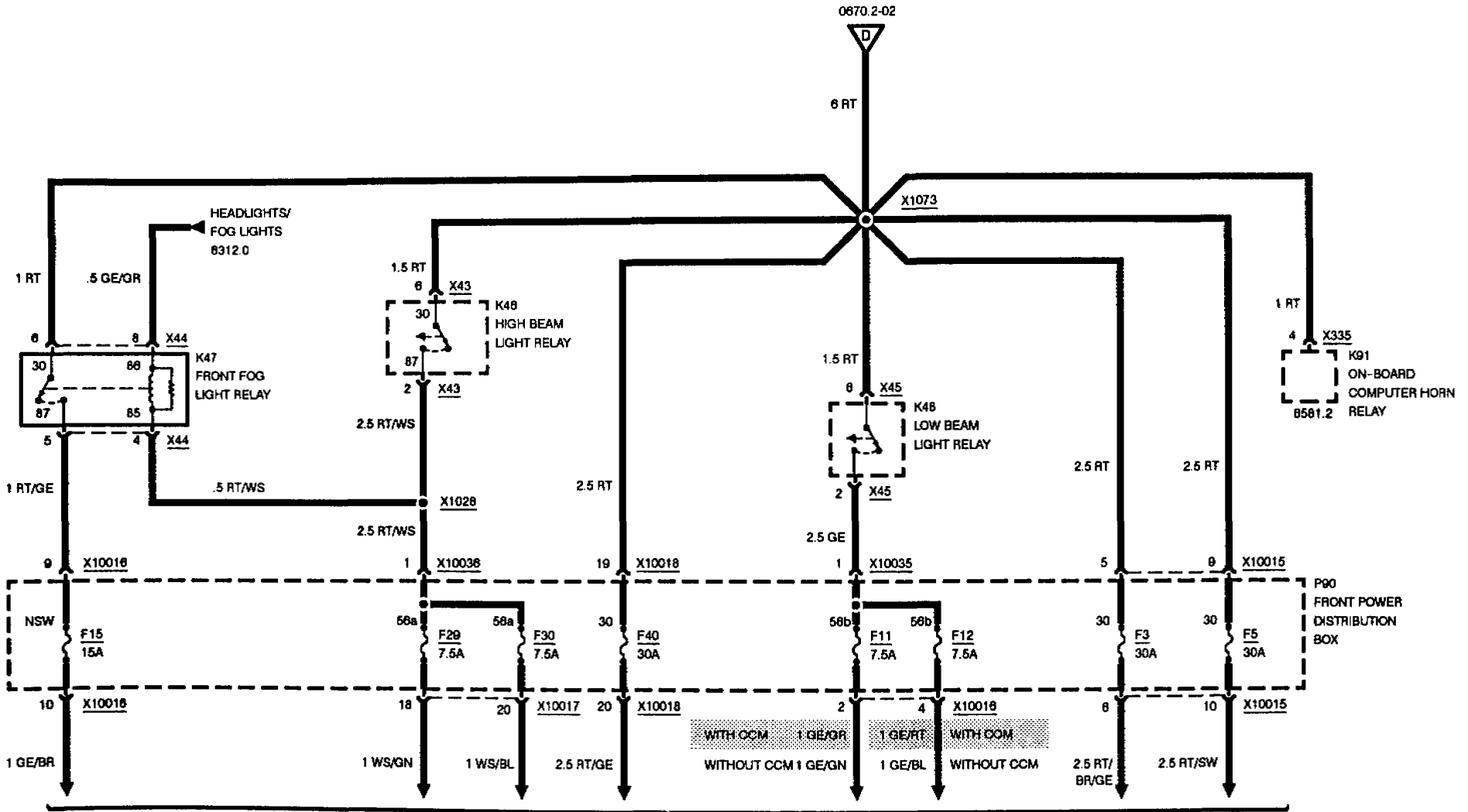


POWER DISTRIBUTION

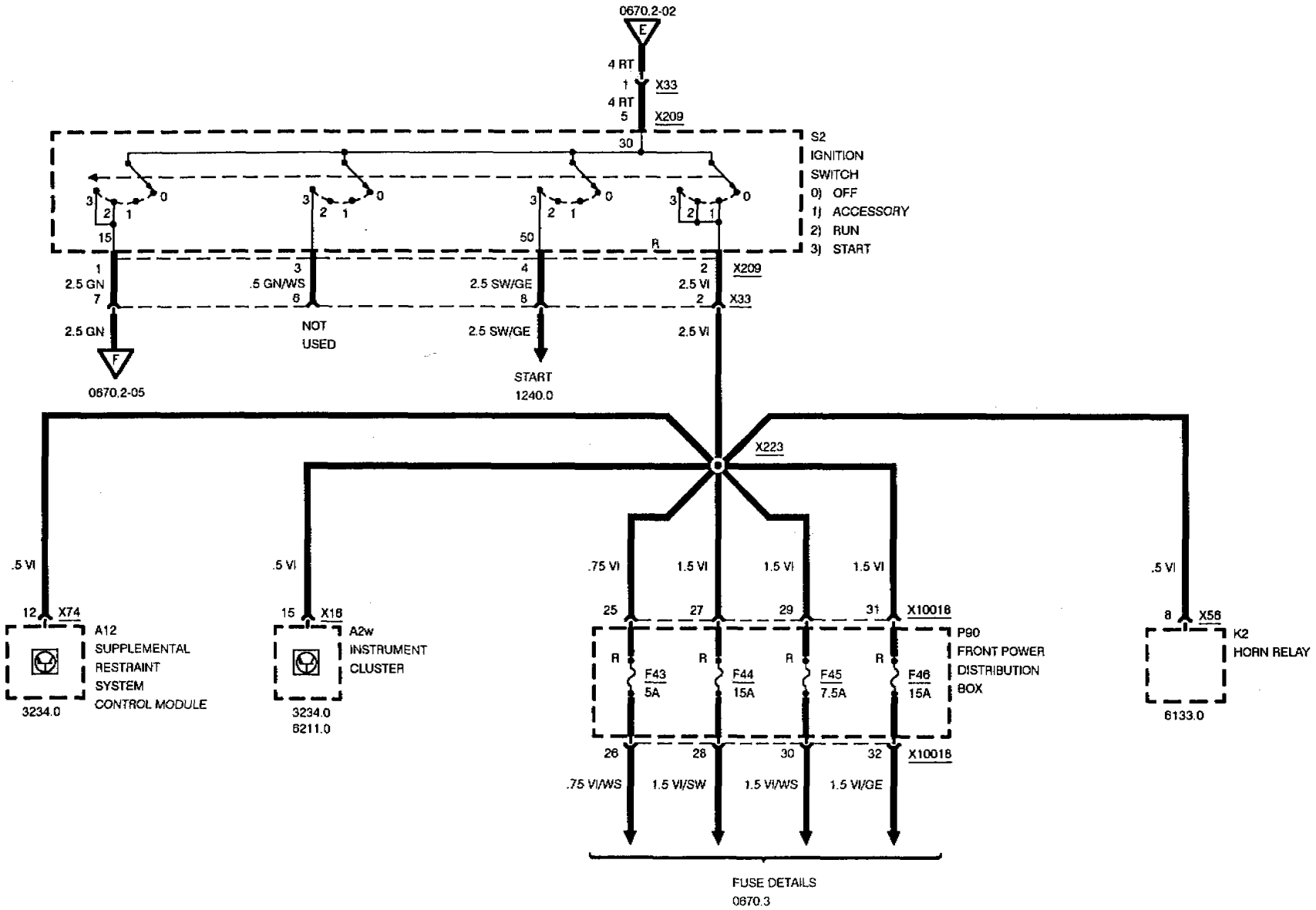




POWER DISTRIBUTION

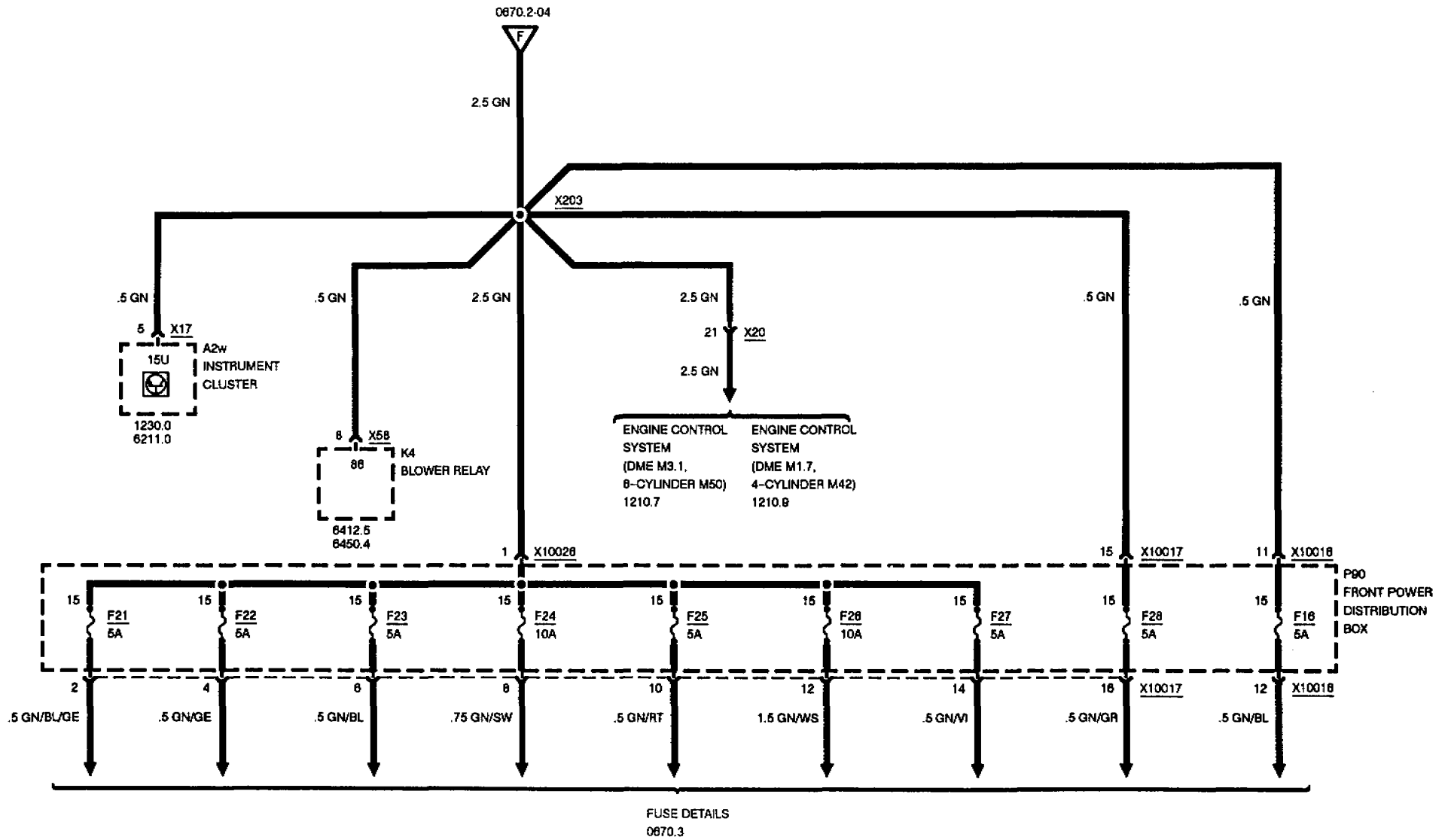


FUSE DETAILS
0670.3

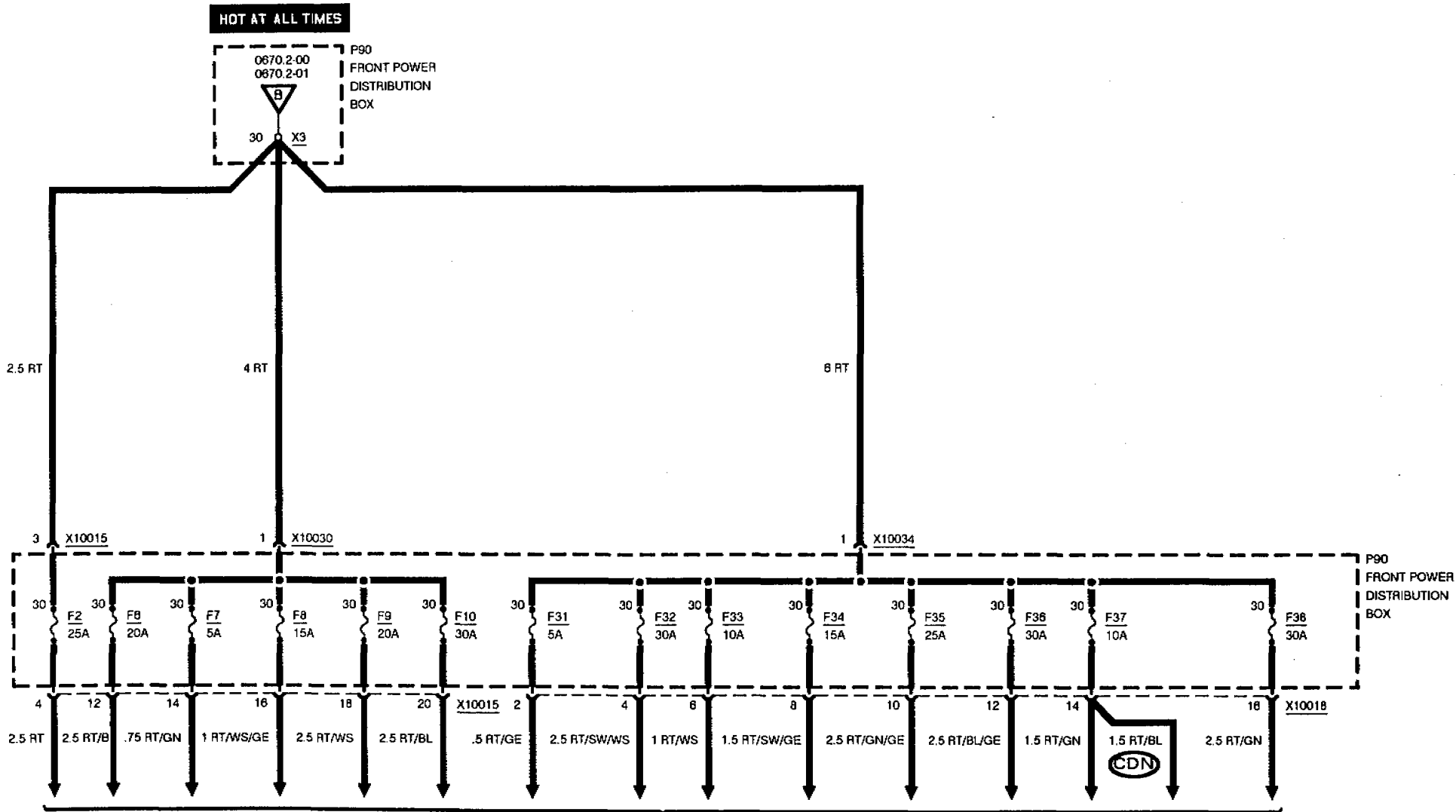




POWER DISTRIBUTION

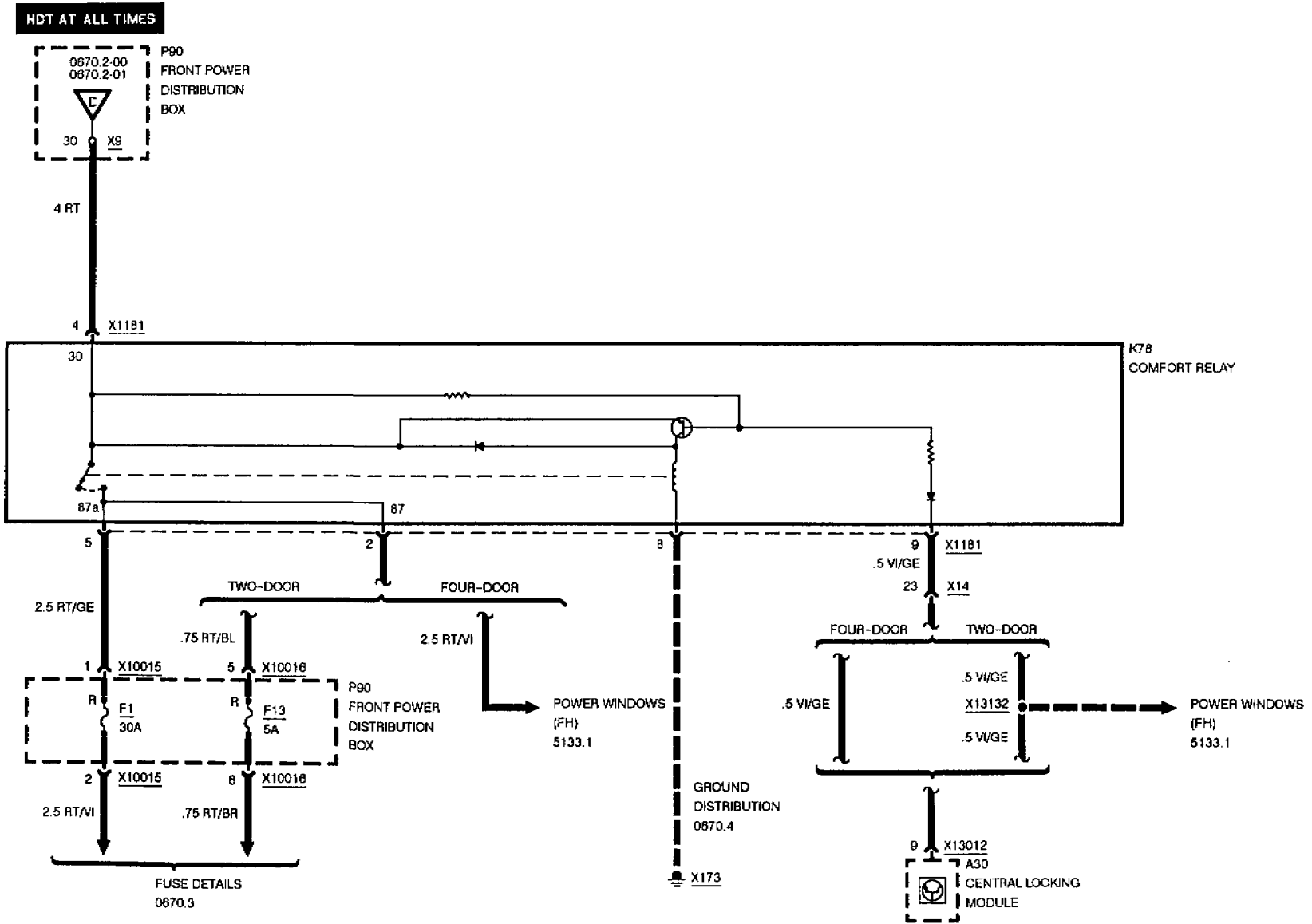


POWER DISTRIBUTION



FUSE DETAILS
0670.3

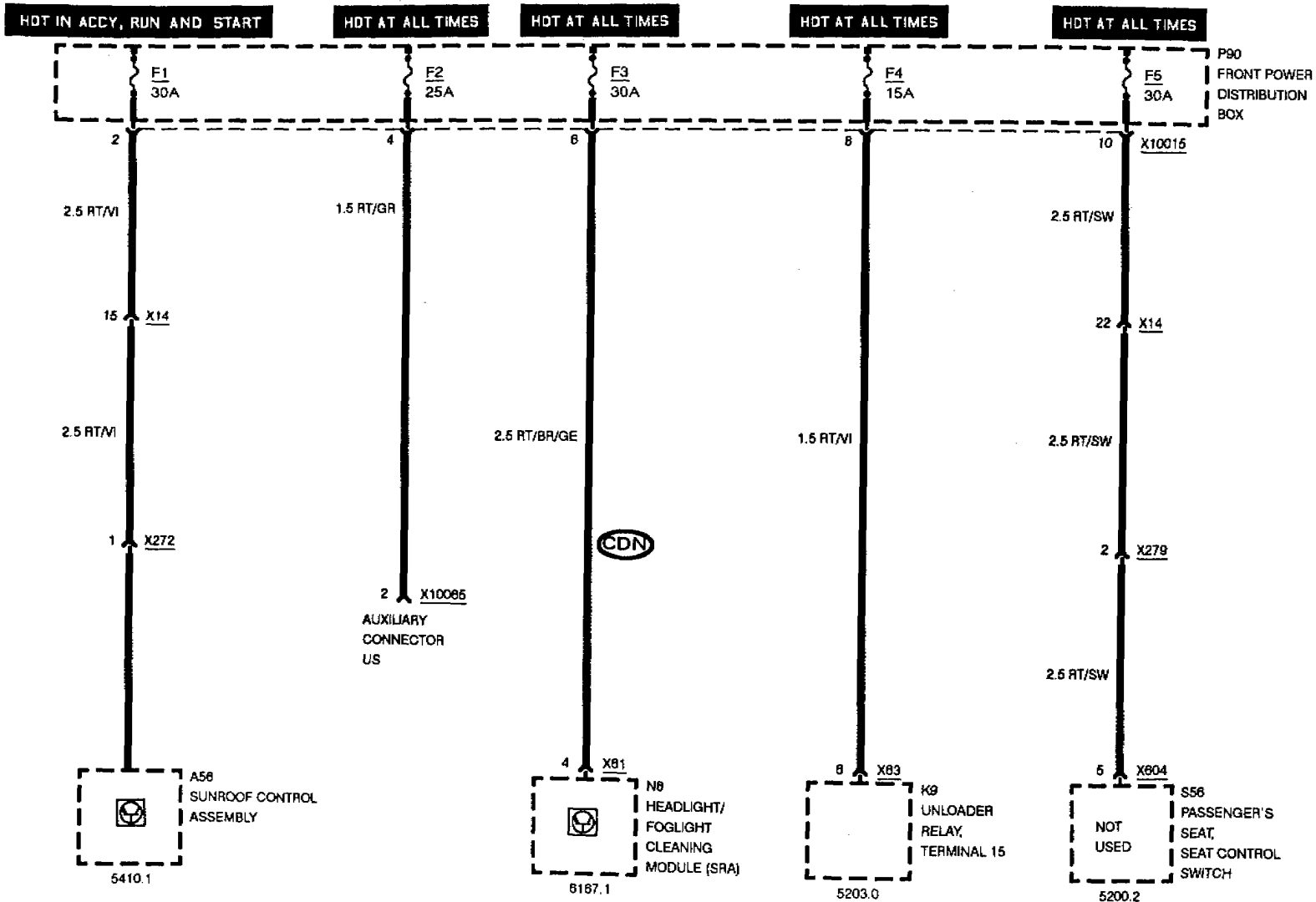
POWER DISTRIBUTION





FUSE DETAILS

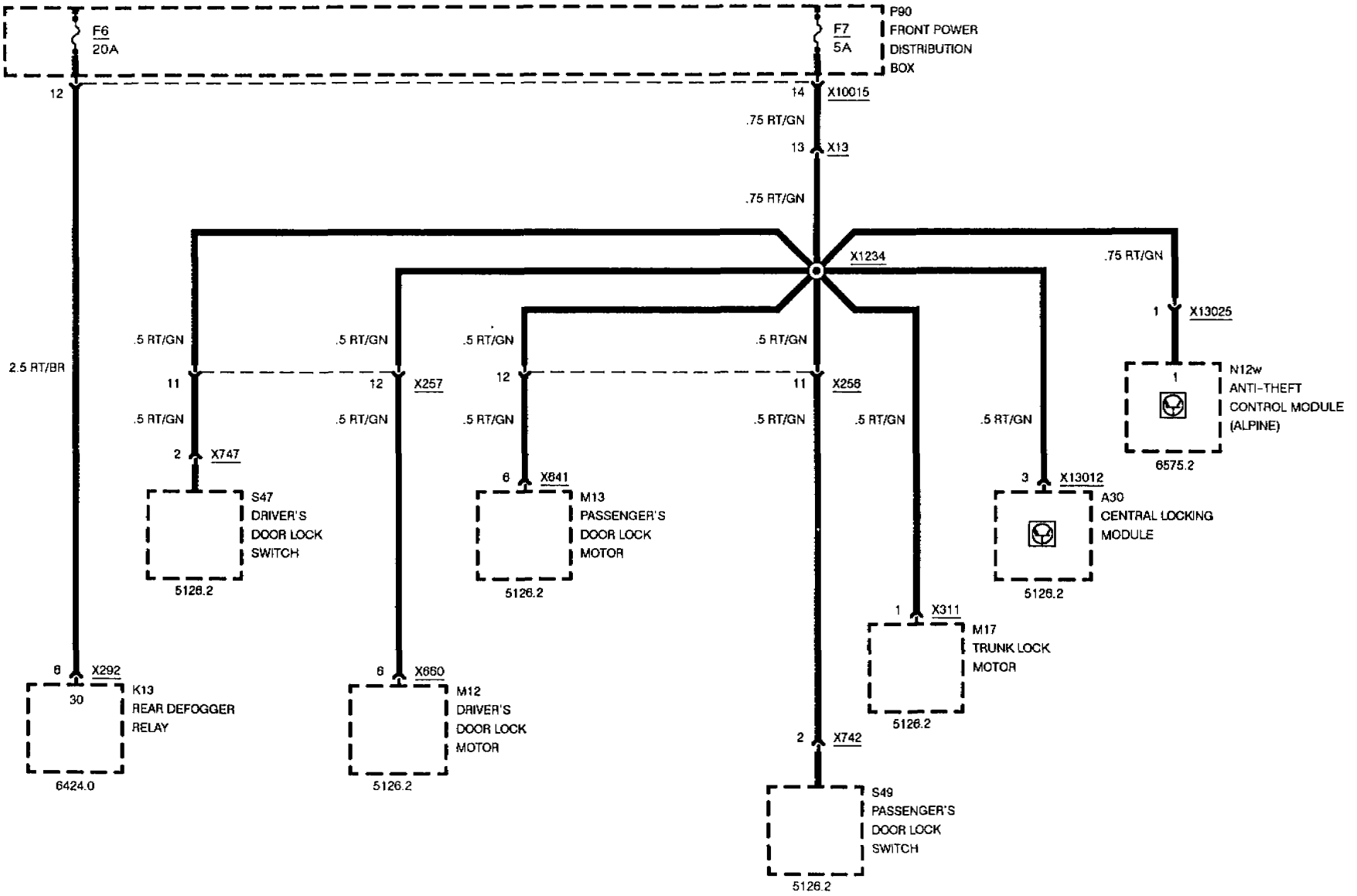
FUSES 1, 2, 3, 4, AND 5



BMW
3 **FUSE DETAILS**
FUSES 6 AND 7

HOT AT ALL TIMES

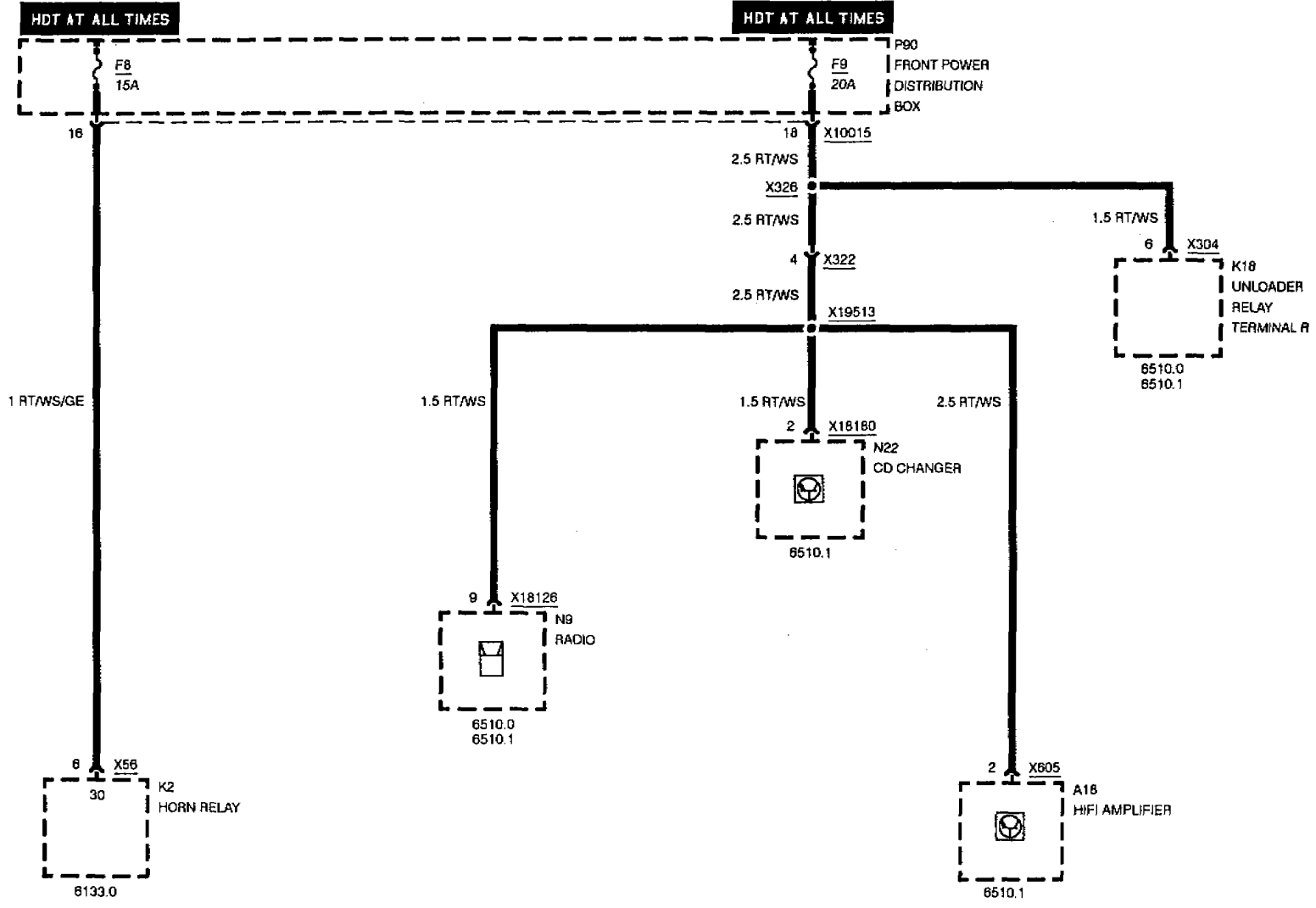
HDT AT ALL TIMES





FUSE DETAILS

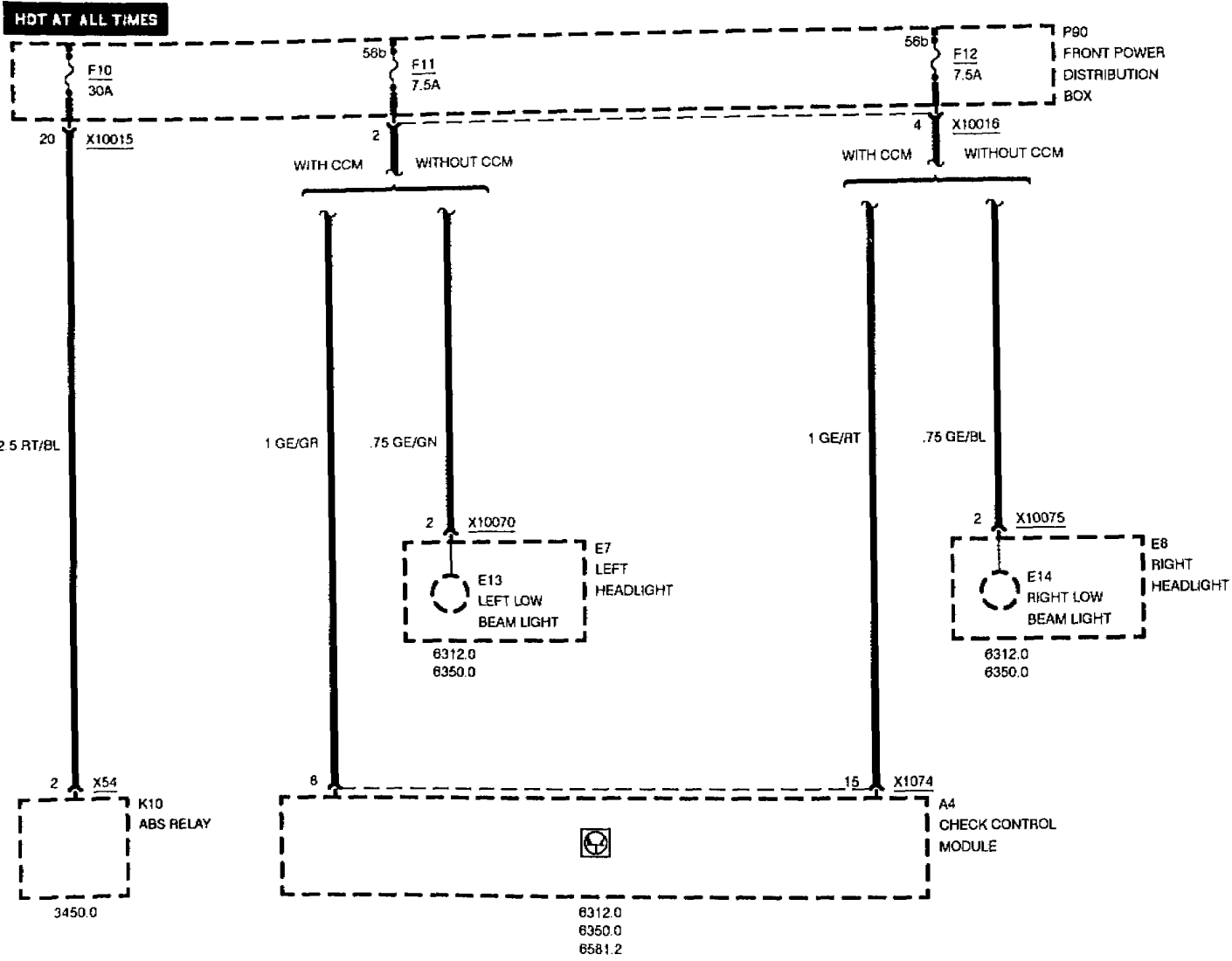
FUSES 8 AND 9





FUSE DETAILS

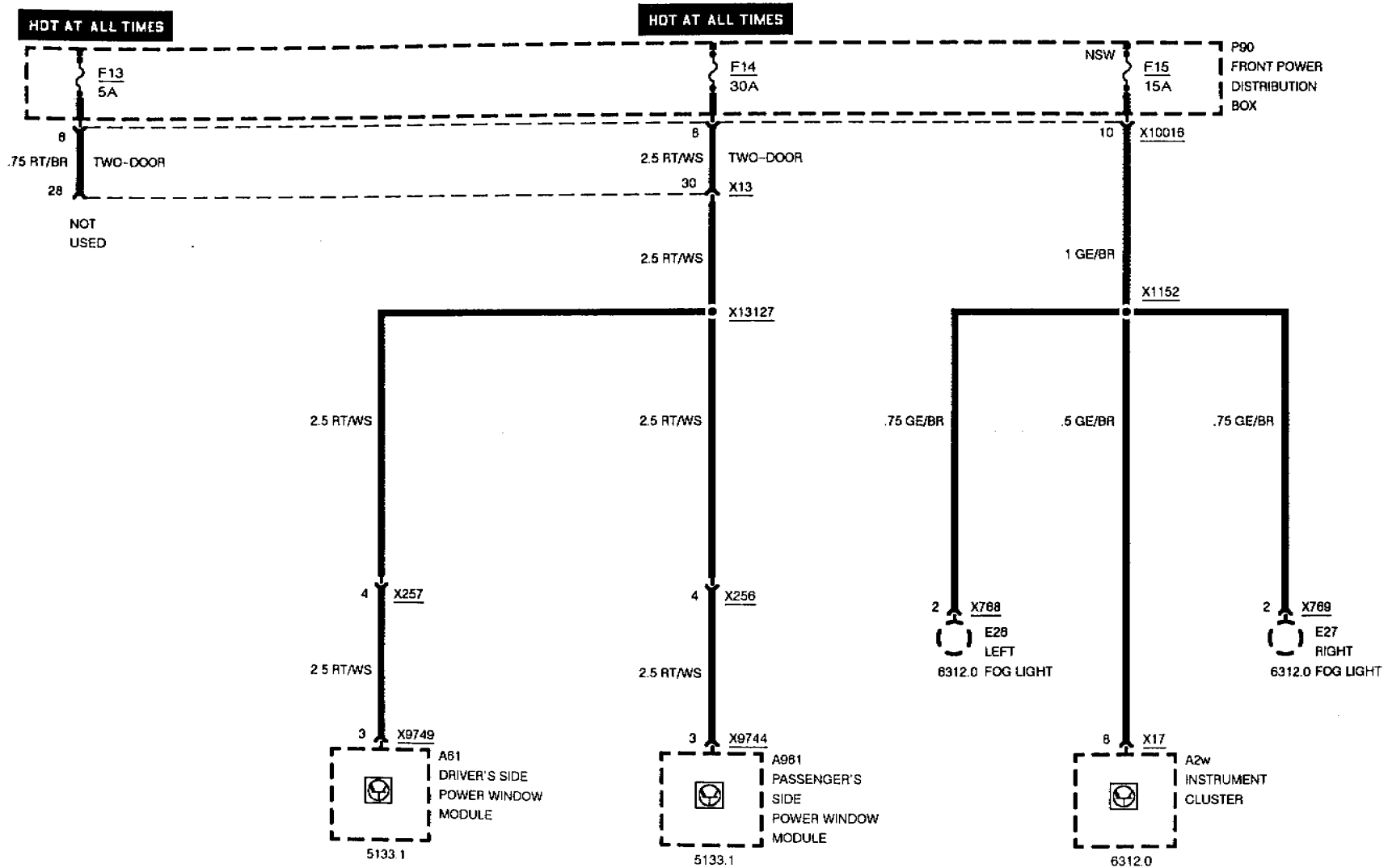
FUSES 10, 11, AND 12





FUSE DETAILS

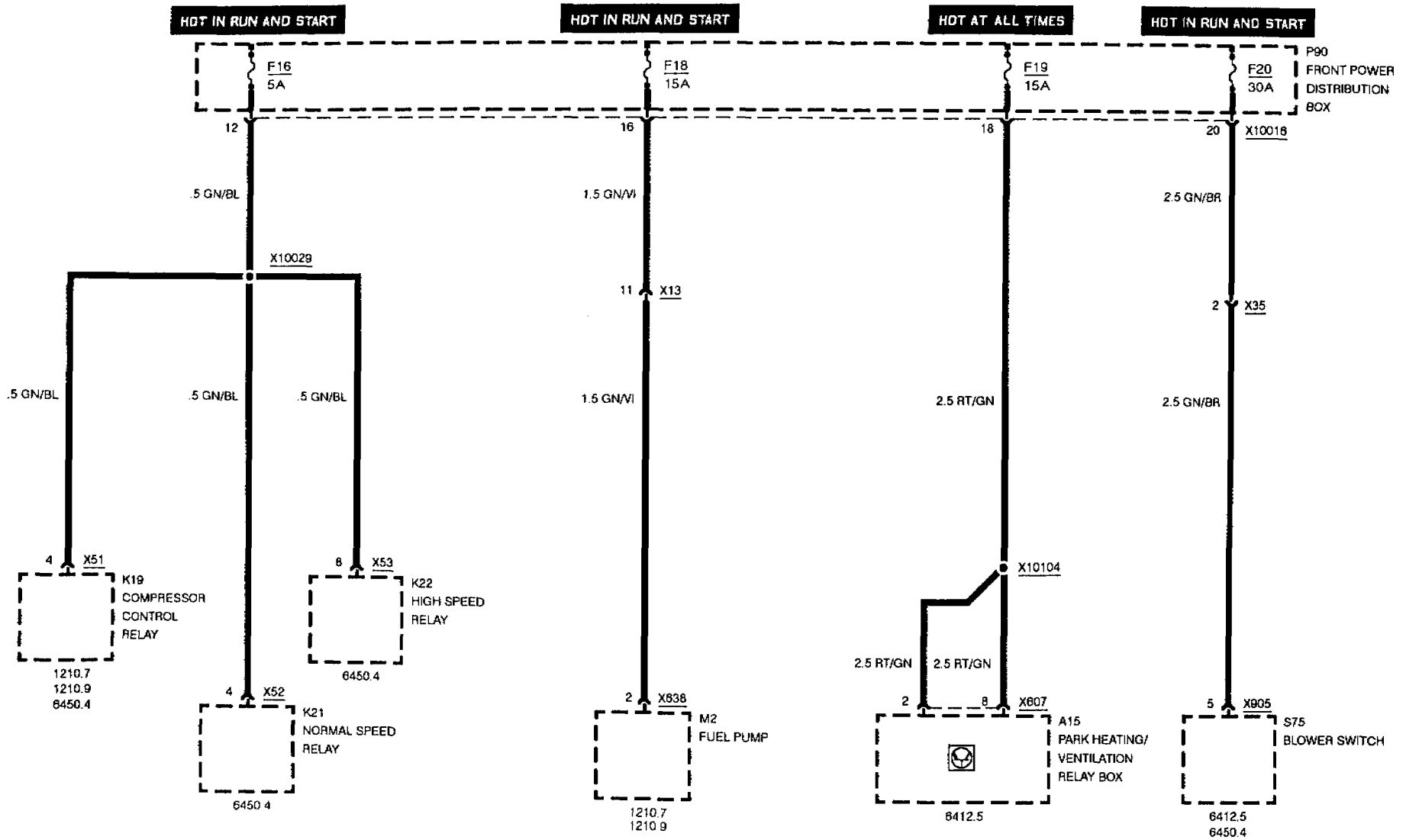
FUSES 13, 14, AND 15



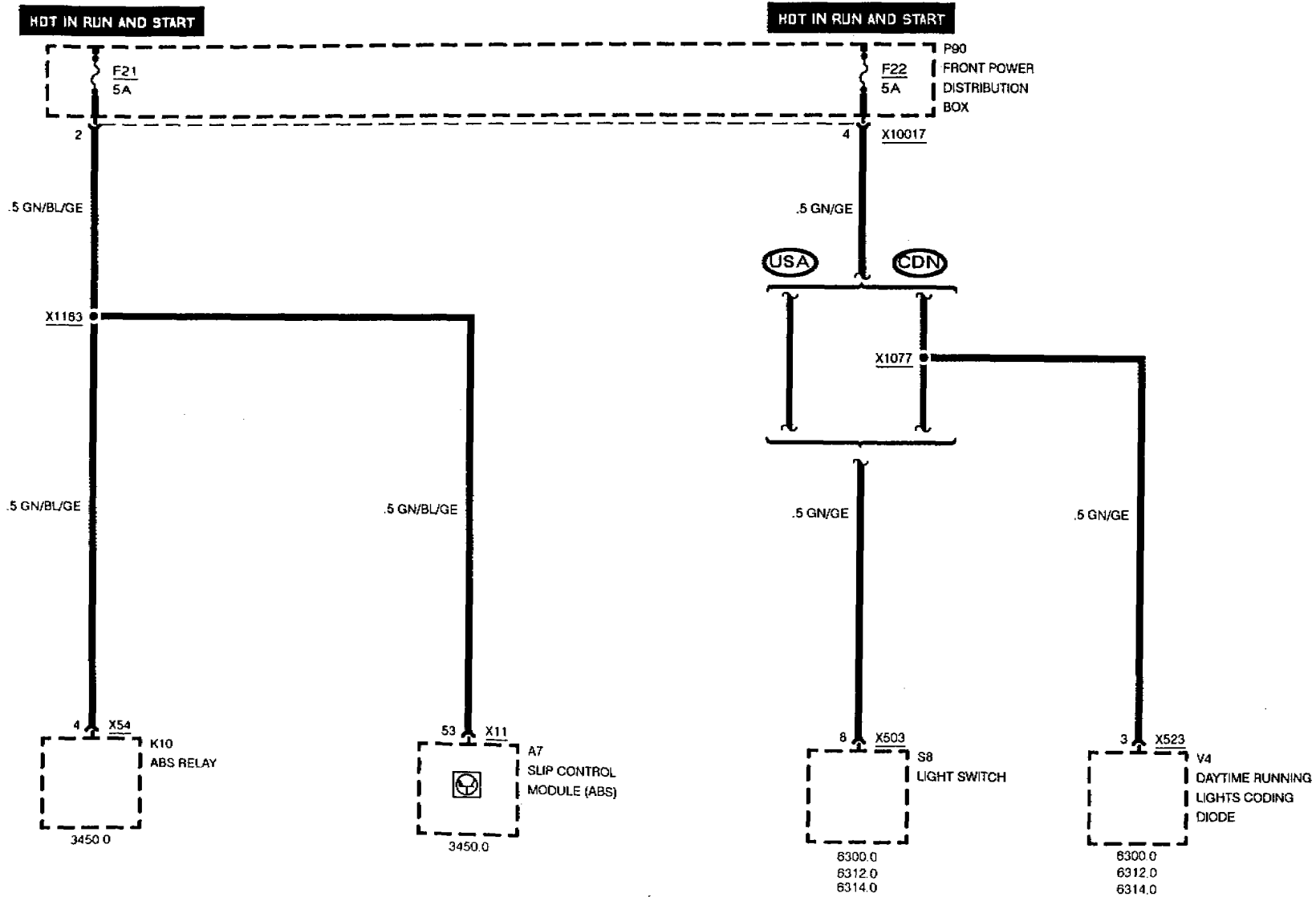


FUSE DETAILS

FUSES 16, 18, 19, AND 20



BMW
3 **FUSE DETAILS**
FUSES 21 AND 22





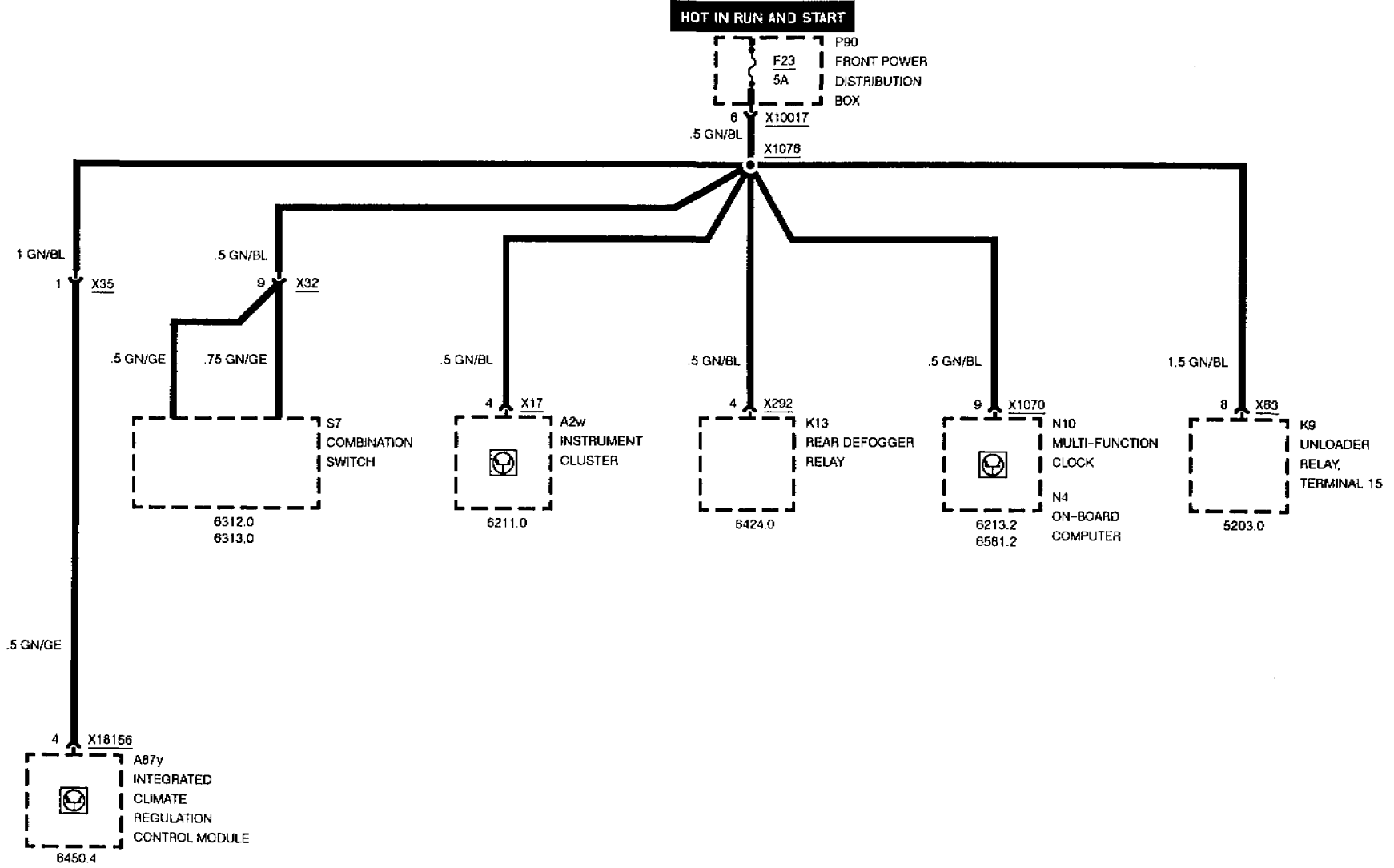
FUSE DETAILS

FUSE 23

11/92

0670.3-07

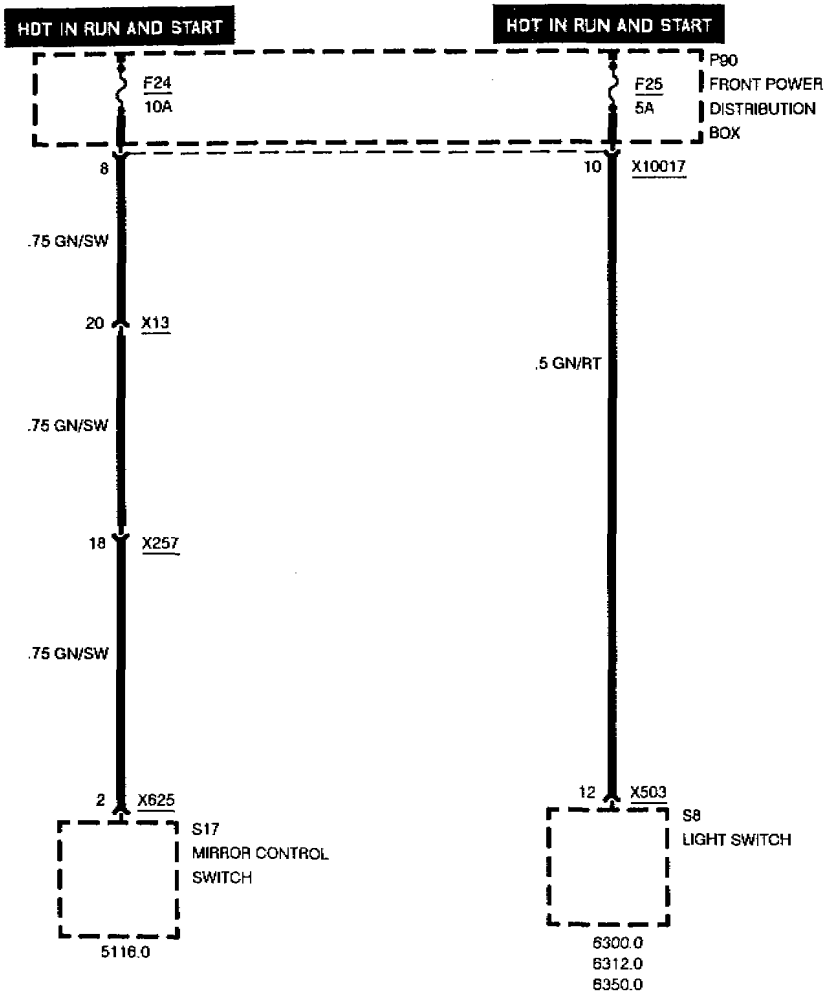
1992





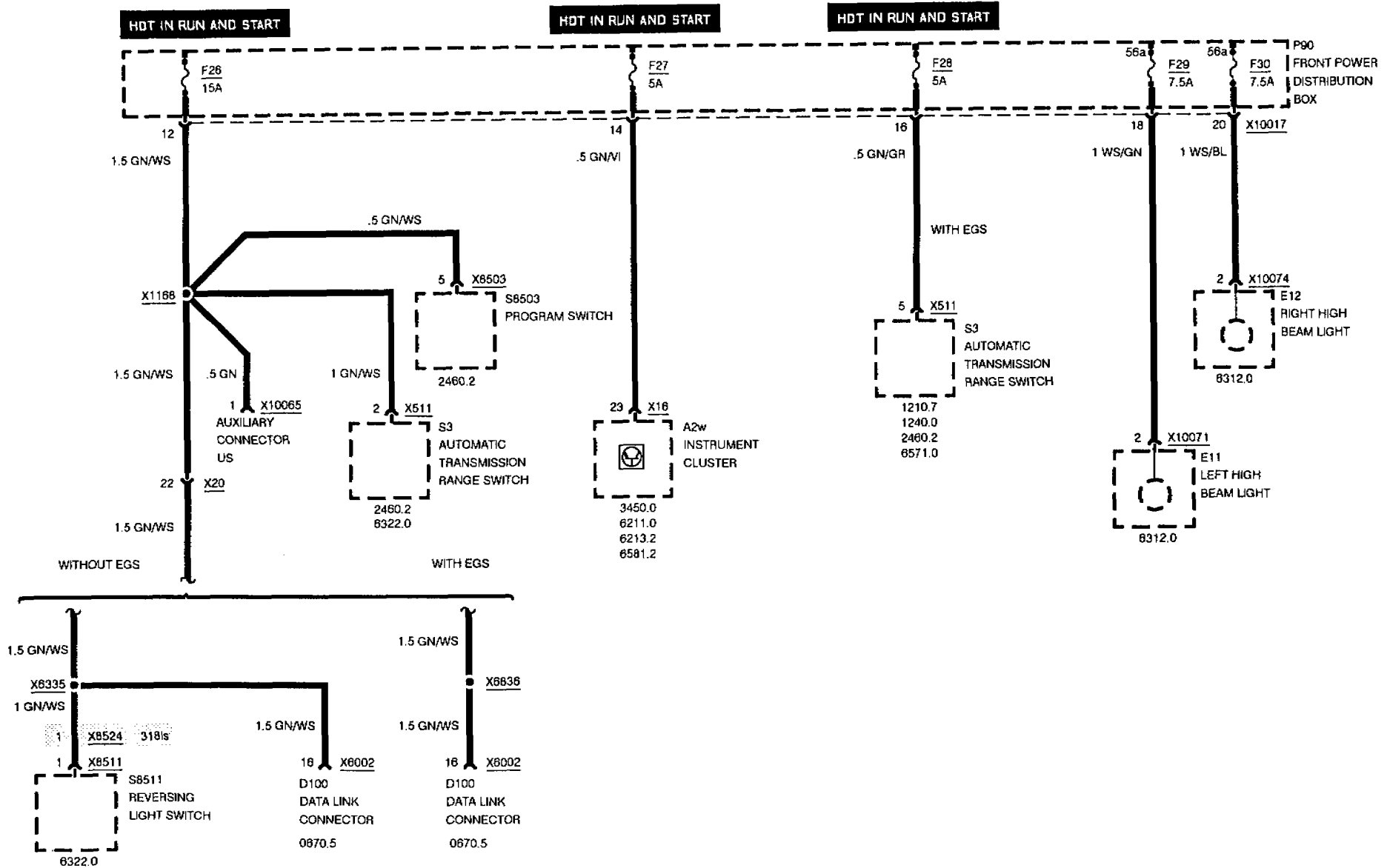
FUSE DETAILS

FUSES 24 AND 25



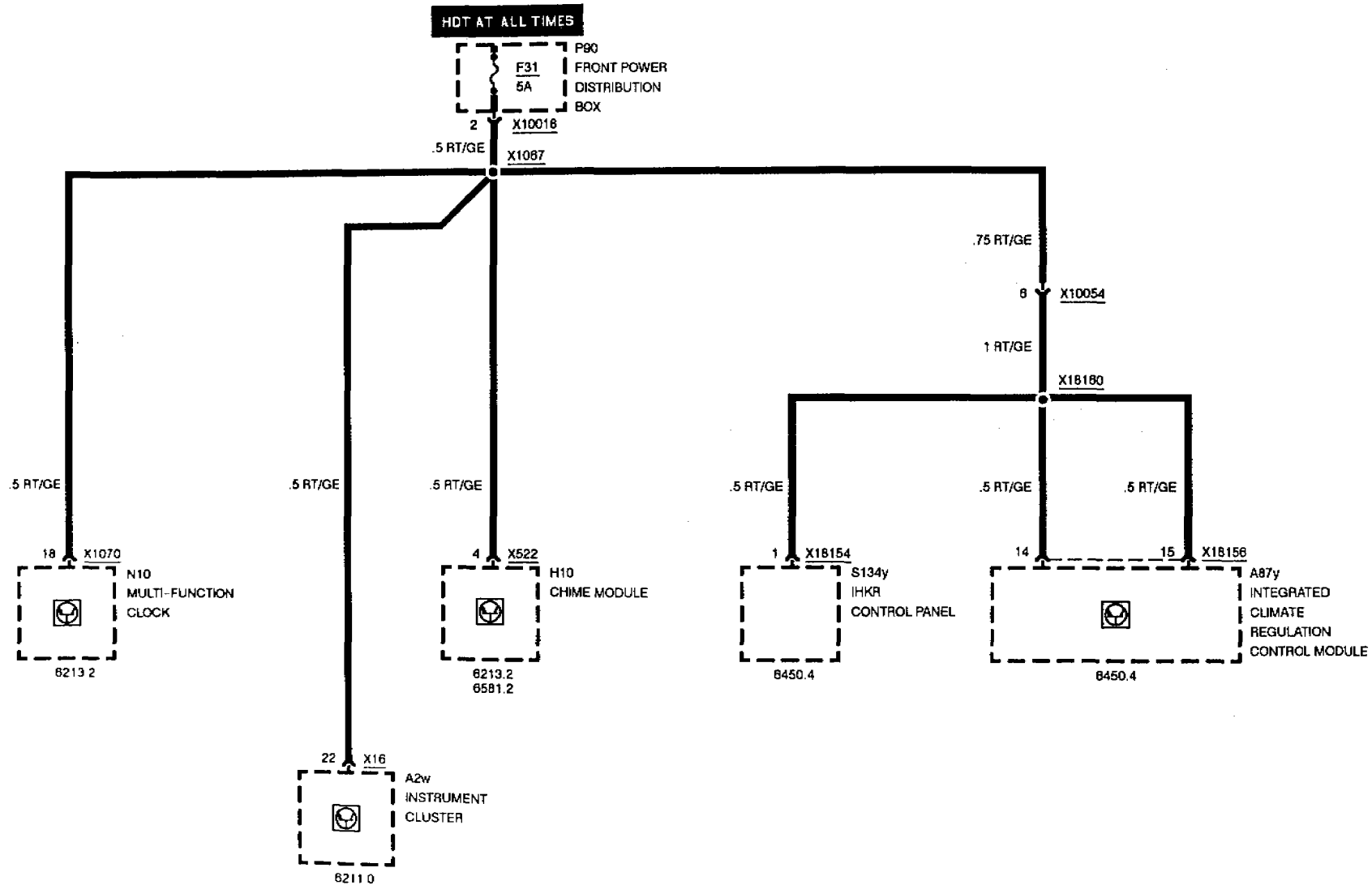
FUSE DETAILS

FUSES 26, 27, 28, 29, AND 30

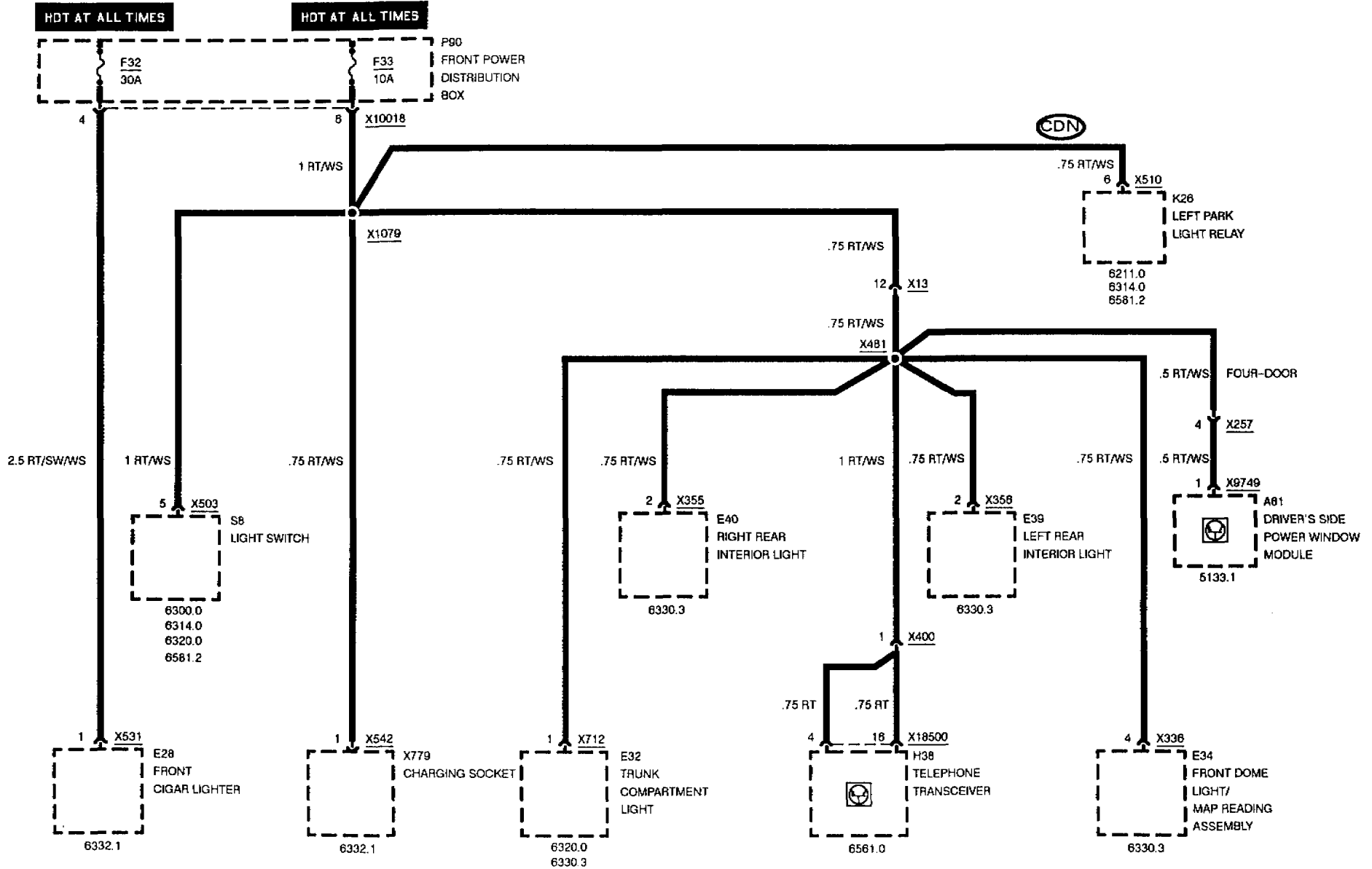


BMW
3 FUSE DETAILS

FUSE 31

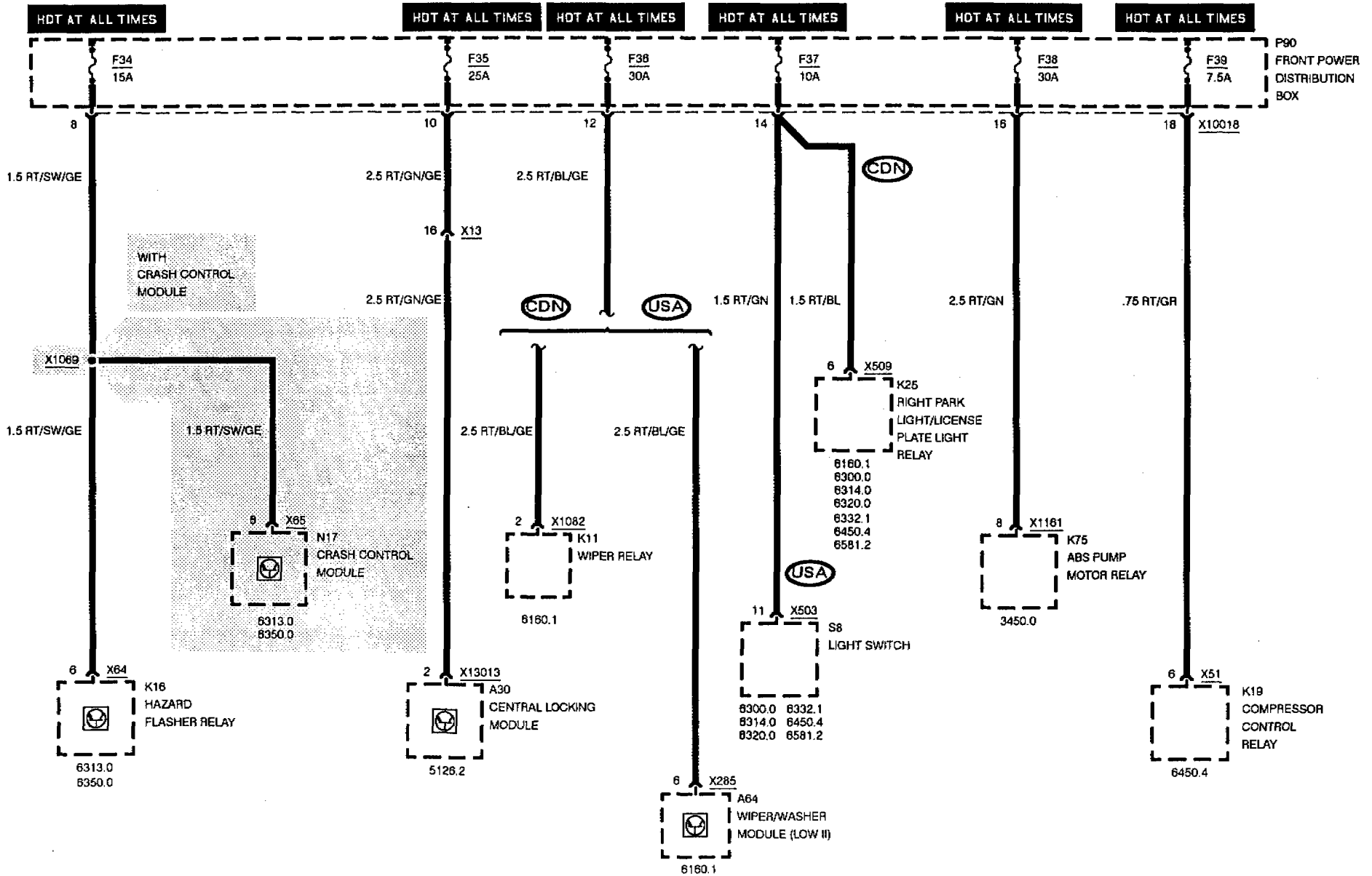


BMW
3 **FUSE DETAILS**
FUSES 32 AND 33



FUSE DETAILS

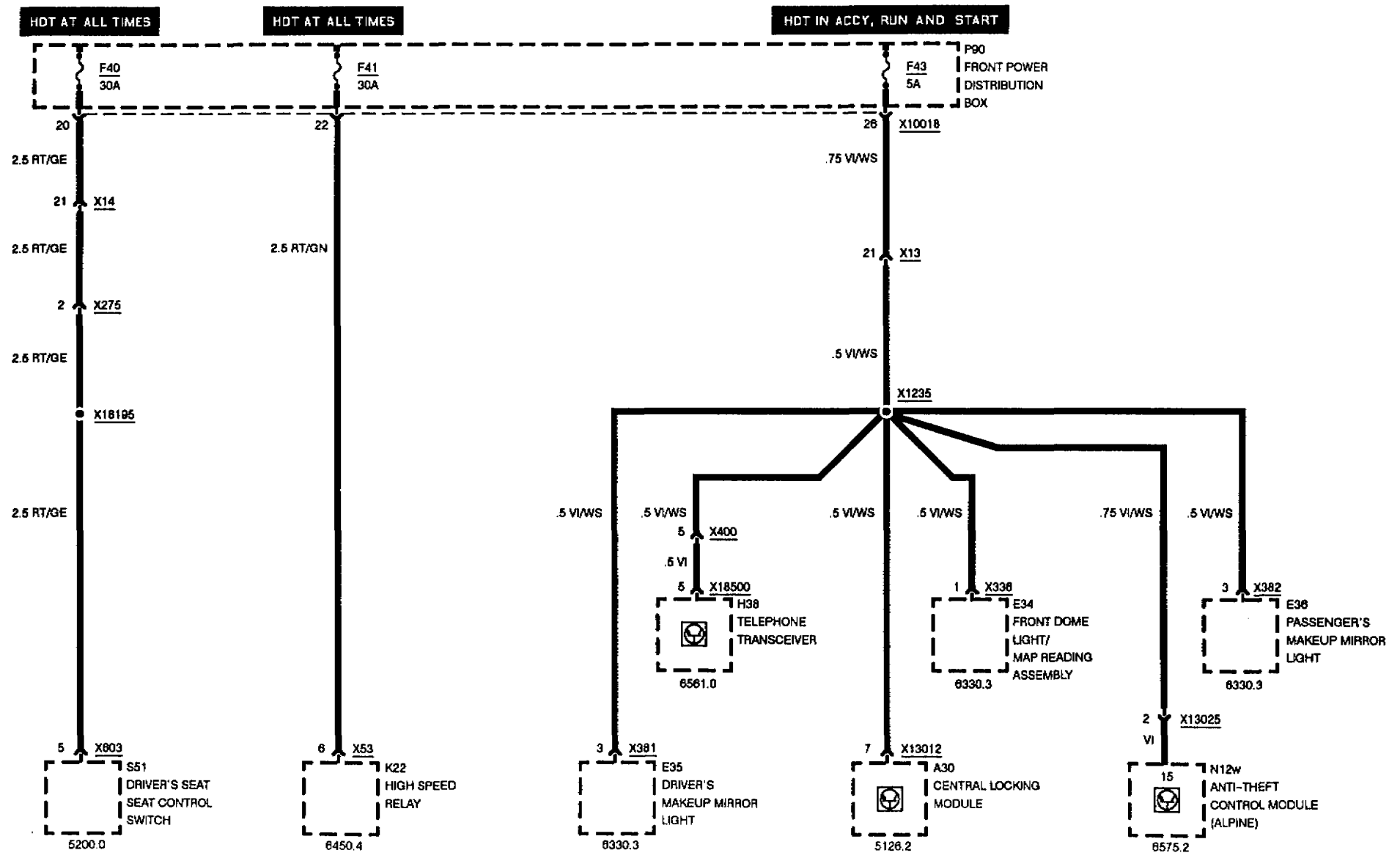
FUSES 34, 35, 36, 37, 38, AND 39





FUSE DETAILS

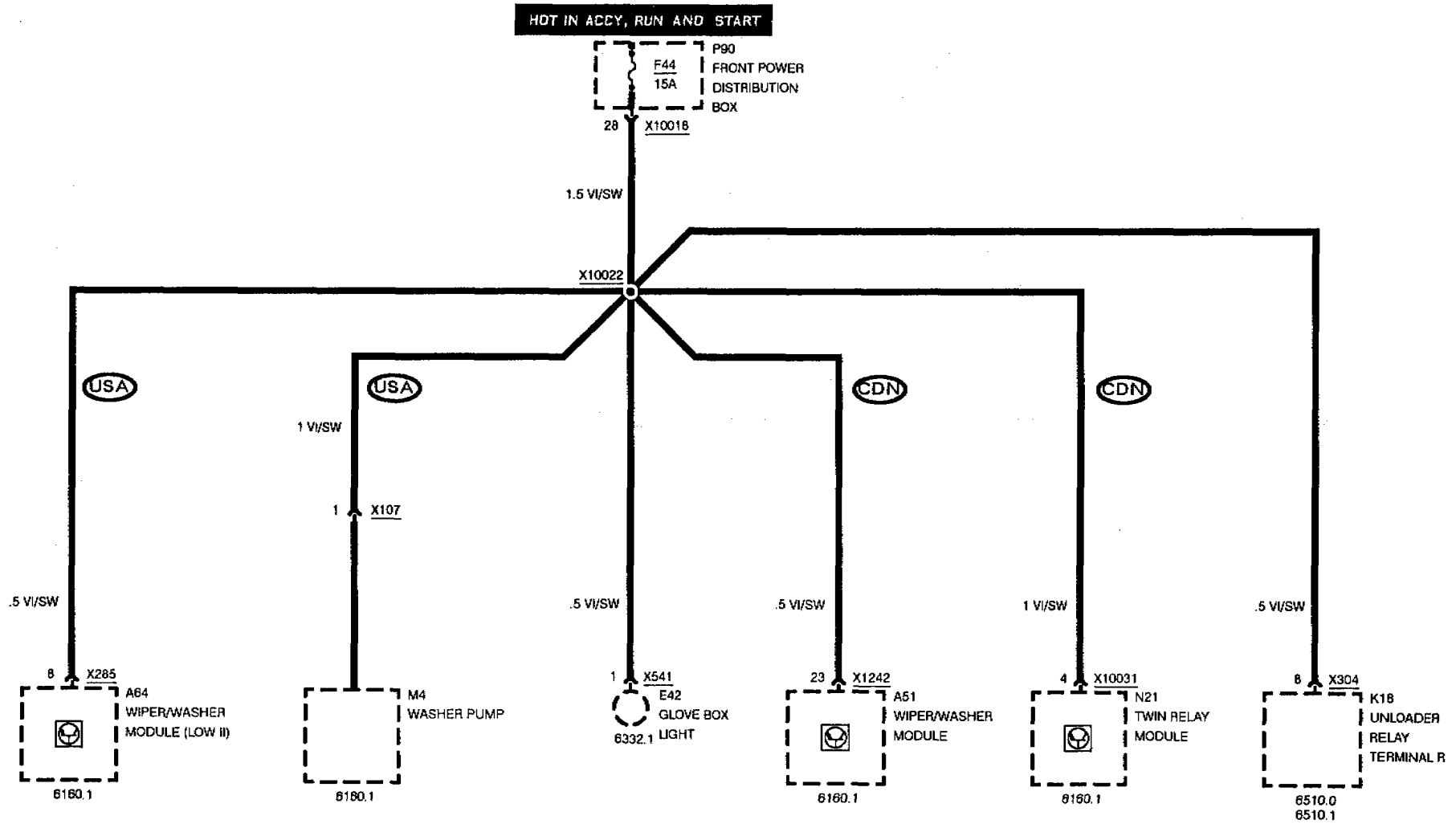
FUSES 40, 41, AND 43





FUSE DETAILS

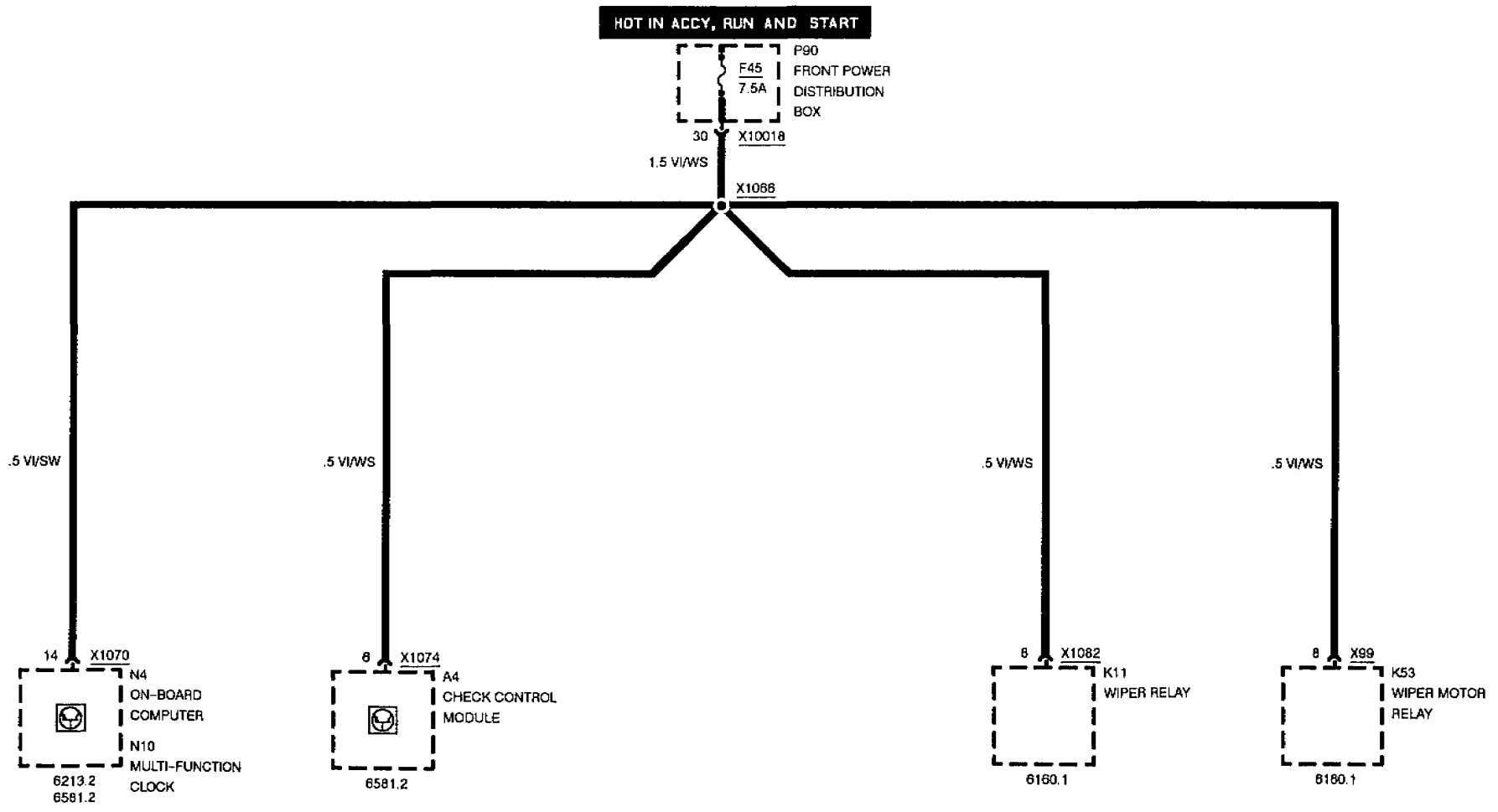
FUSE 44





FUSE DETAILS

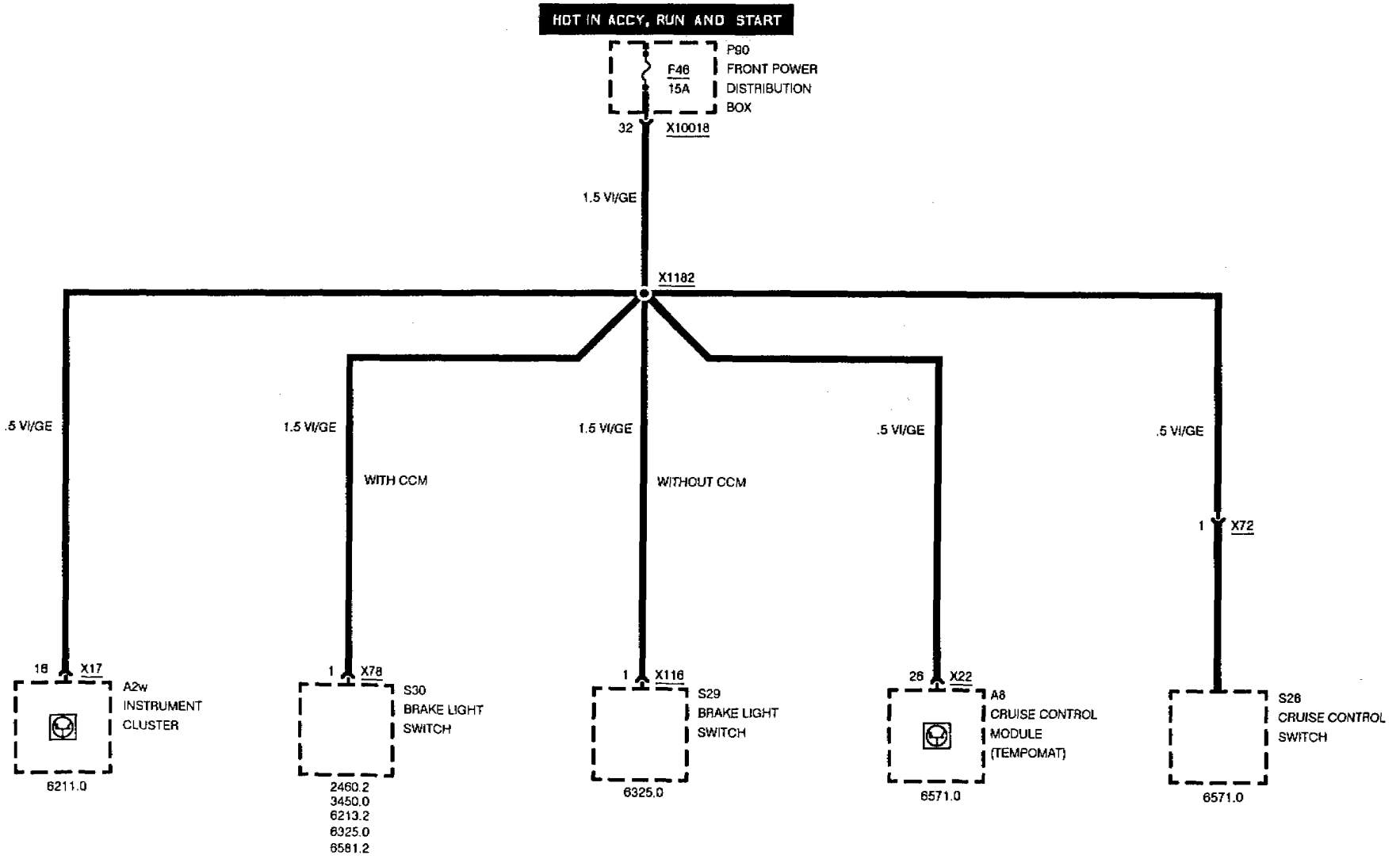
FUSE 45





FUSE DETAILS

FUSE 46



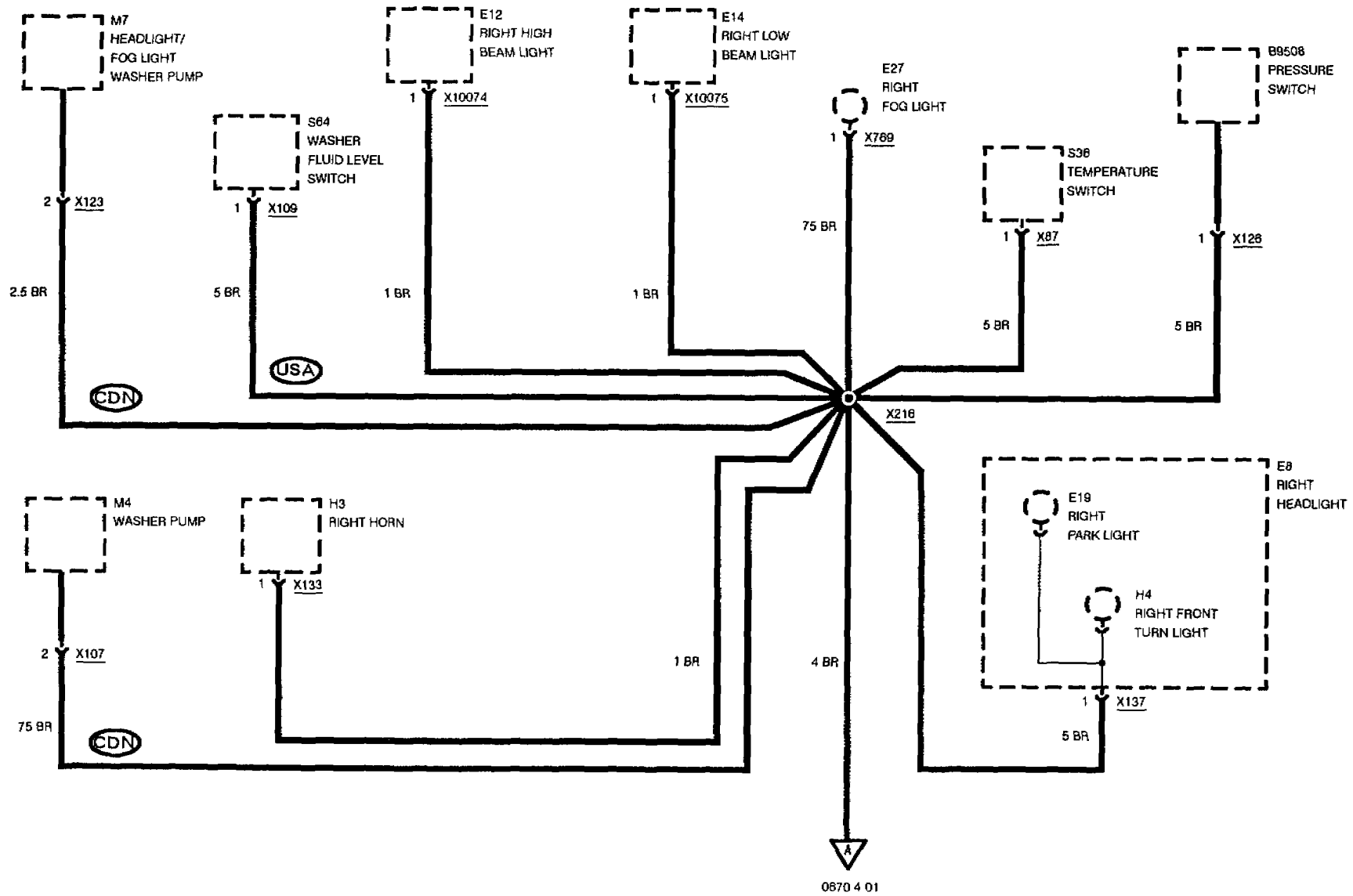
BMW
3

0670.4



GROUND DISTRIBUTION

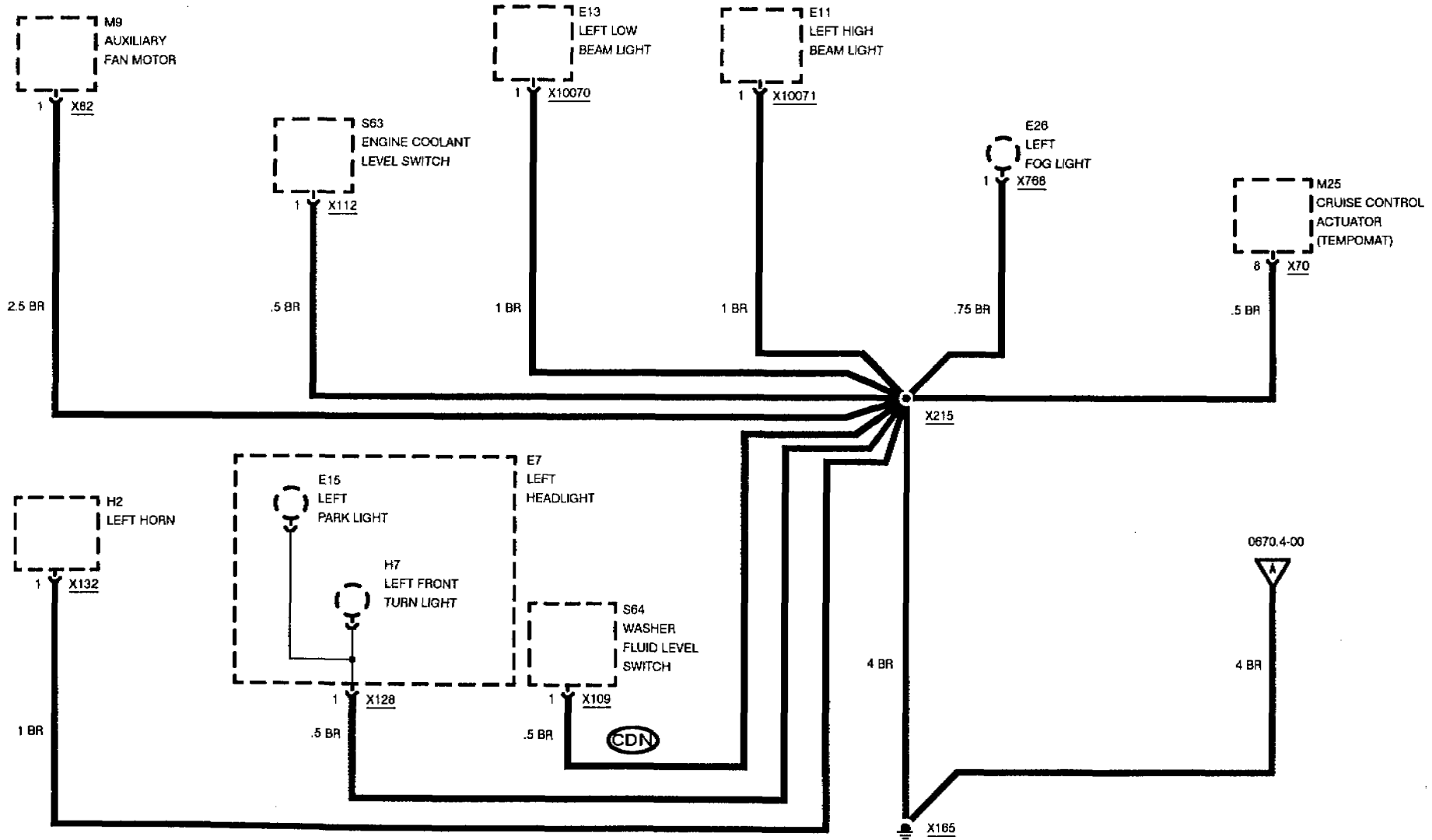
GROUND X165





GROUND DISTRIBUTION

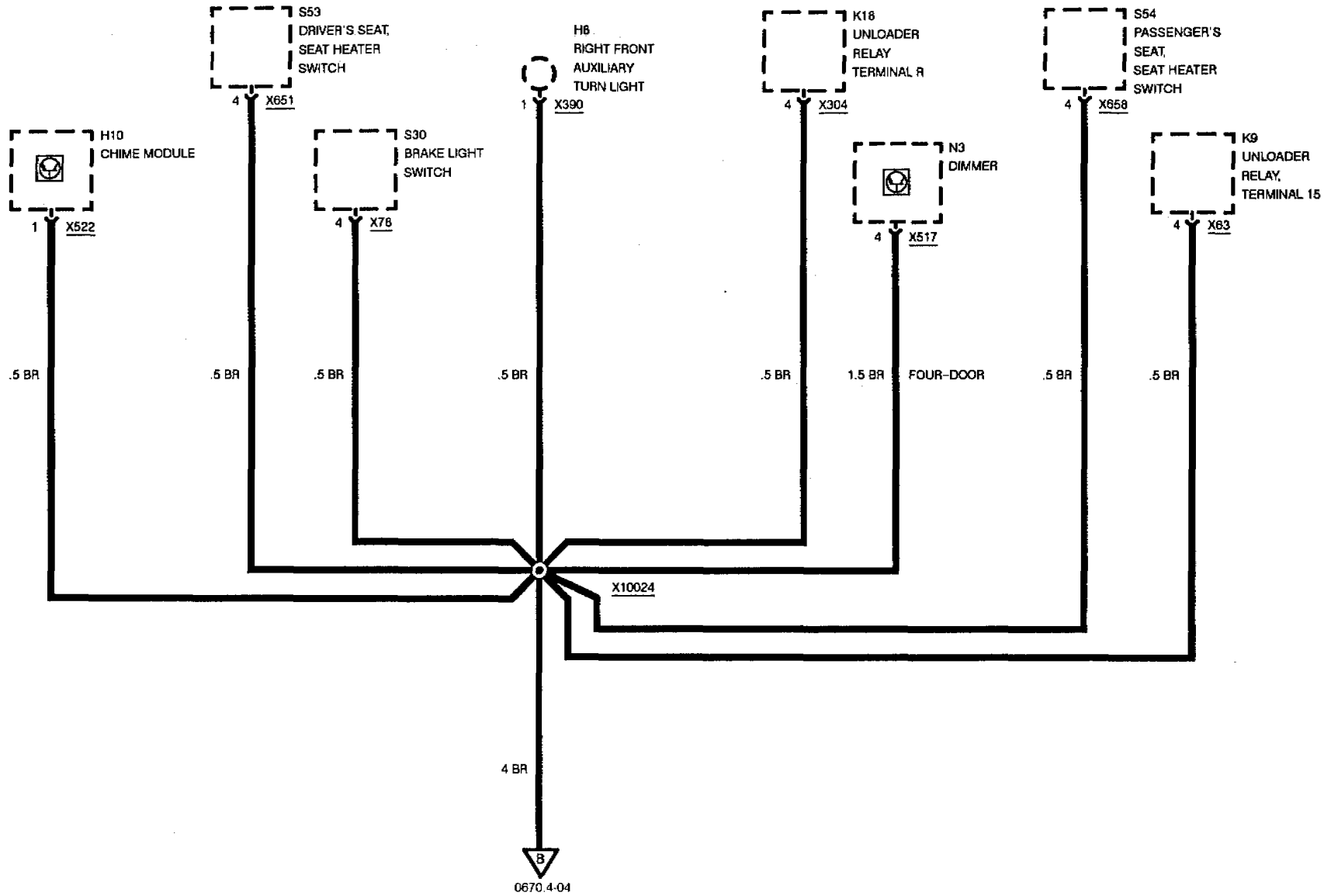
GROUND X165





GROUND DISTRIBUTION

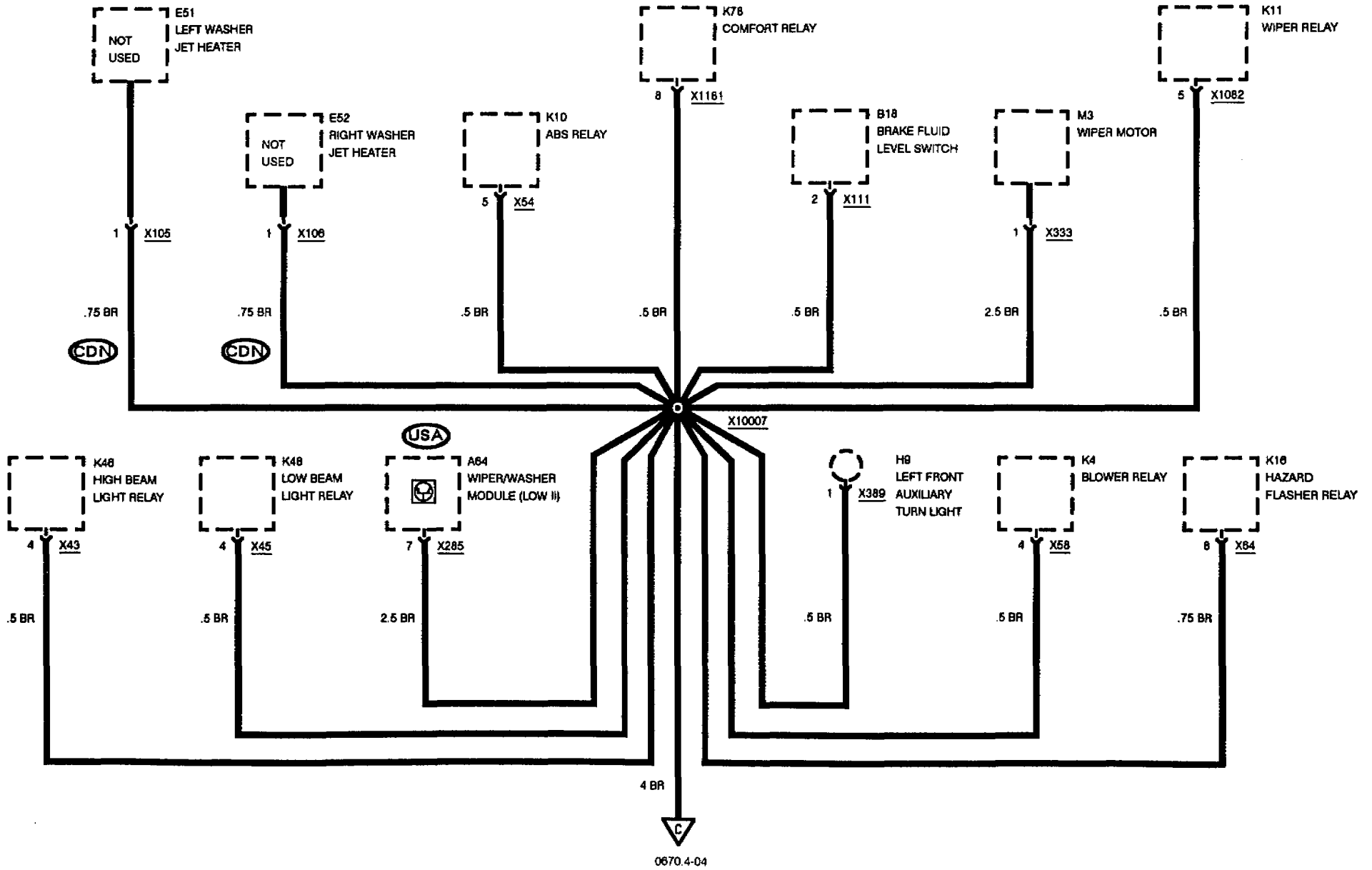
GROUND X173





GROUND DISTRIBUTION

GROUND X173

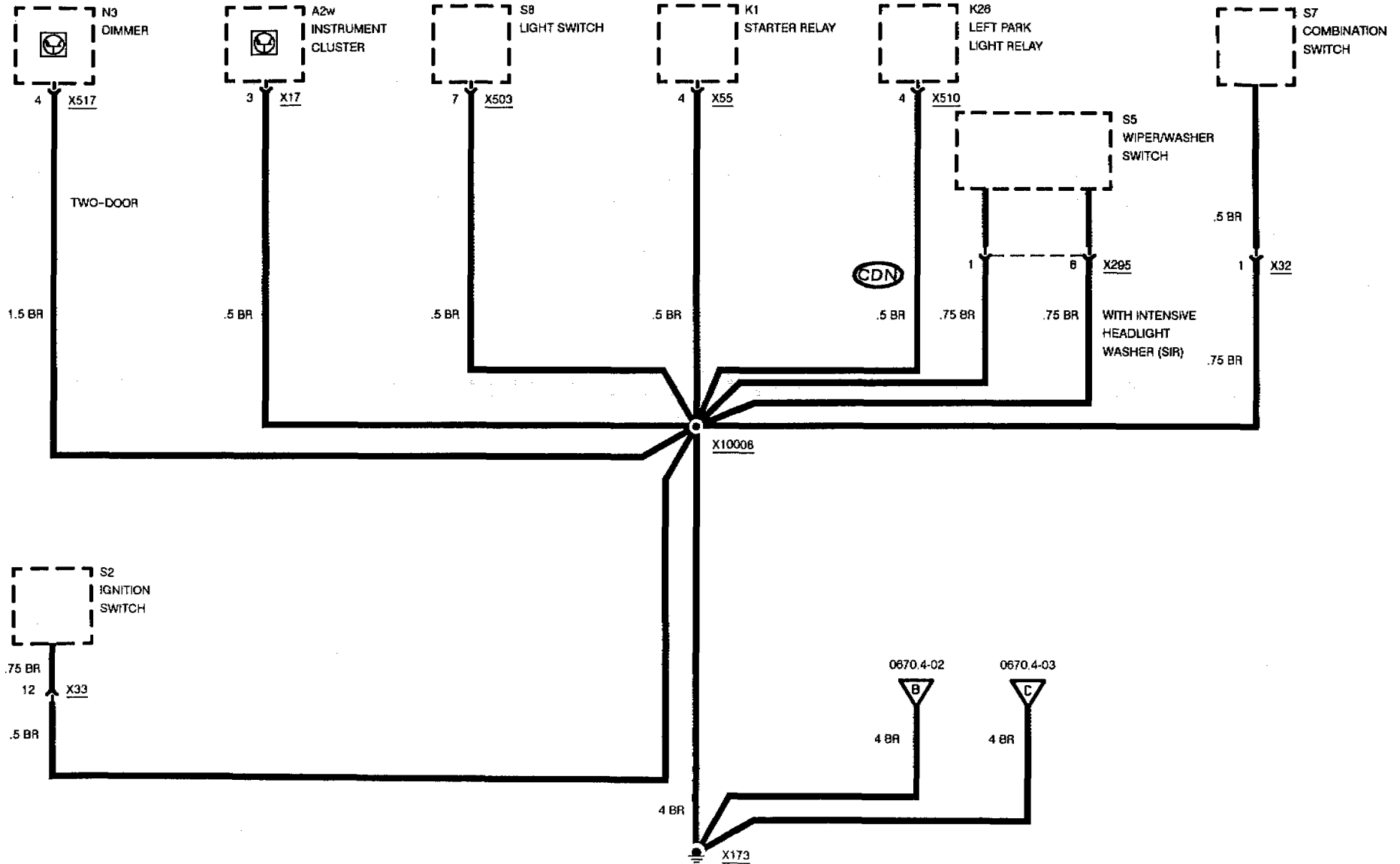


0670.4-04



GROUND DISTRIBUTION

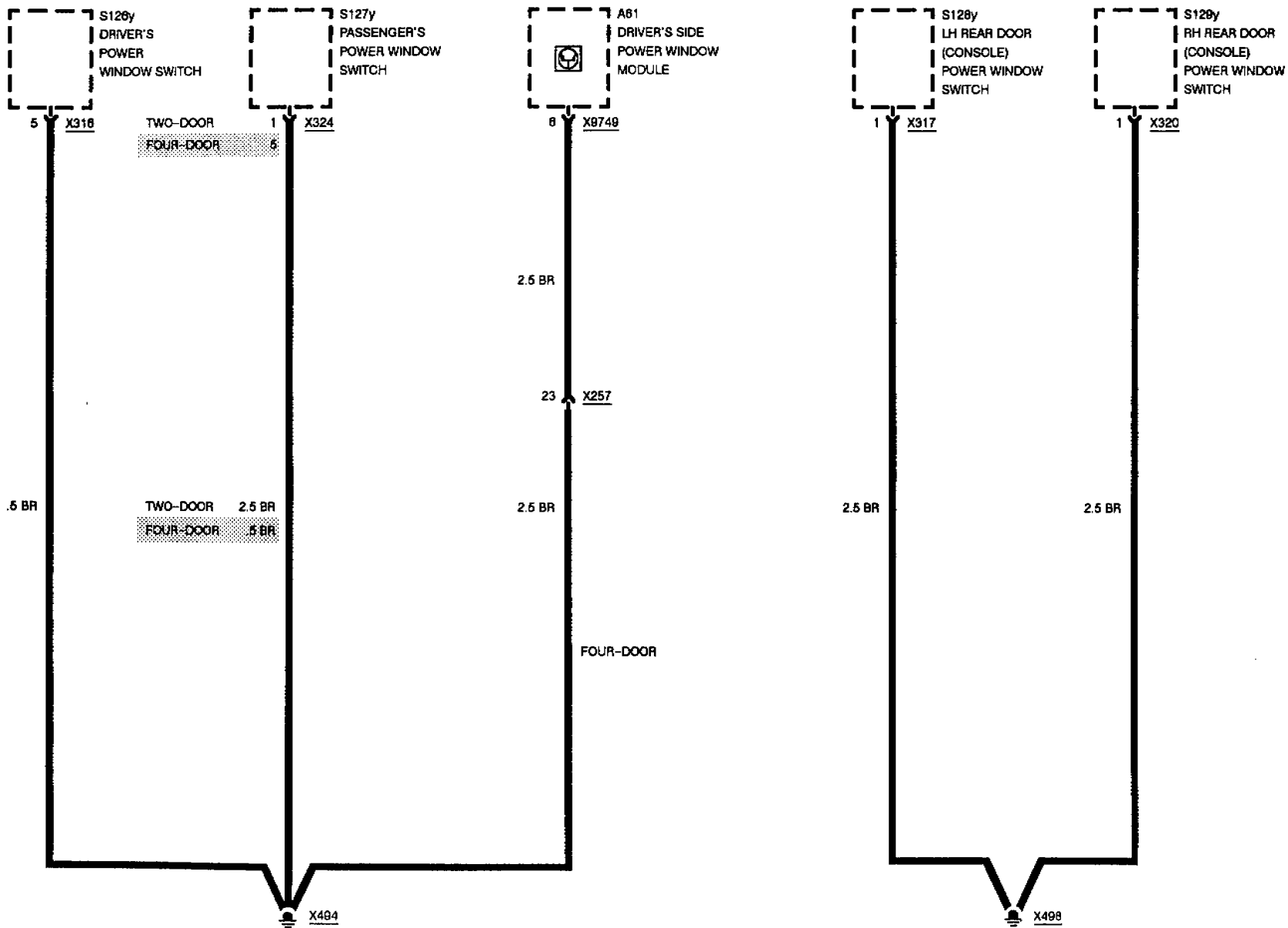
GROUND X173





GROUND DISTRIBUTION

GROUNDS X494 AND X498

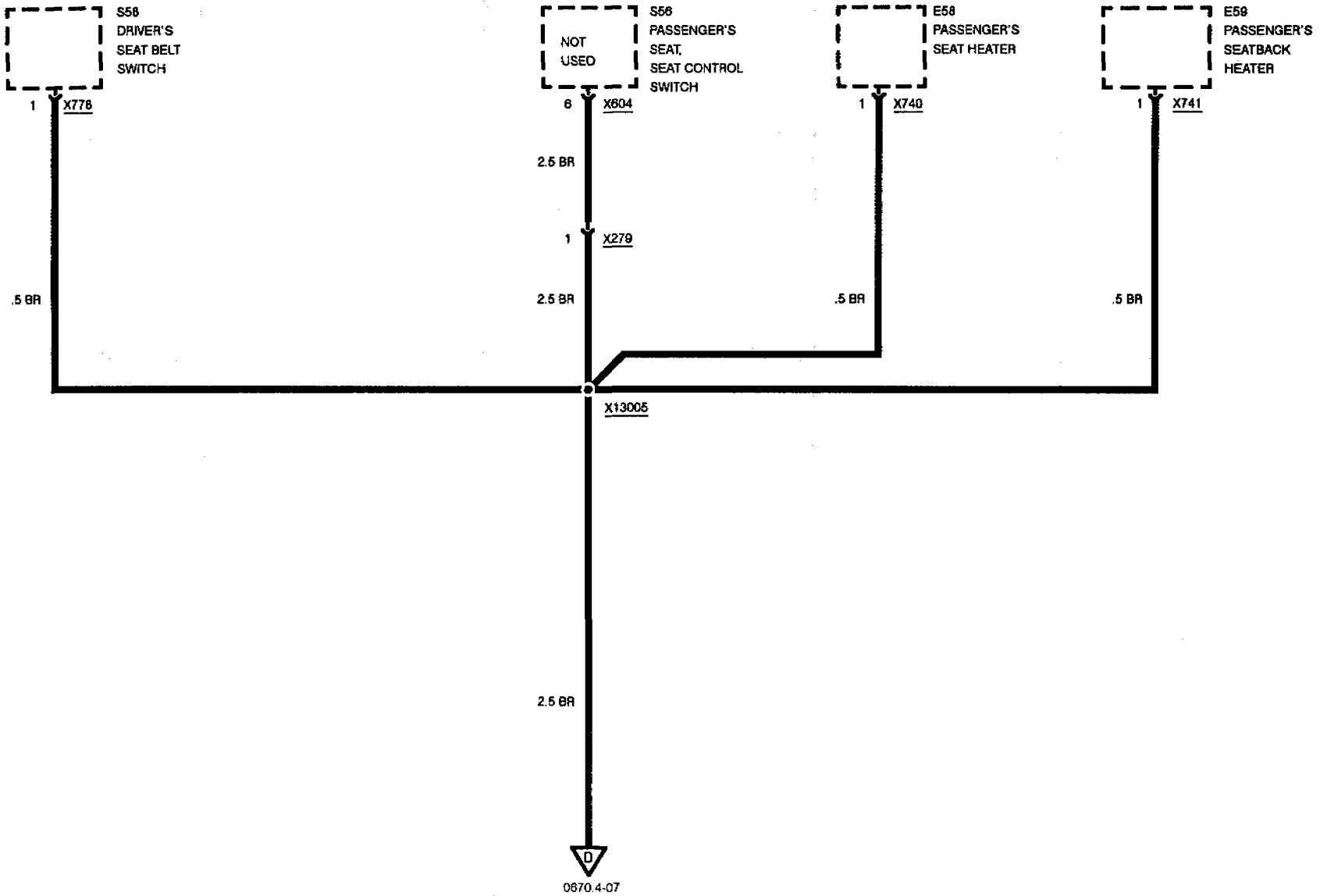




GROUND DISTRIBUTION

TWO-DOOR

GROUND X495

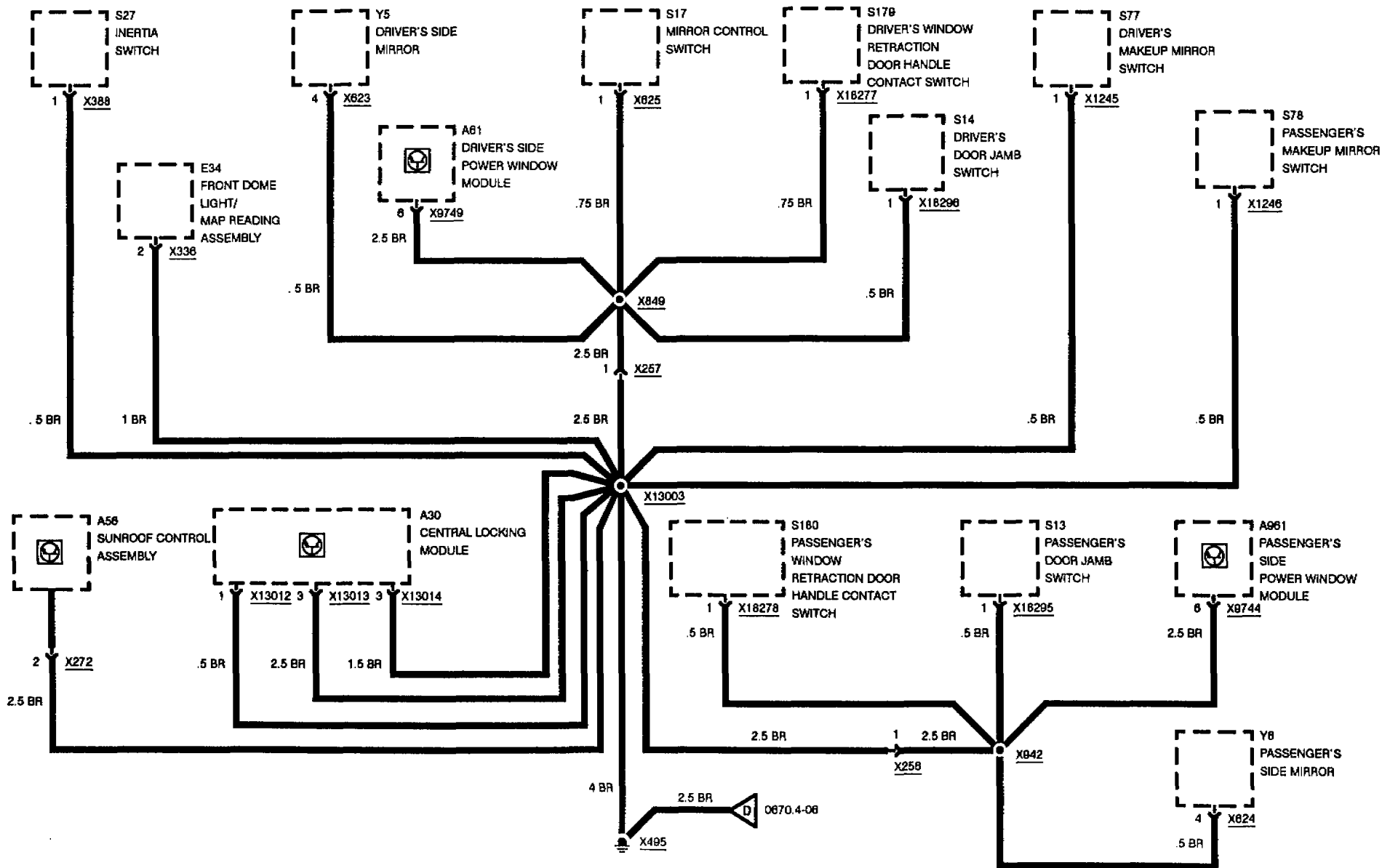




GROUND DISTRIBUTION

TWO-DOOR

GROUND X495

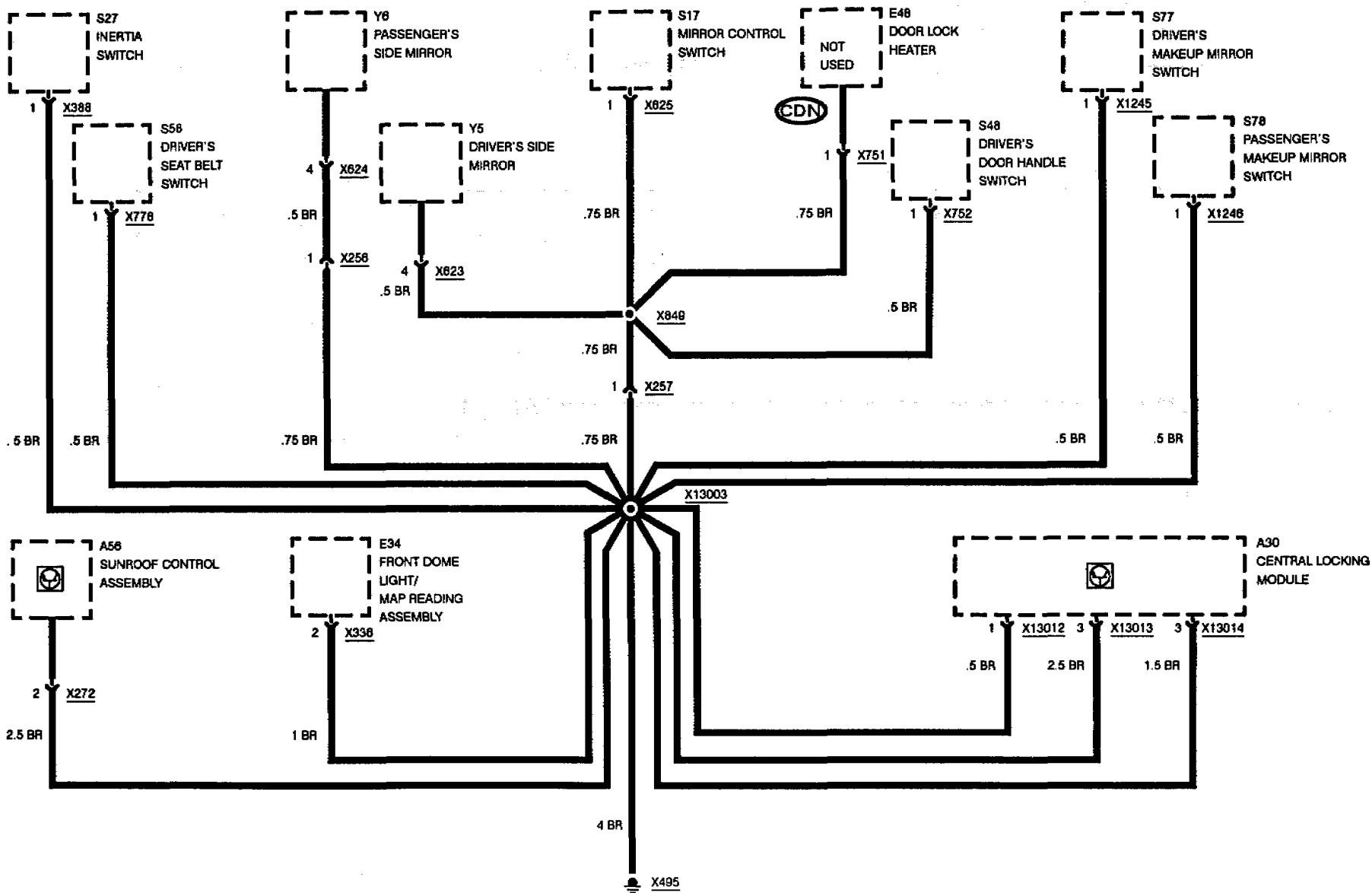




GROUND DISTRIBUTION

FOUR-DOOR

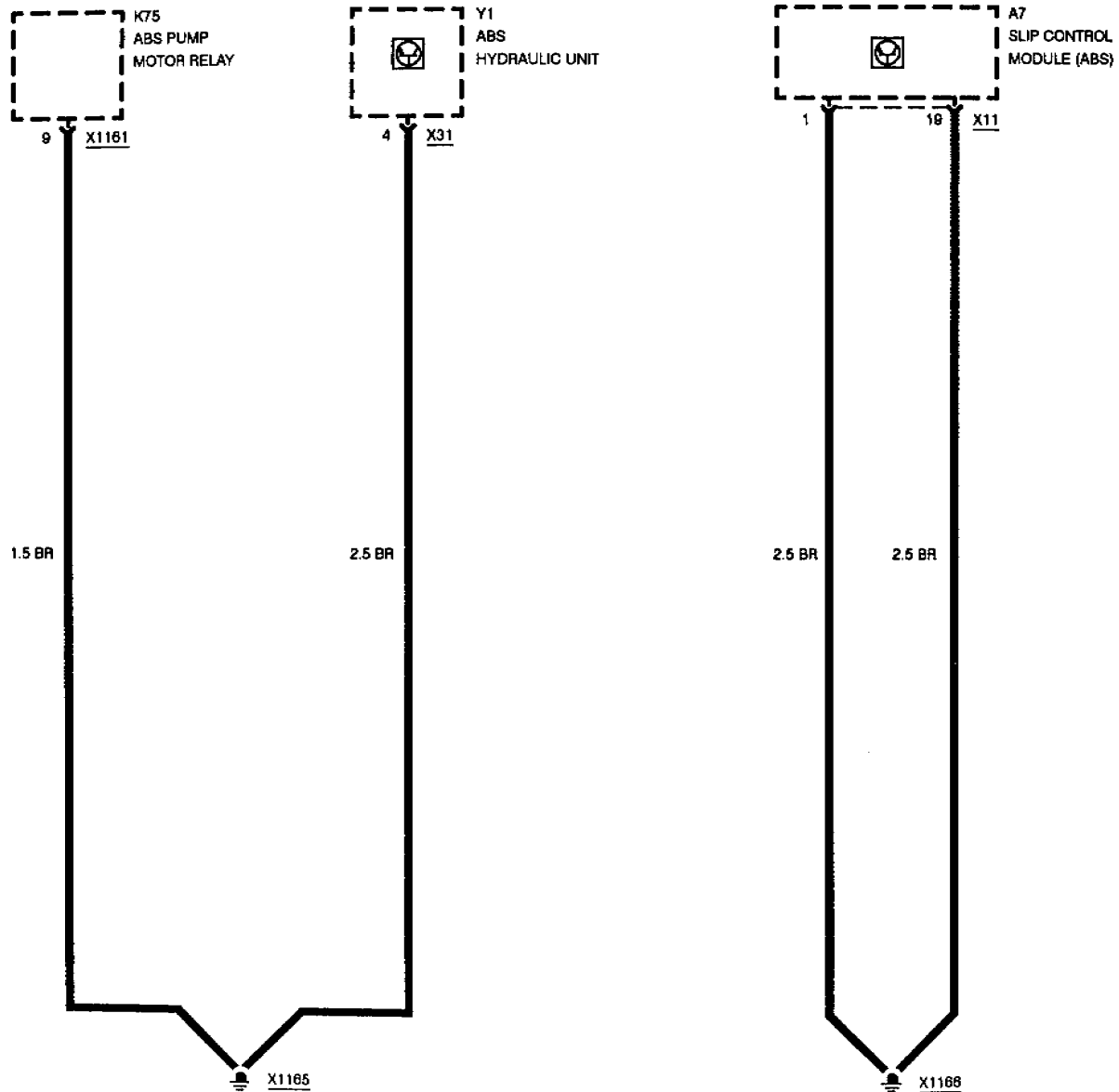
GROUND X495





GROUND DISTRIBUTION

GROUNDS X1165 AND X1166

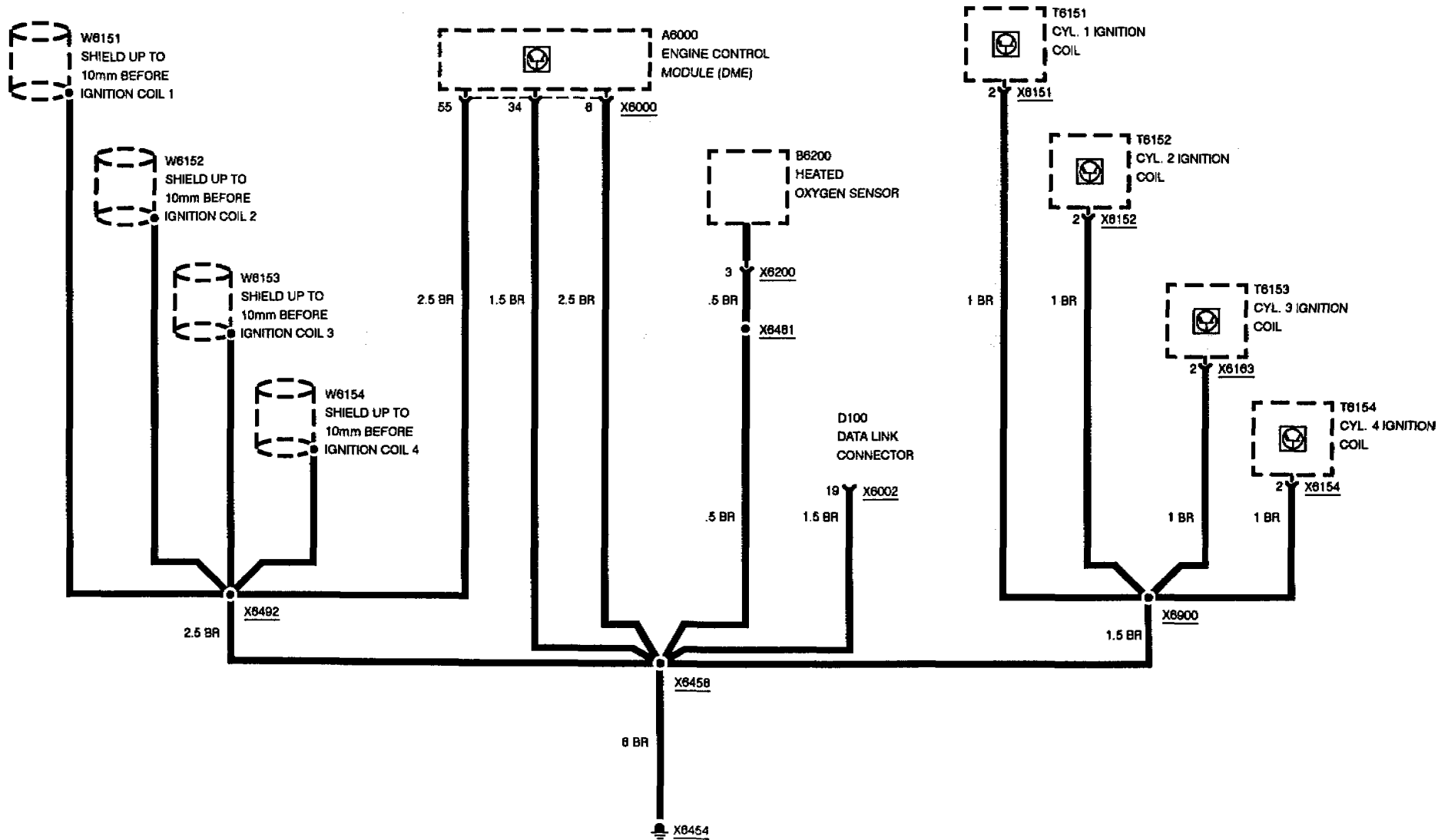




GROUND DISTRIBUTION

GROUND X6454

318is

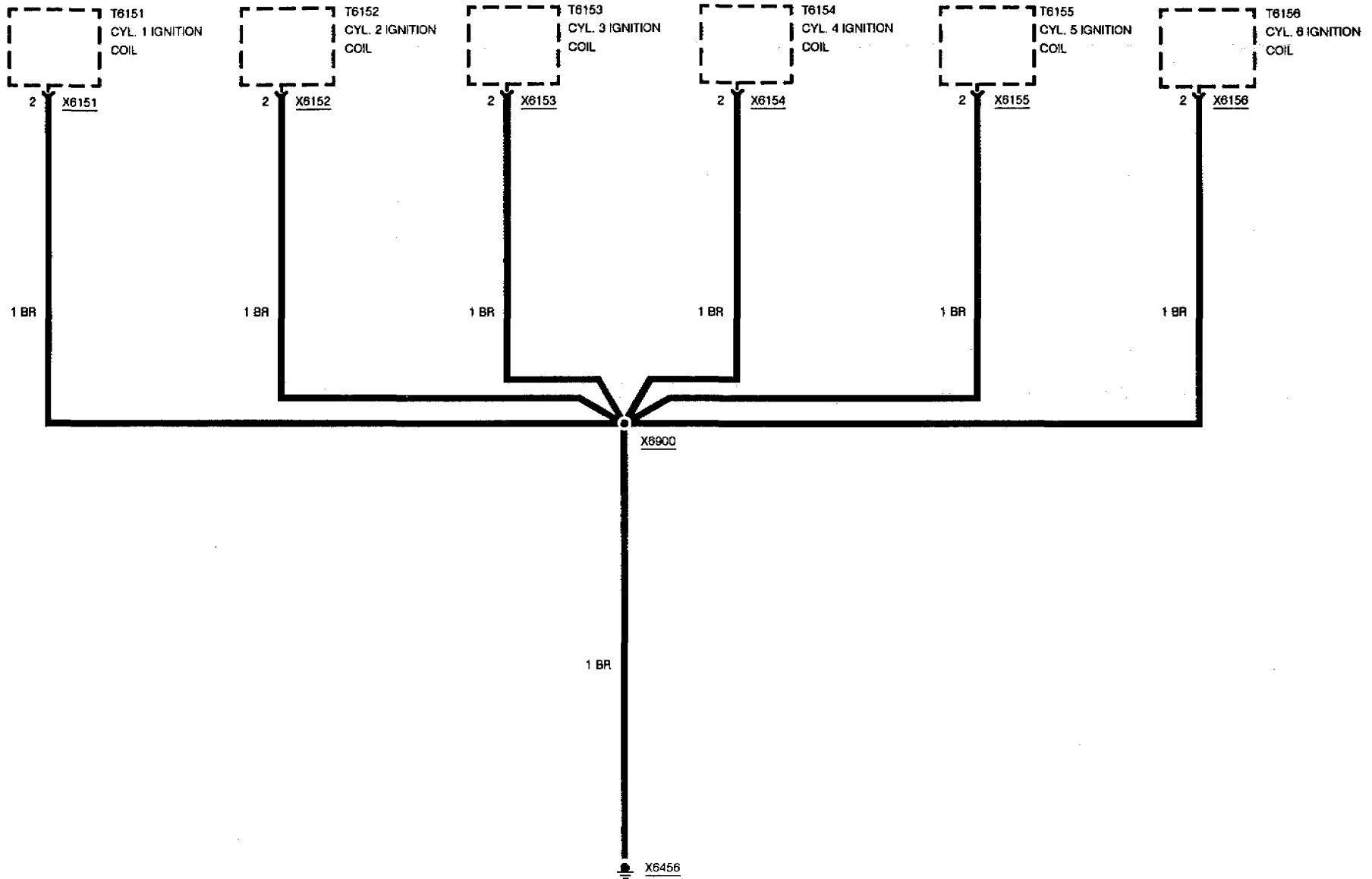




GROUND DISTRIBUTION

325i

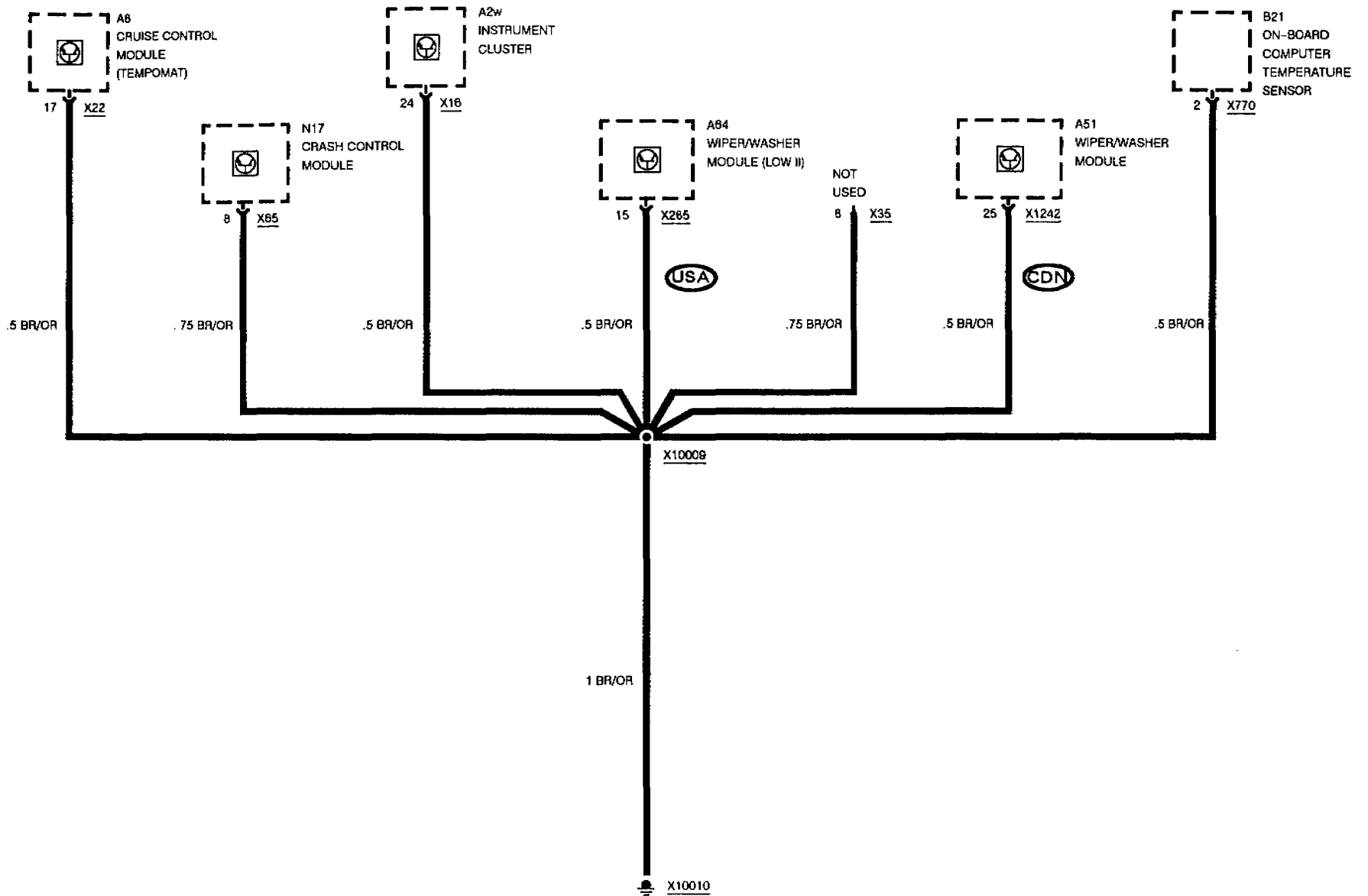
GROUND X6456





GROUND DISTRIBUTION

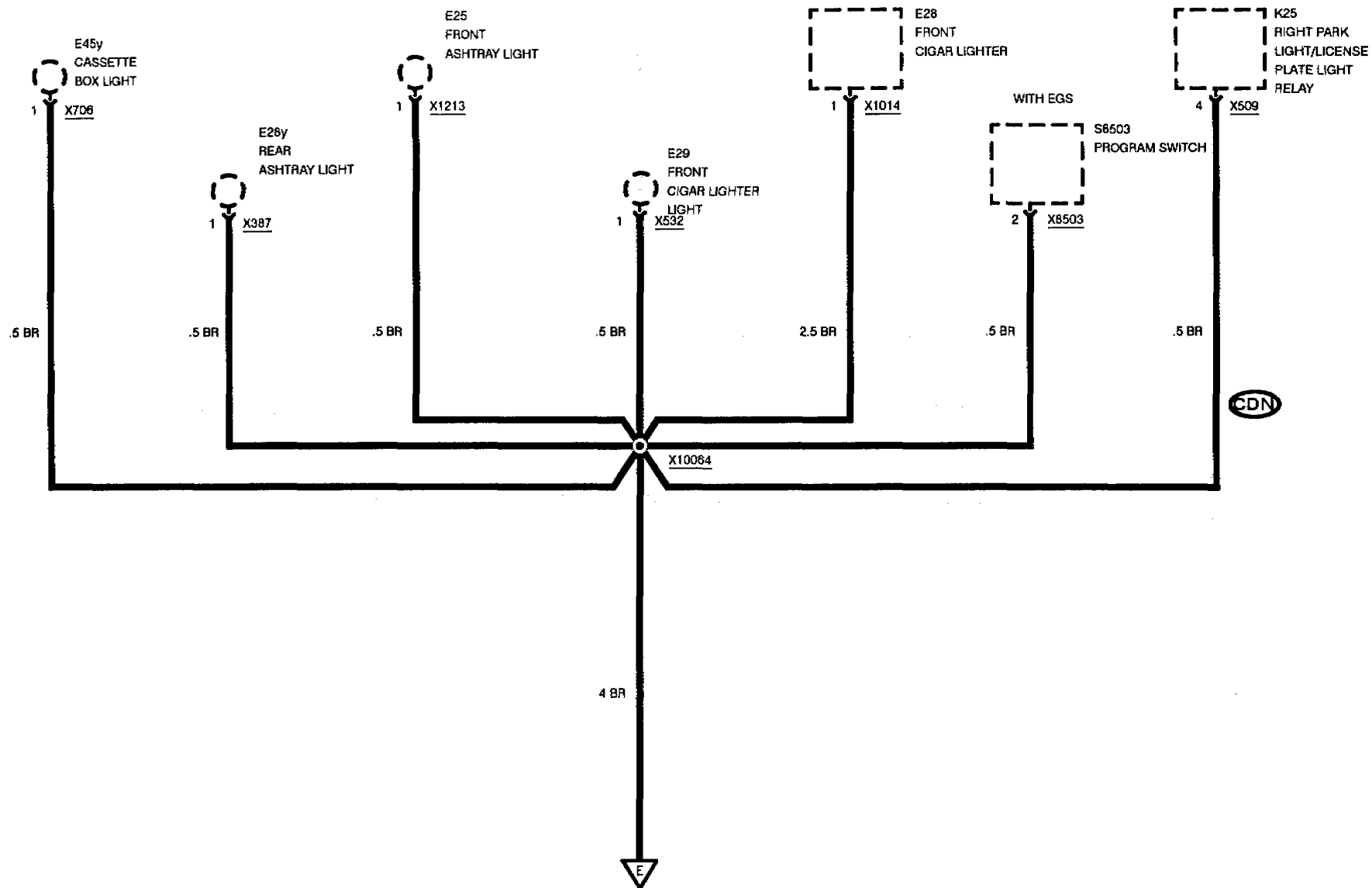
GROUND X10010





GROUND DISTRIBUTION

GROUND X10012

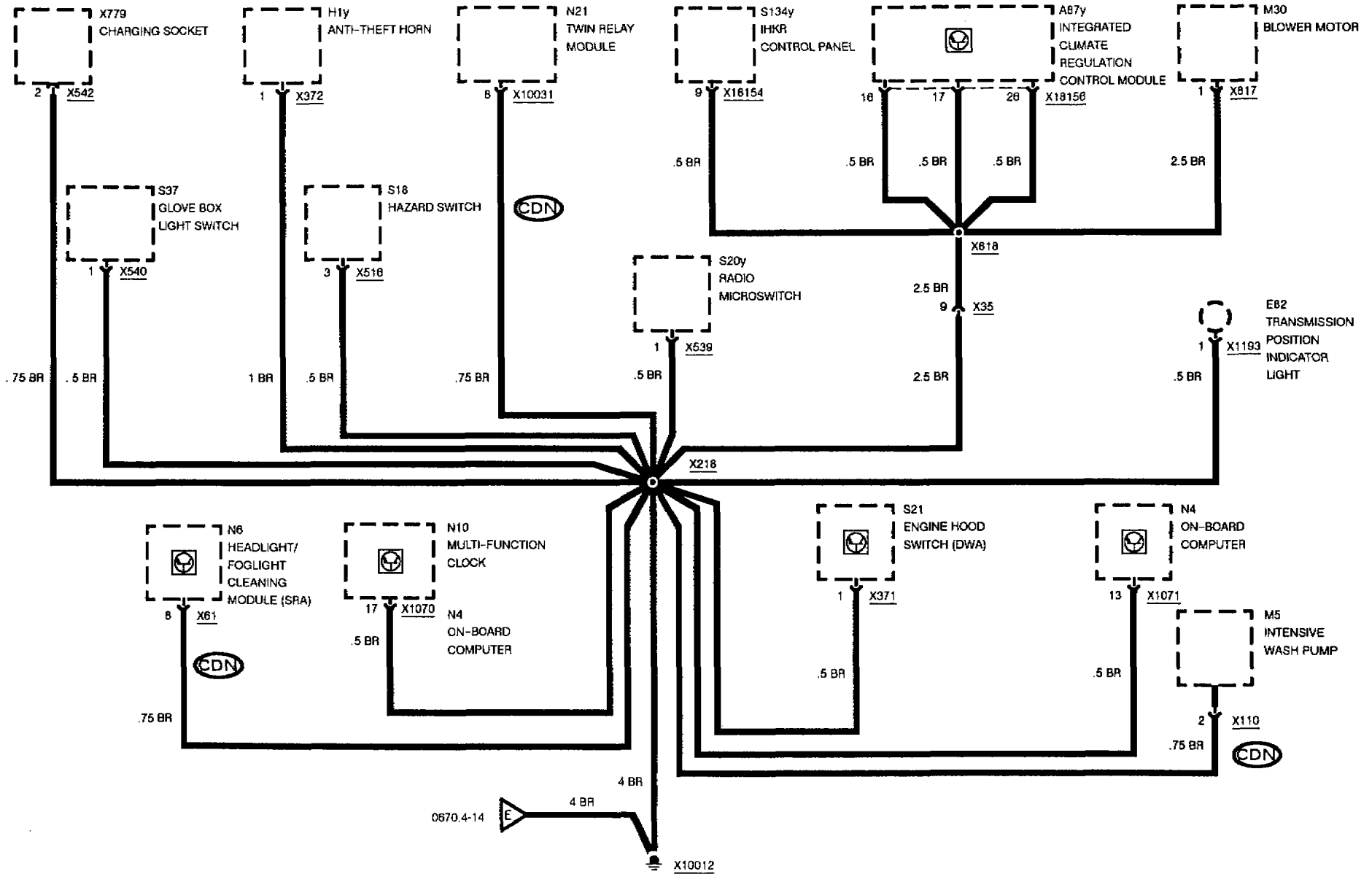


0670.4-15



GROUND DISTRIBUTION

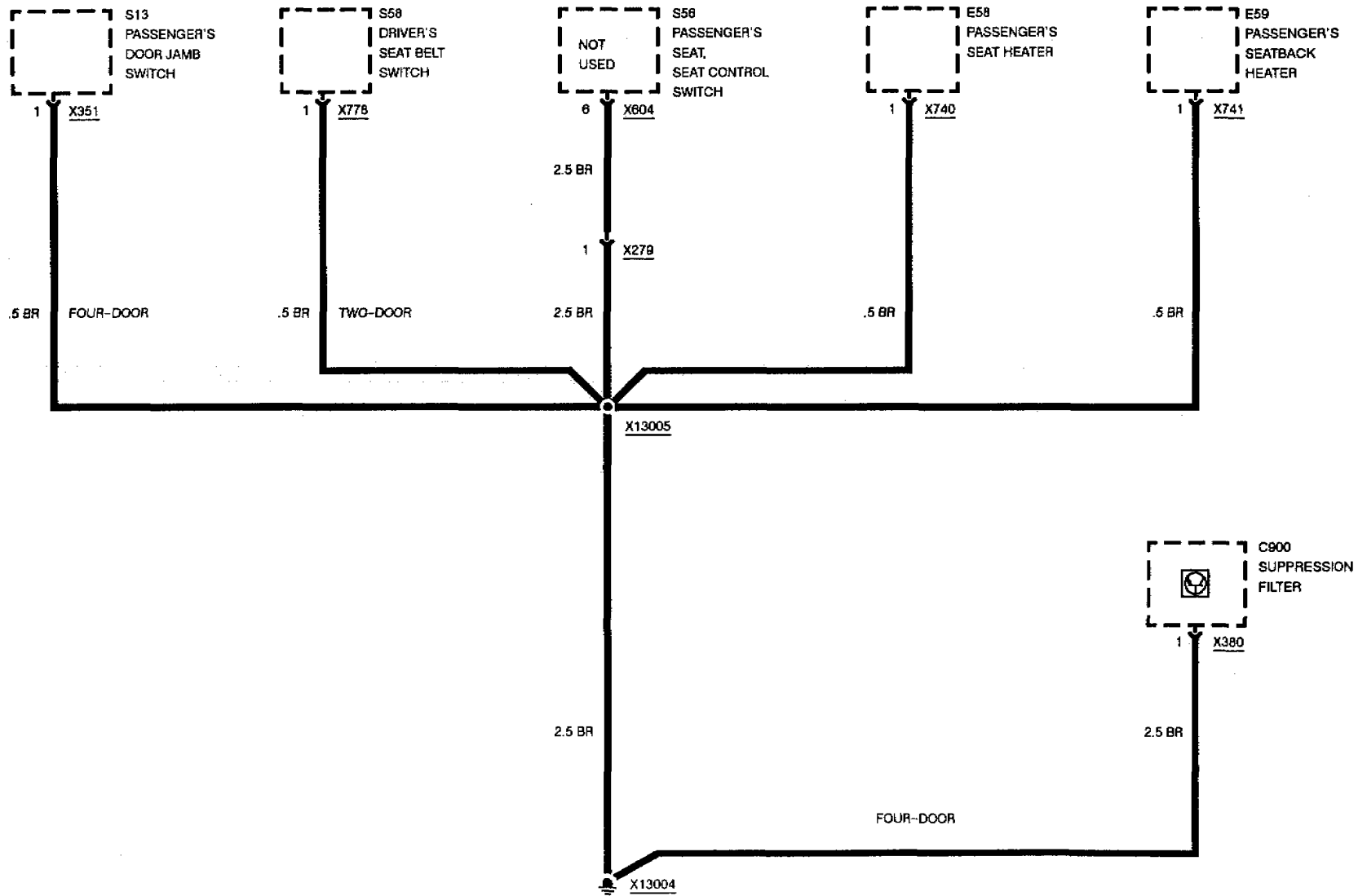
GROUND X10012





GROUND DISTRIBUTION

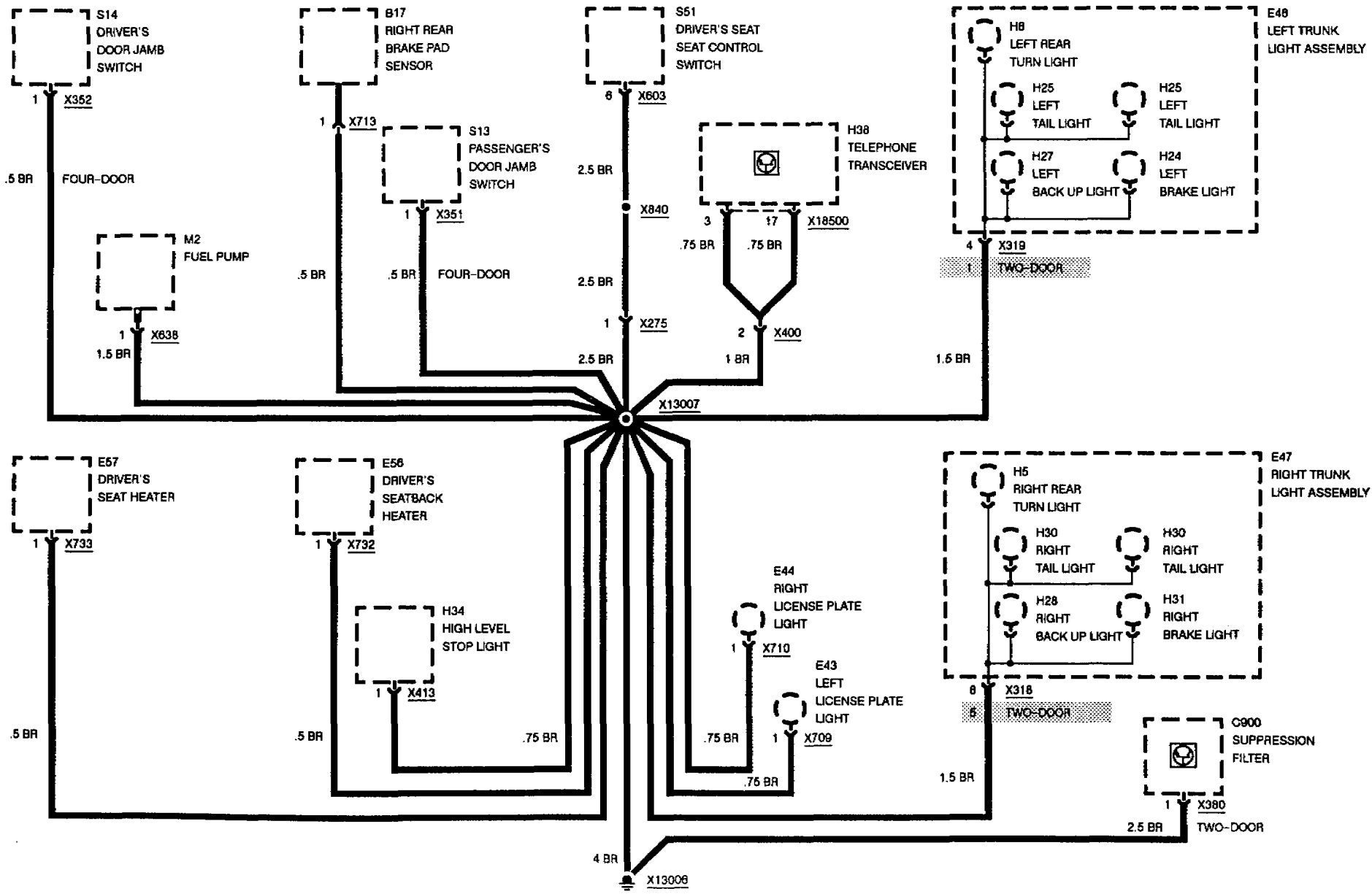
GROUND X13004





GROUND DISTRIBUTION

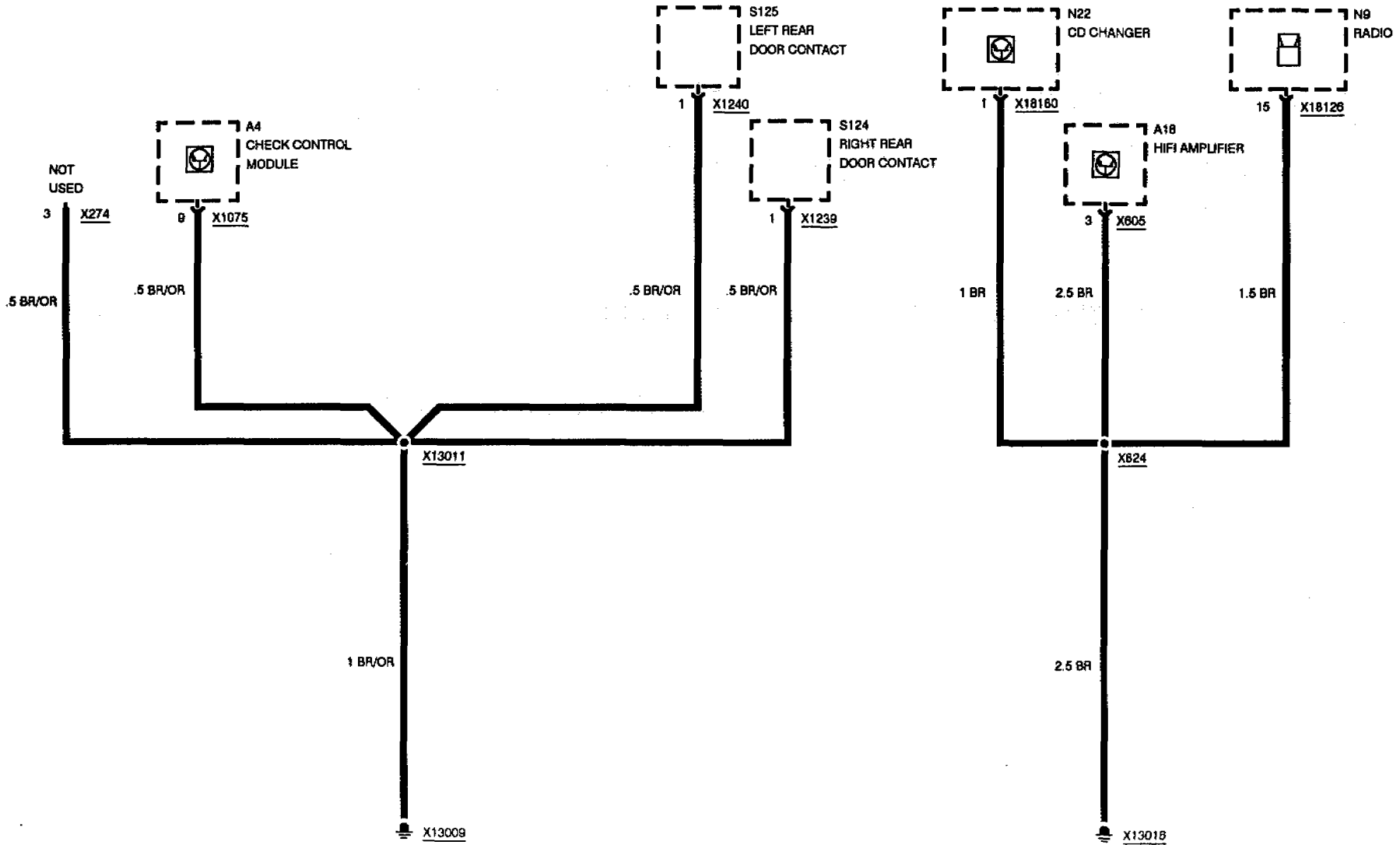
GROUND X13006





GROUND DISTRIBUTION

GROUNDS X13009 AND X13016



BMW
3

0670.5

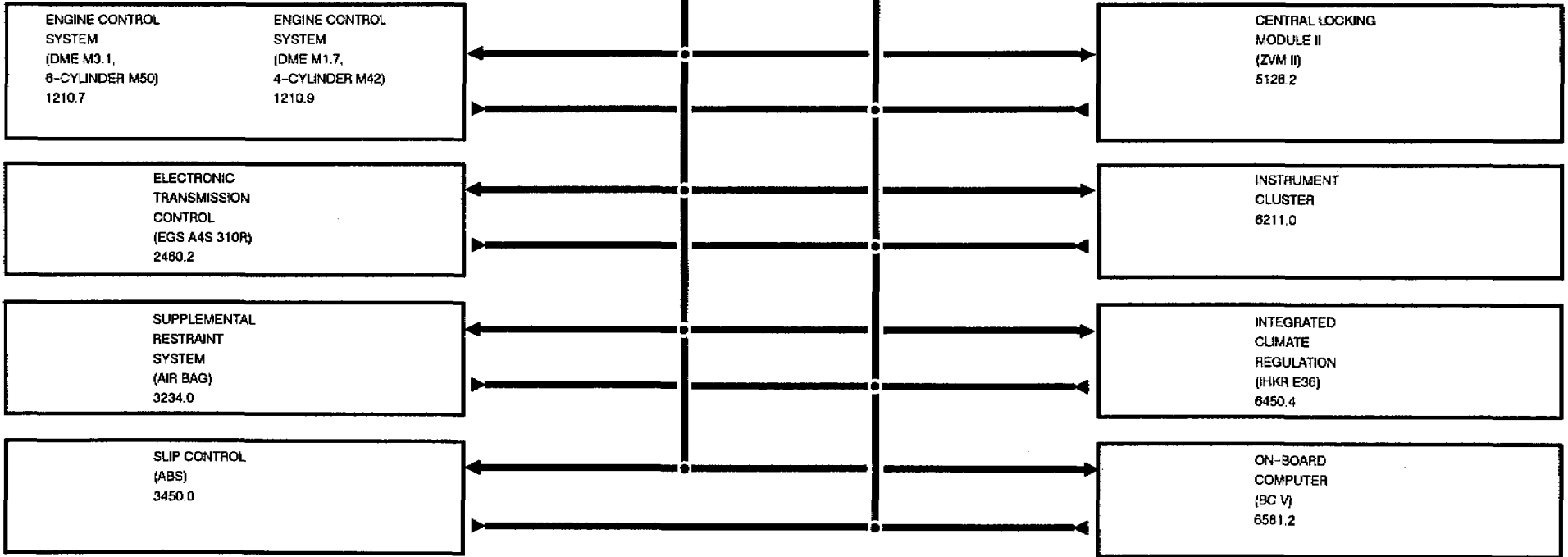


DATA LINK BLOCK DIAGRAM

D100
DATA LINK
CONNECTOR

TXD

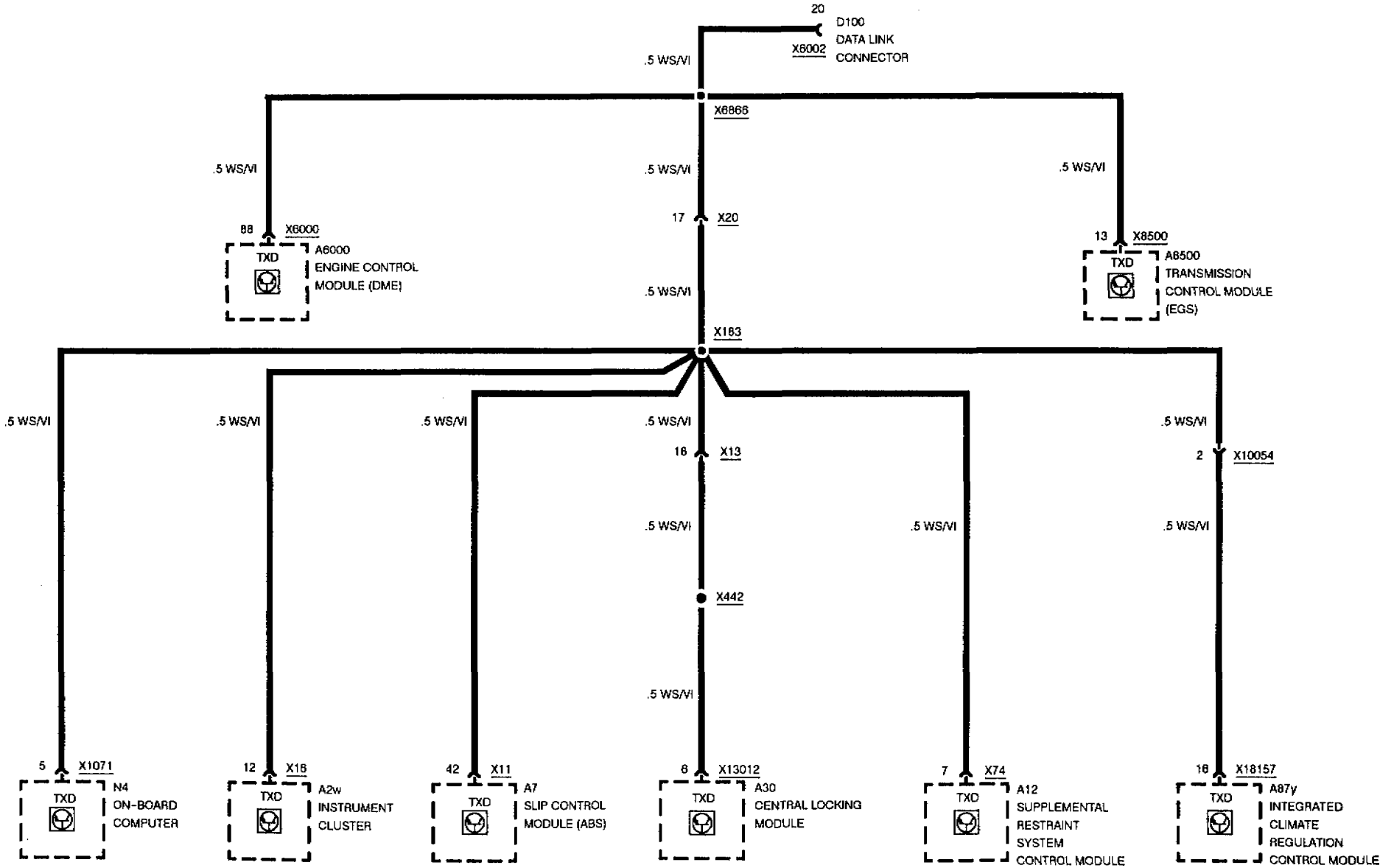
RXD





DATA LINK

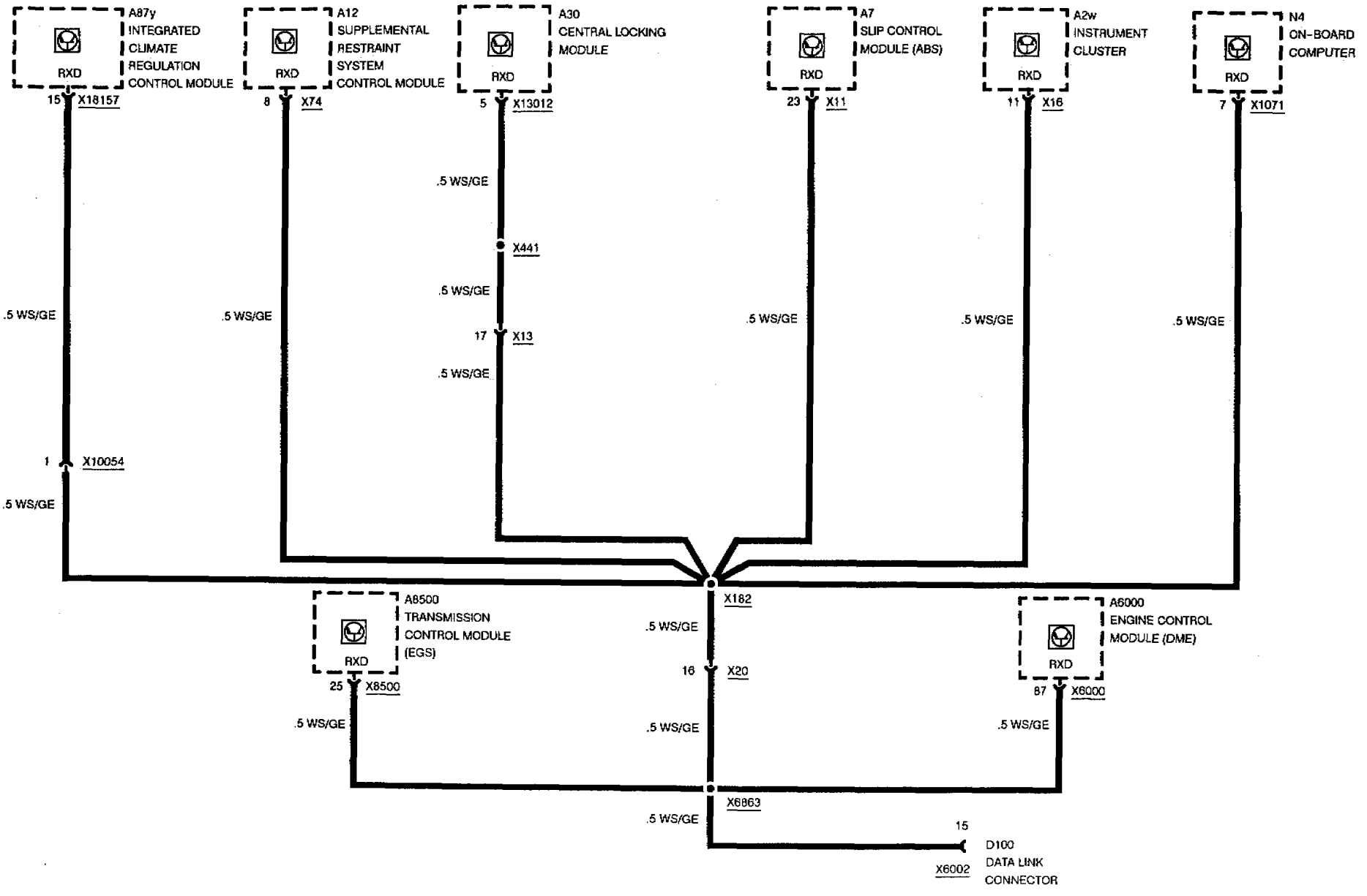
TXD, PIN 20





DATA LINK

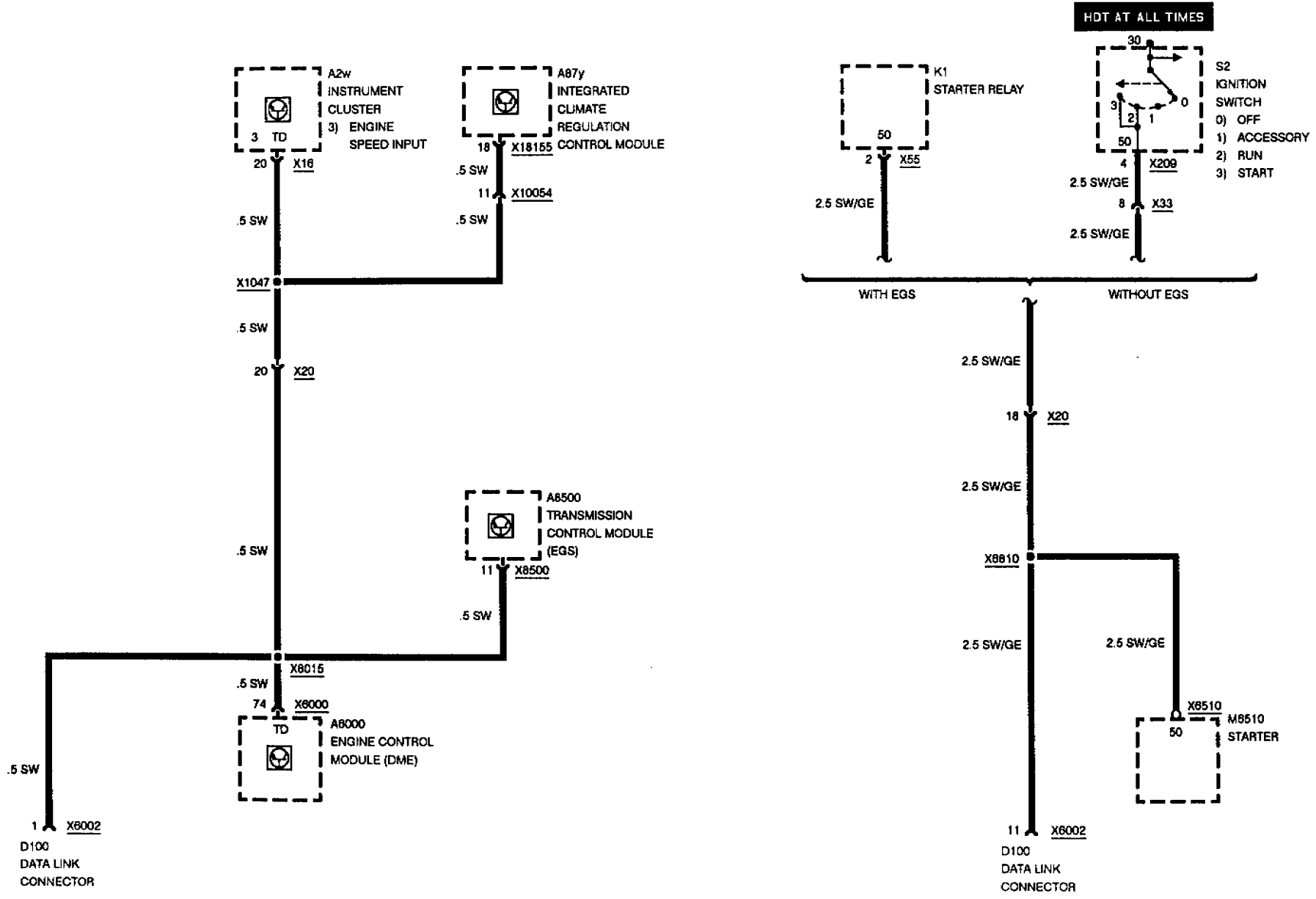
RXD, PIN 15





DATA LINK

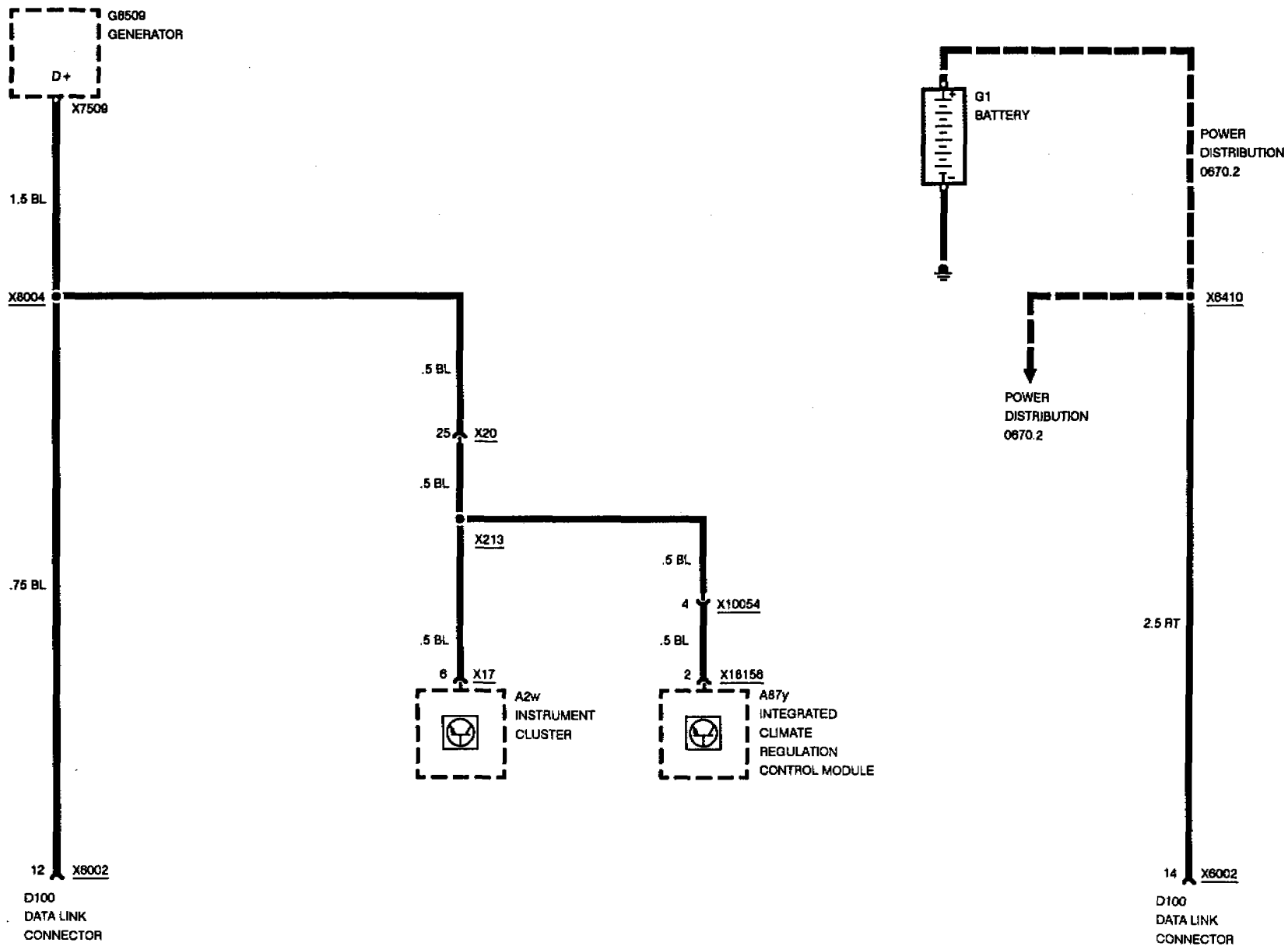
DATA LINK PINS 1 AND 11





DATA LINK

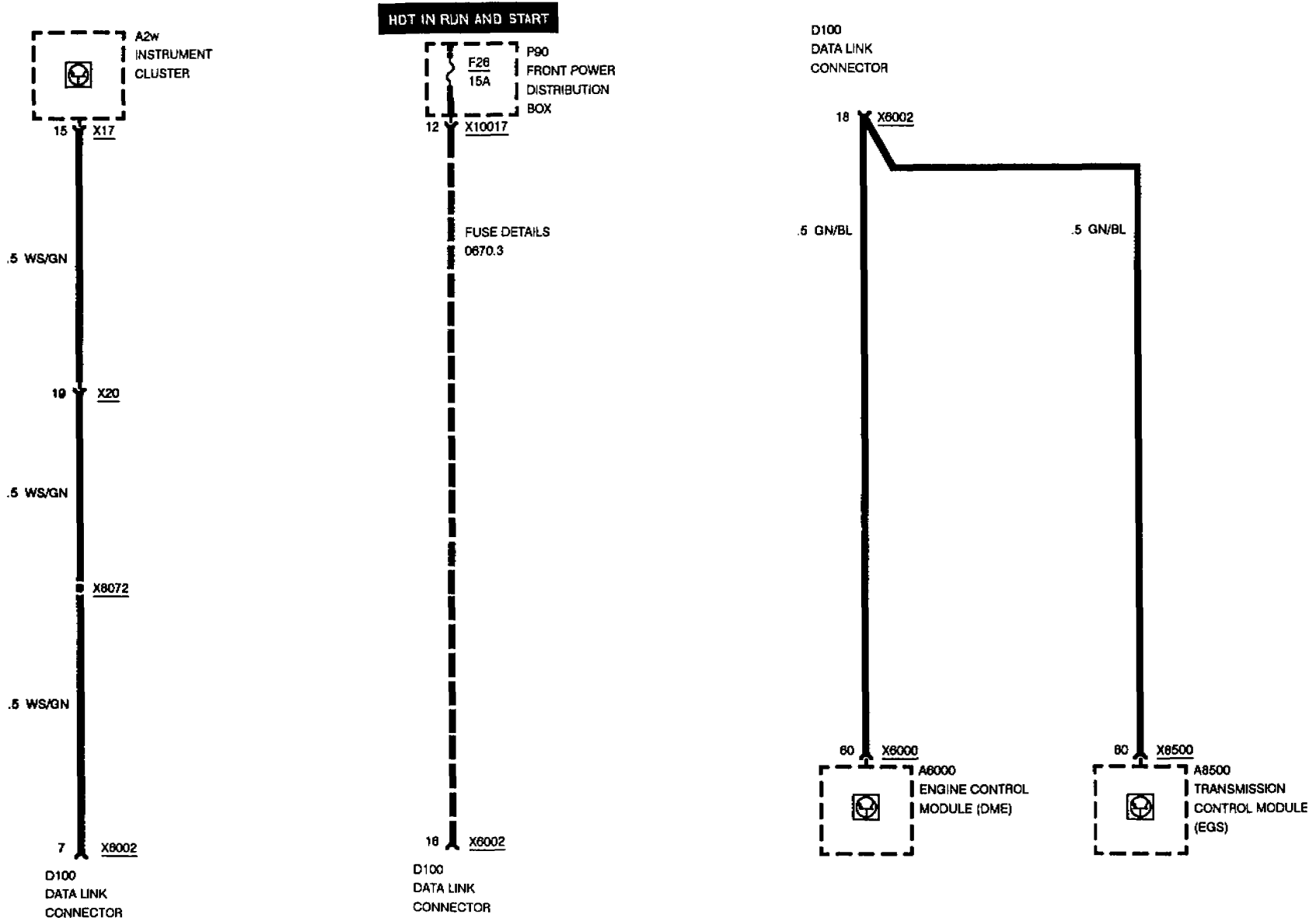
DATA LINK PINS 12 AND 14





DATA LINK

DATA LINK PINS 7, 16, AND 18

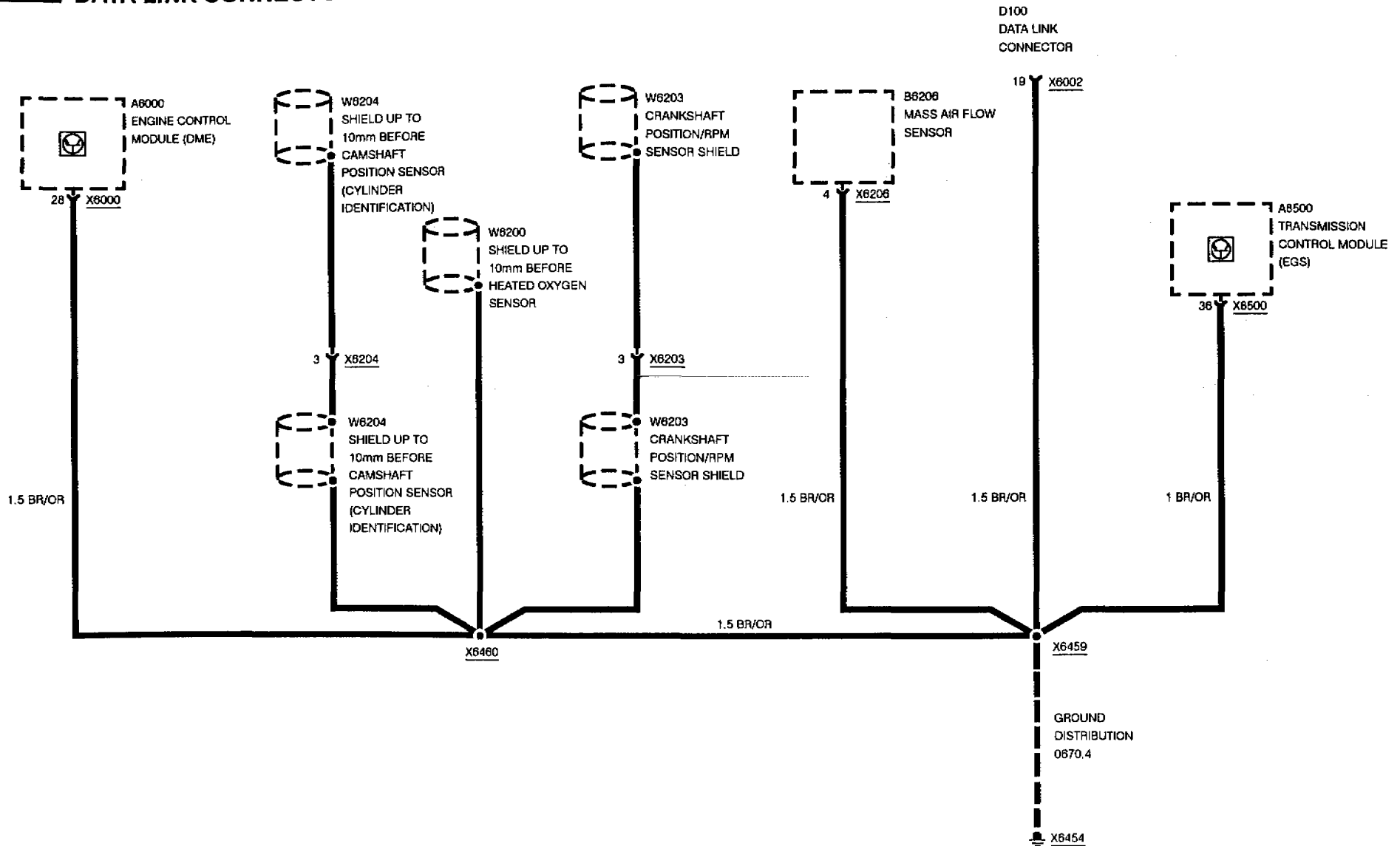




DATA LINK

DATA LINK CONNECTOR PIN 19

325i

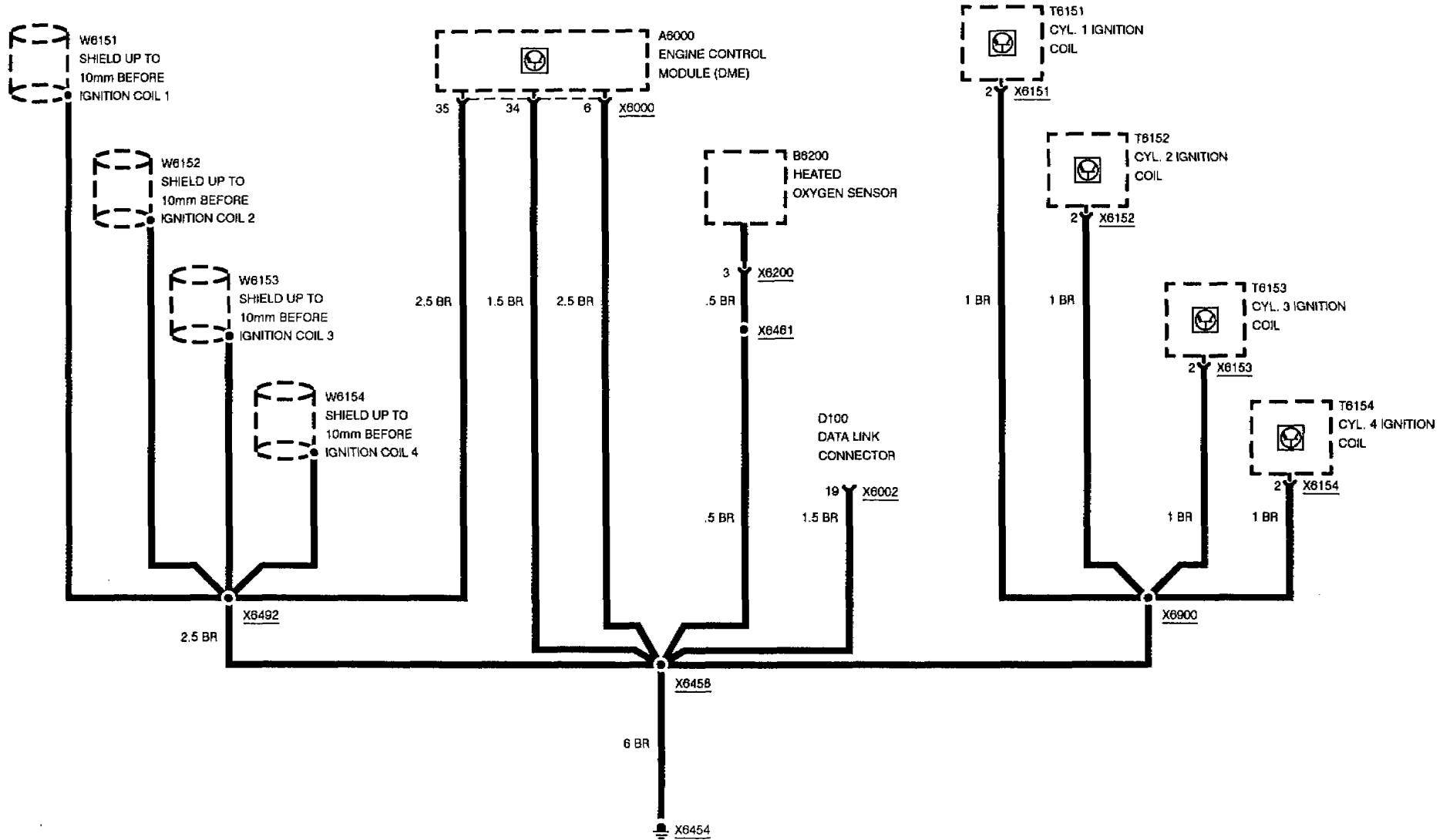




DATA LINK

DATA LINK CONNECTOR PIN 19

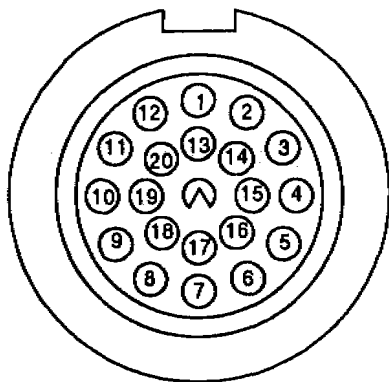
318is



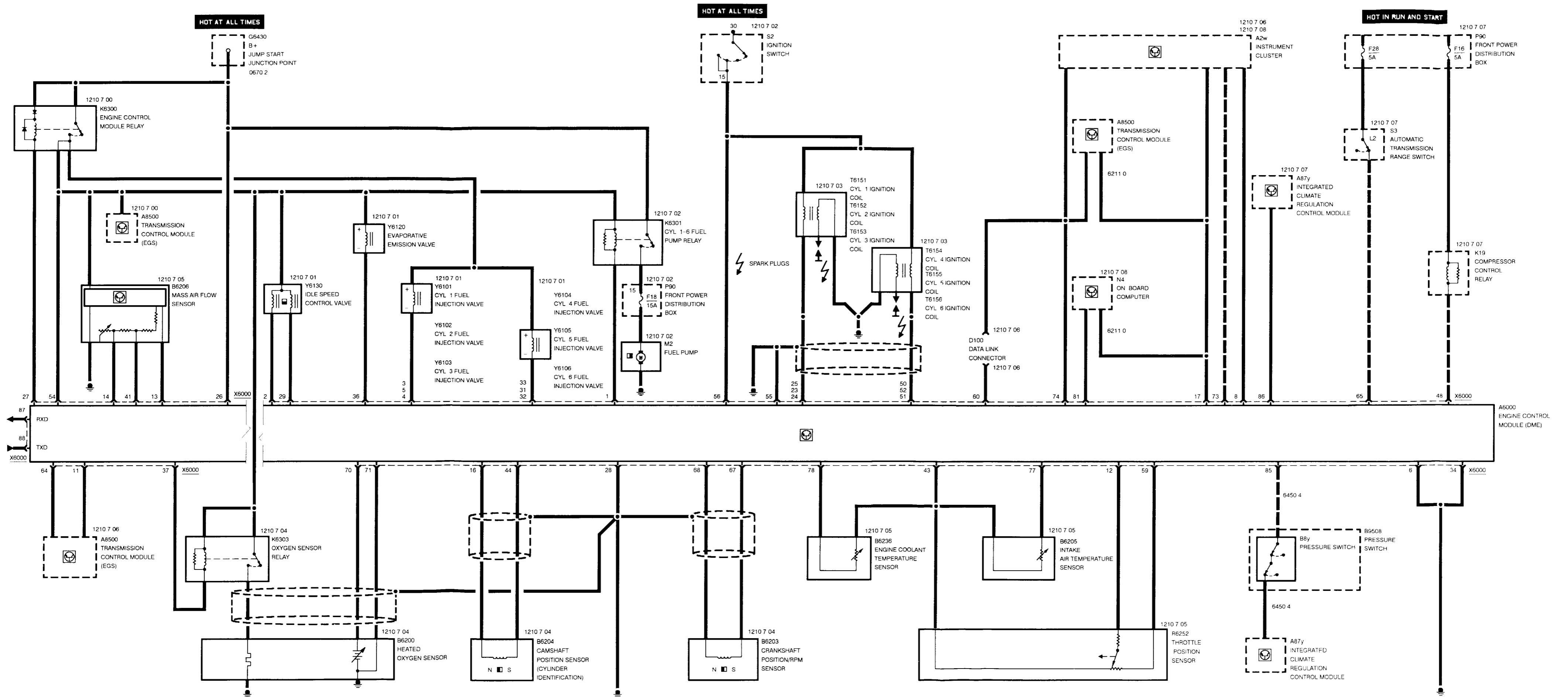


DATA LINK

DATA LINK CONNECTOR (X6002)



PIN NUMBER	TERMINAL NUMBER	TERMINAL DESCRIPTION	WIRE COLOR
1	-	MOTOR	SW
2	-	NOT OCCUPIED	
3	-	NOT OCCUPIED	
4	-	NOT OCCUPIED	
5	-	NOT OCCUPIED	
6	-	NOT OCCUPIED	
7	SI	SERVICE INTERVAL RESET	WS/GN
8	-	NOT OCCUPIED	
9	-	NOT OCCUPIED	
10	-	NOT OCCUPIED	
11	50	VOLTAGE: IGNITION SWITCH IN START	SW/GE
12	61(D+)	GENERATOR CHARGE INDICATOR	BL
13	-	NOT OCCUPIED	
14	30	VOLTAGE: HOT AT ALL TIMES	RT
15	RXD	DIAGNOSTIC DATA LINK	WS/GE
16	15S	VOLTAGE: IGNITION SWITCH IN RUN AND START	GN/WS
17	-	NOT OCCUPIED	
18	-	PROGRAM SELECT FOR ENGINE CONTROL MODULE (DME) GN/BL	
19	31	GROUND	BR
20	TXD	DIAGNOSTIC DATA LINK	WS/VI



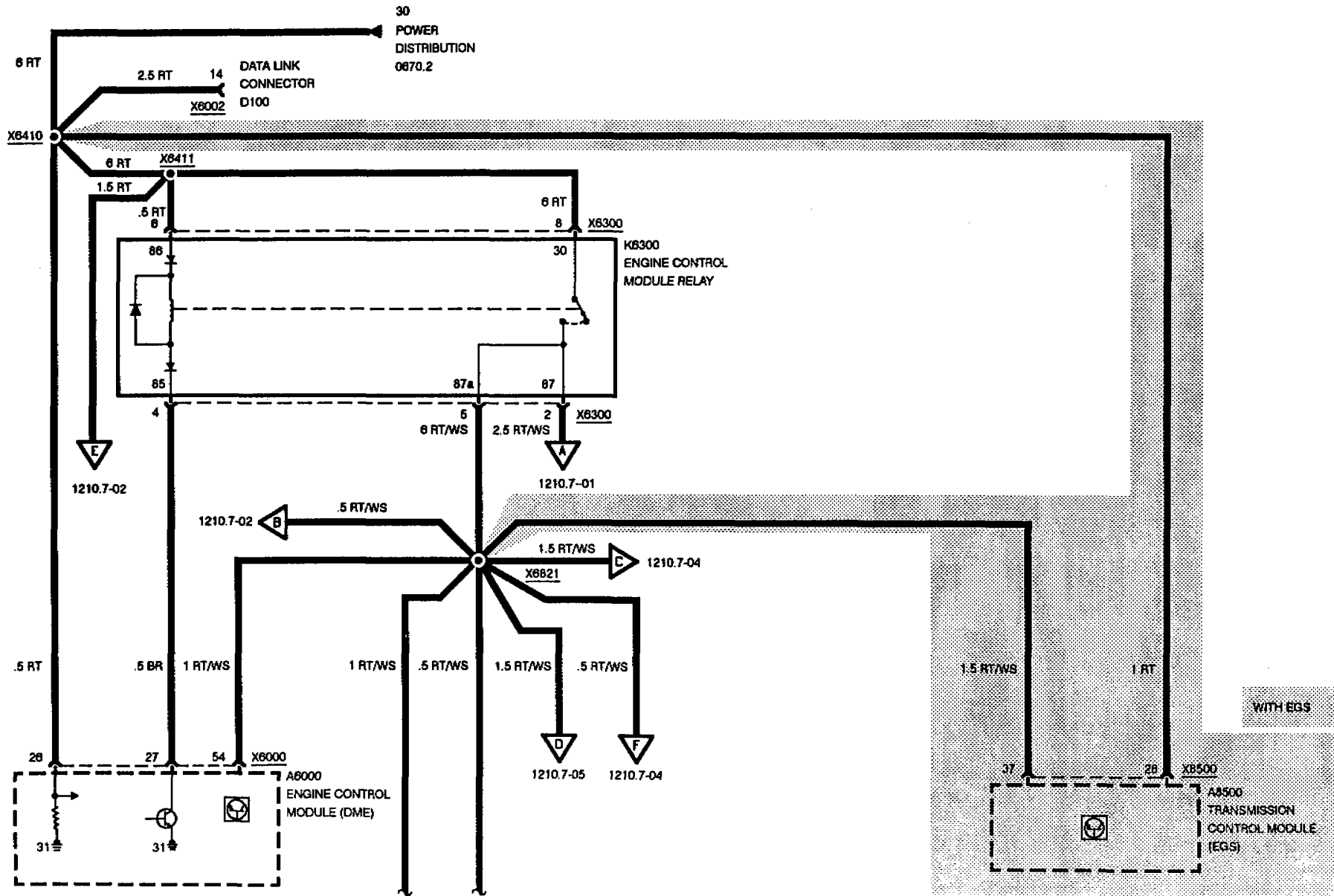
BMW
3

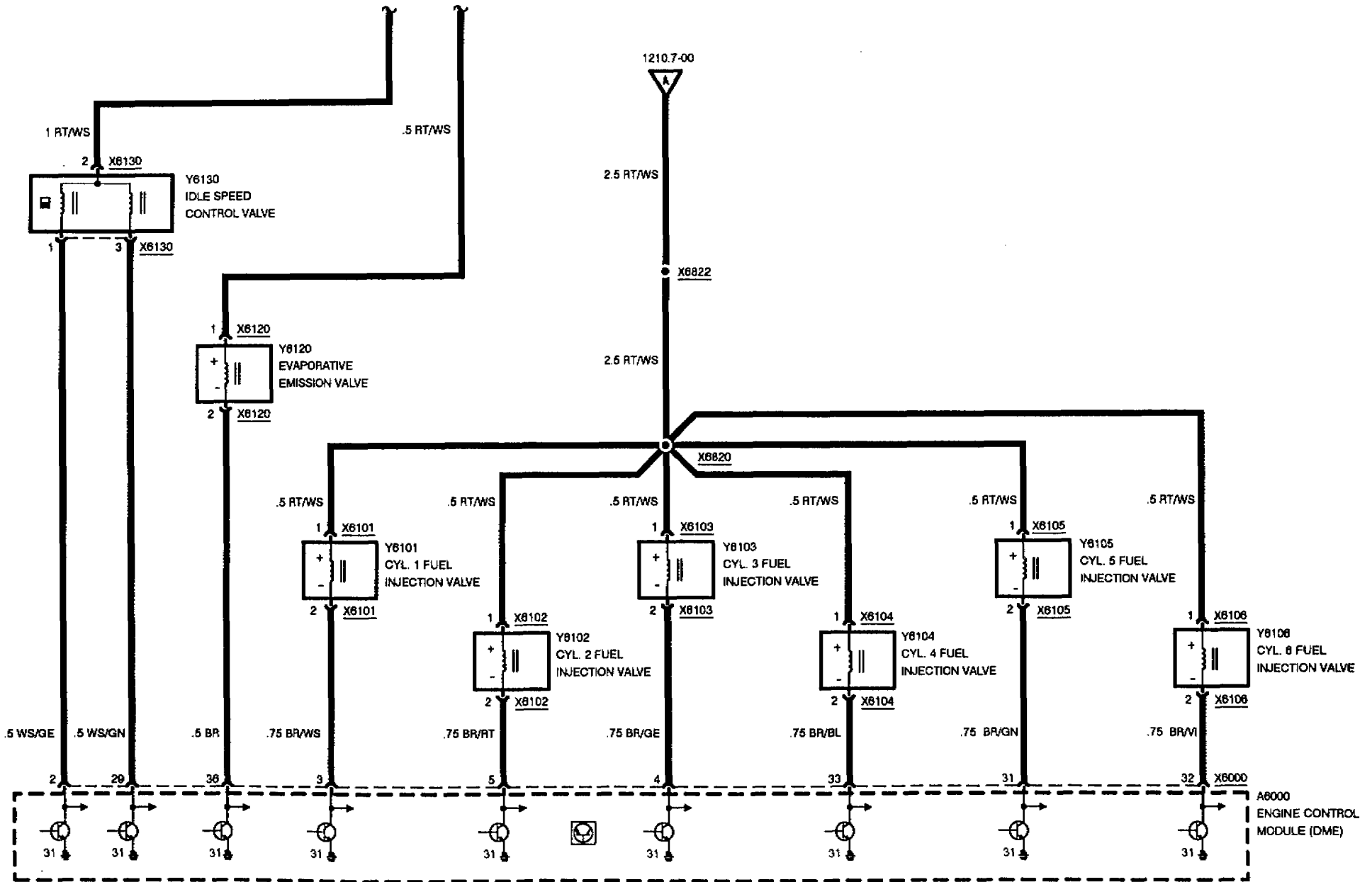


1210.7



ENGINE CONTROL SYSTEM (DME M3.1, 6-CYLINDER M50) POWER, FUEL INJECTION VALVES

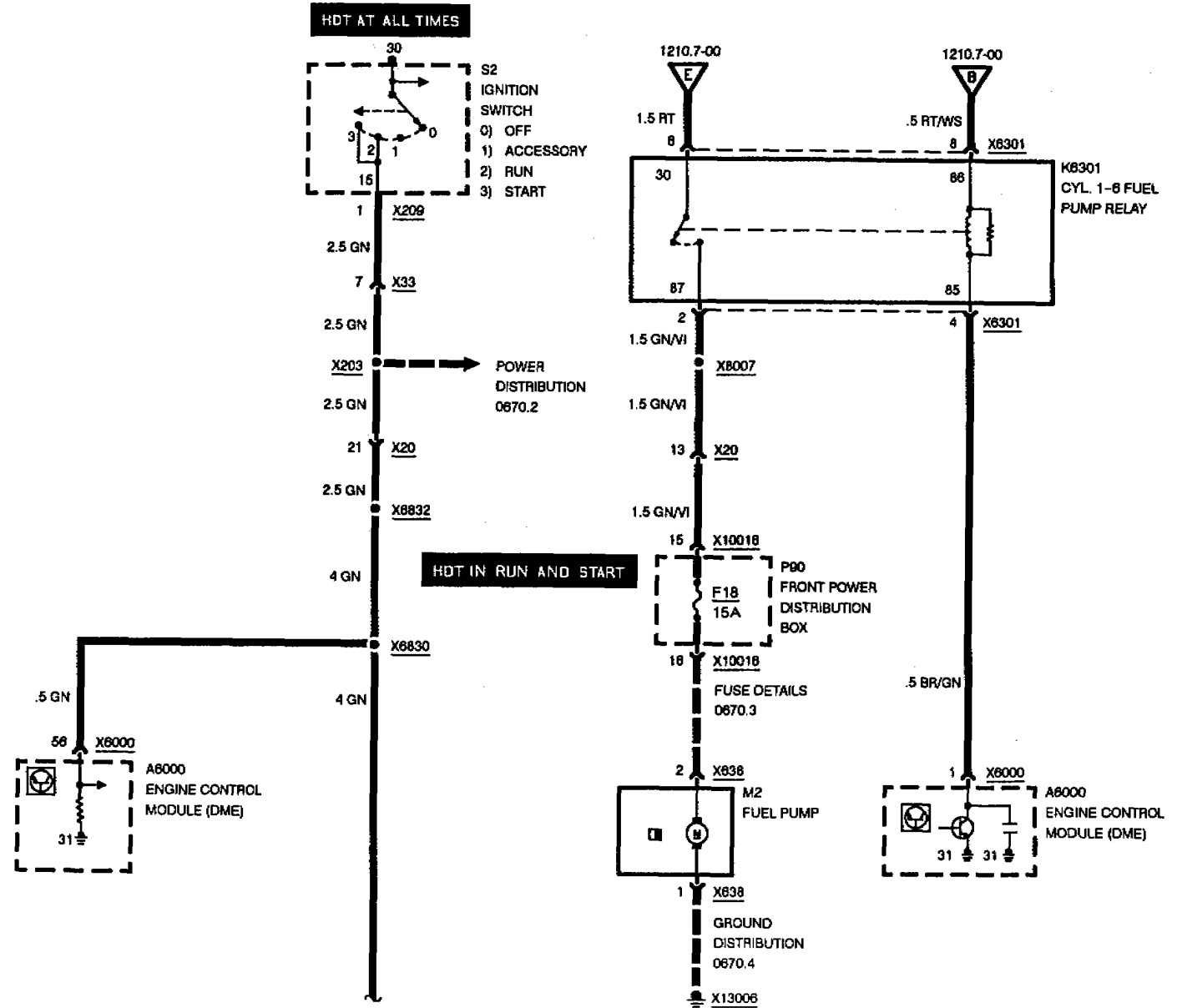


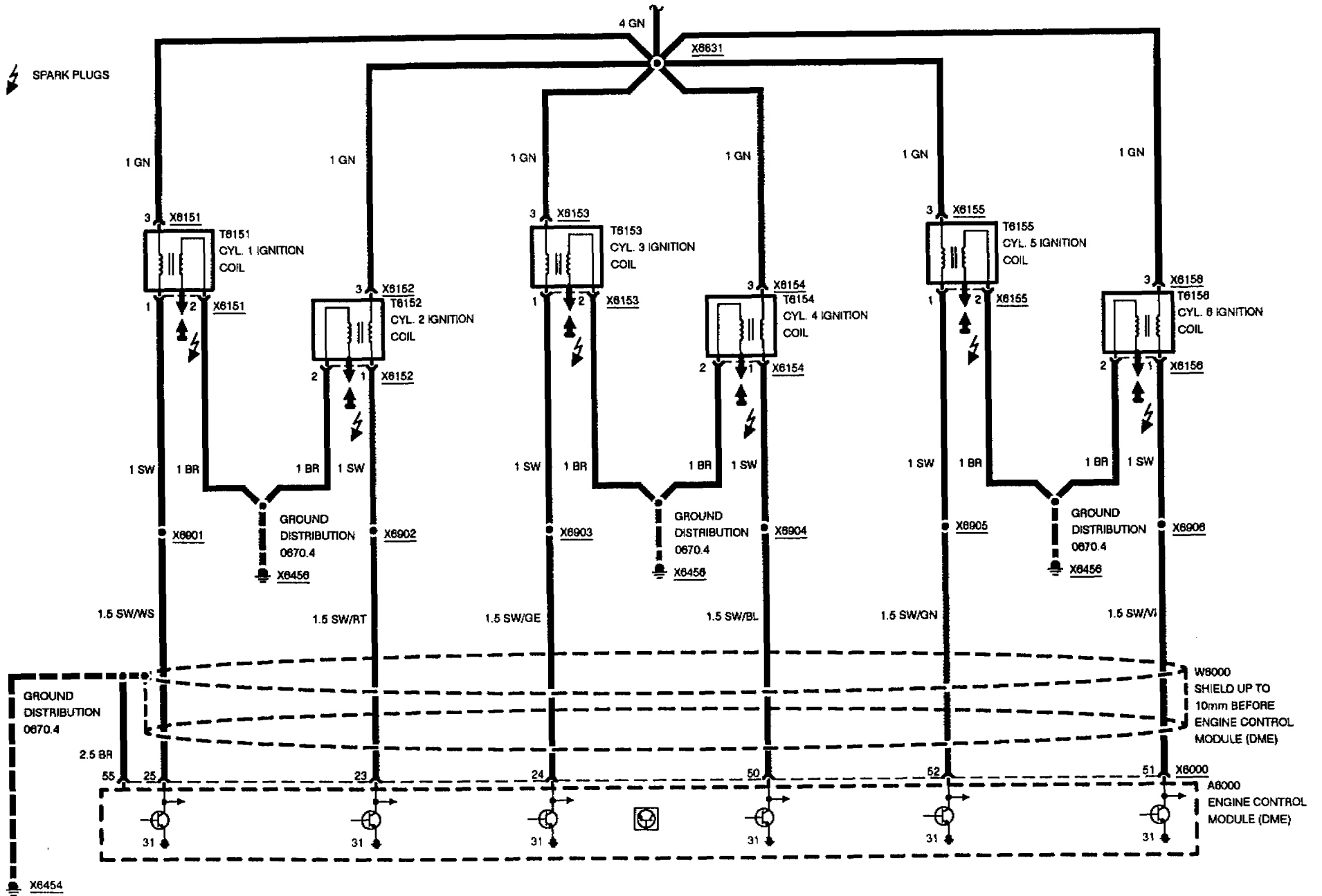




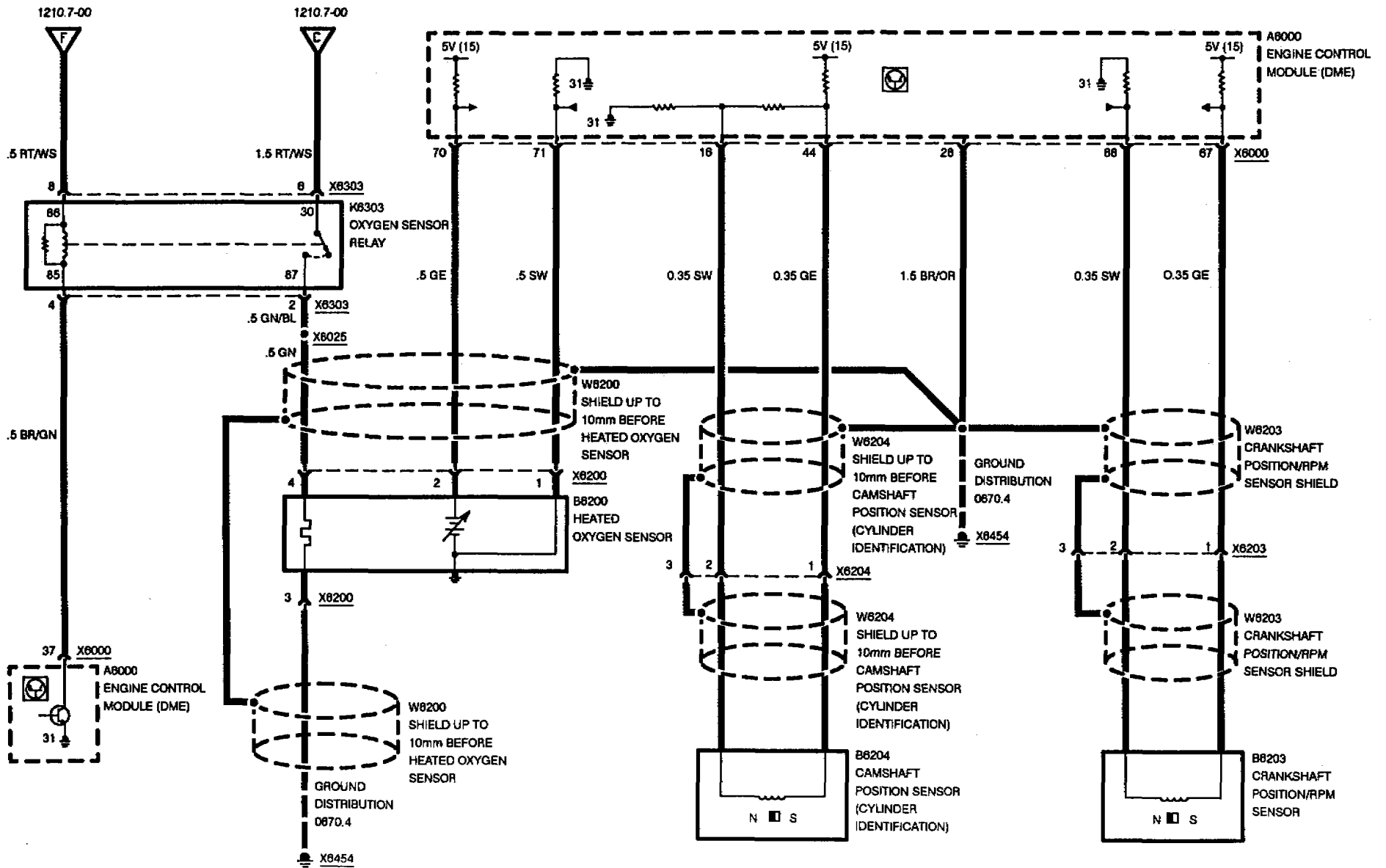
ENGINE CONTROL SYSTEM (DME M3.1, 6-CYLINDER M50)

FUEL PUMP, IGNITION COILS

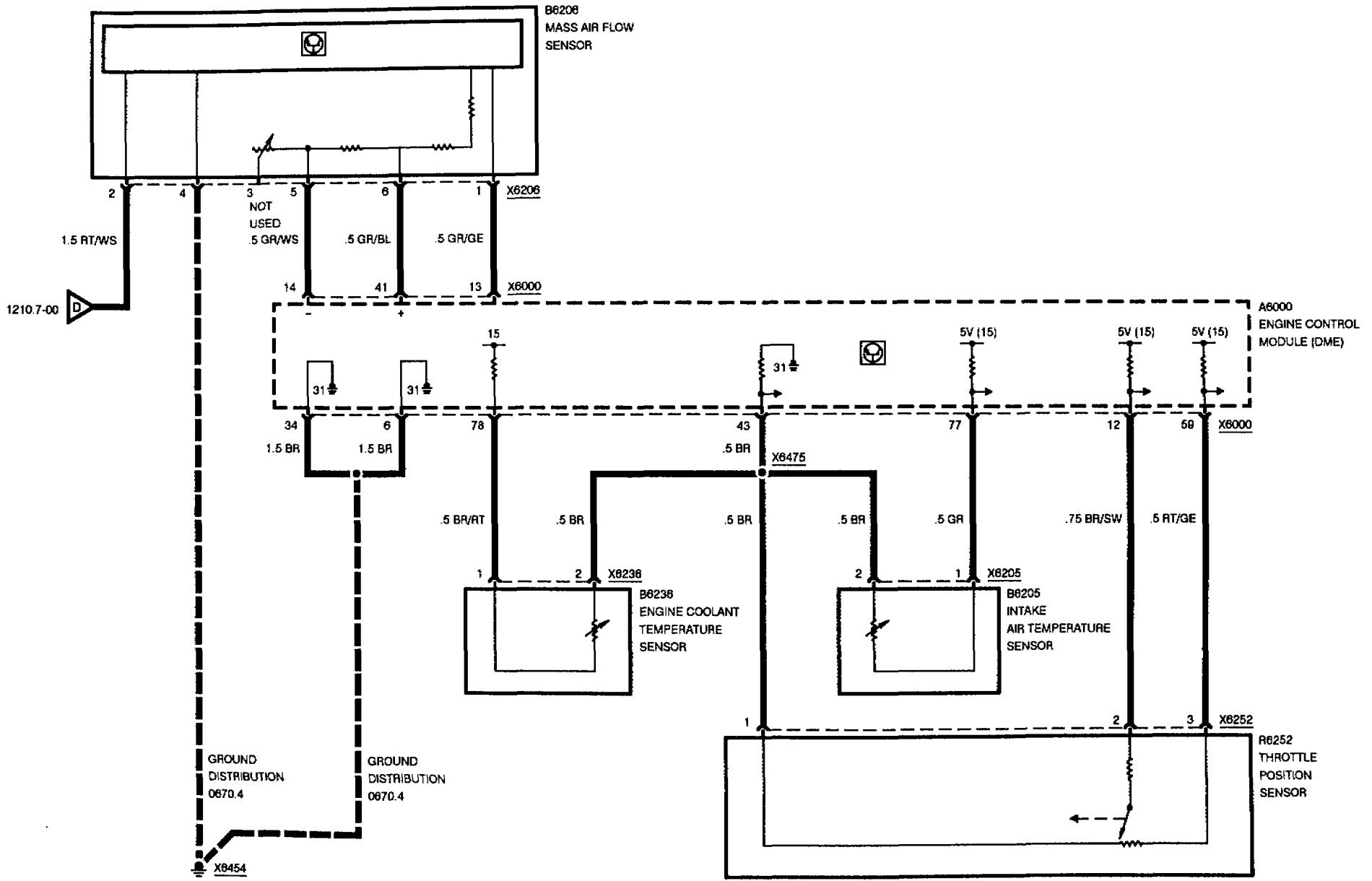




ENGINE CONTROL SYSTEM (DME M3.1, 6-CYLINDER M50)
HEATED OXYGEN SENSOR, CRANKSHAFT SENSORS



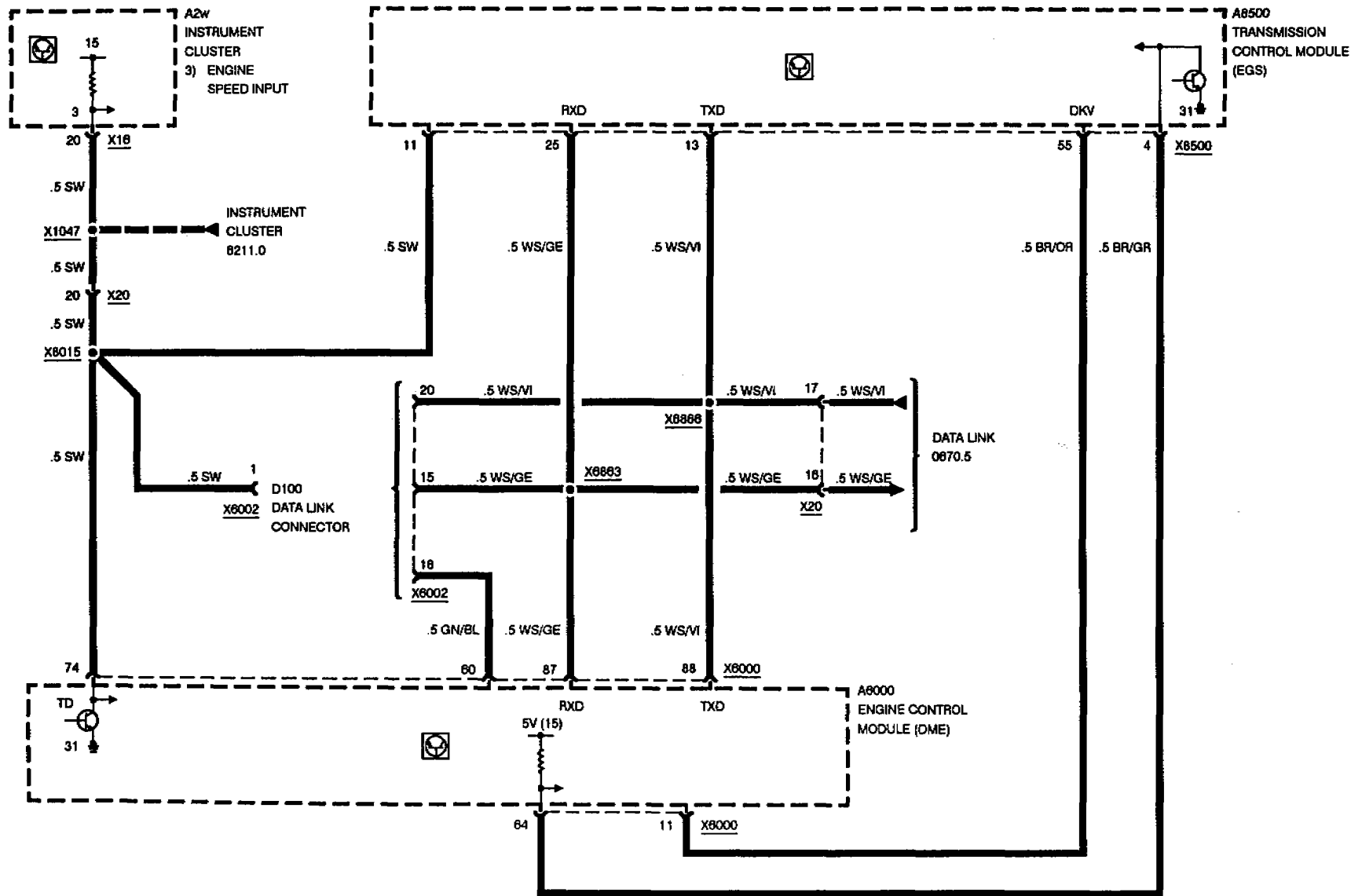
ENGINE CONTROL SYSTEM (DME M3.1, 6-CYLINDER M50)



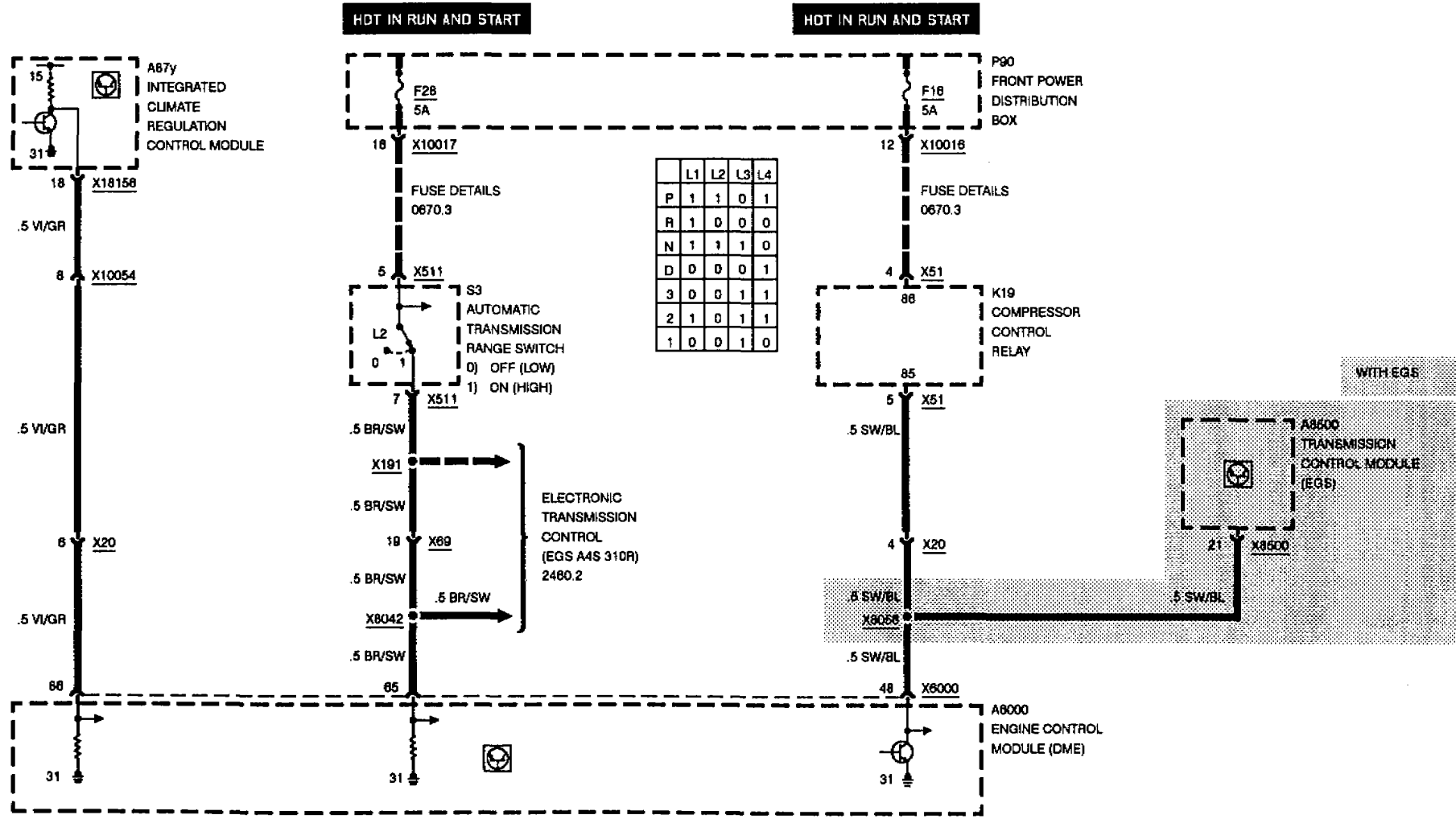


ENGINE CONTROL SYSTEM (DME M3.1, 6-CYLINDER M50)

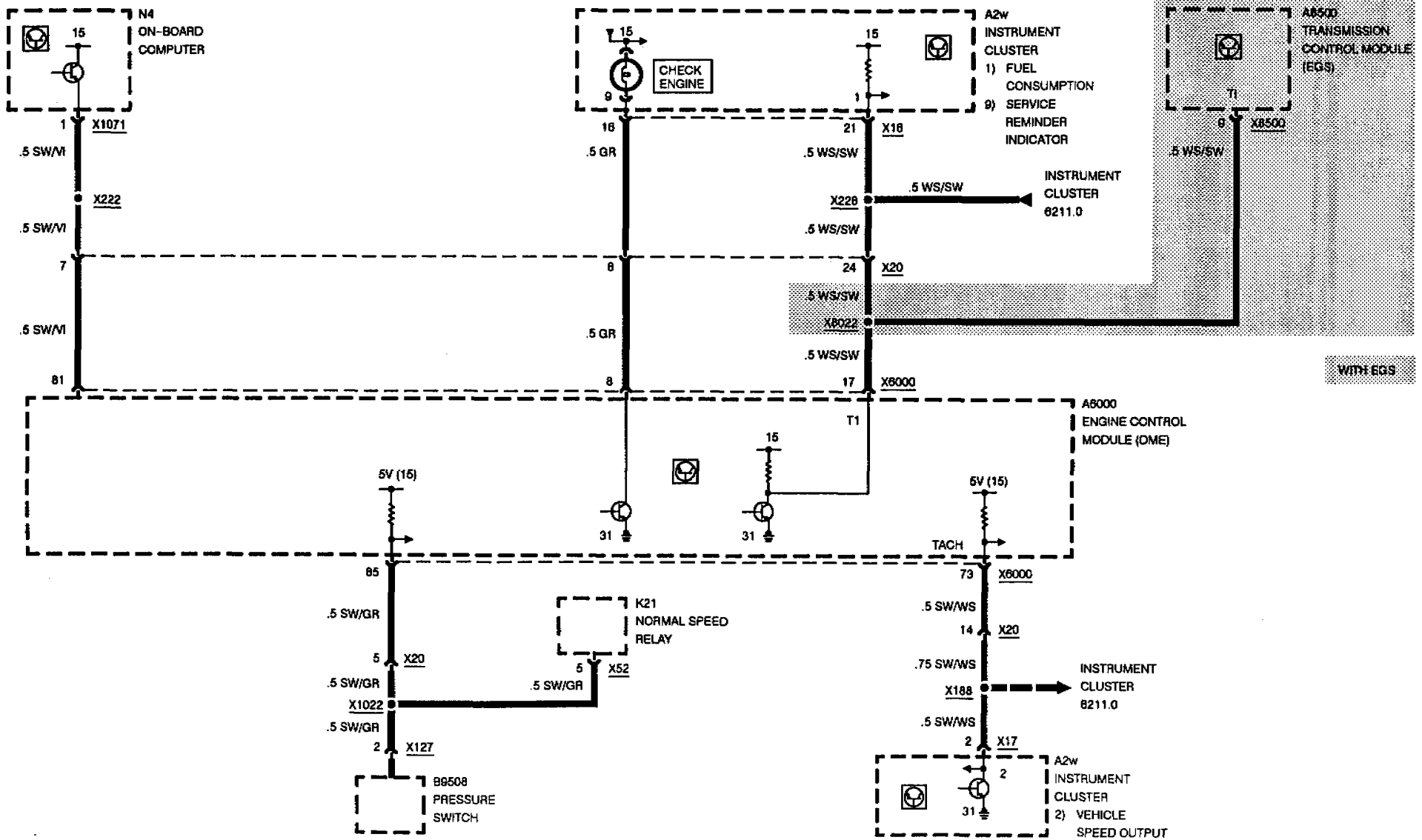
DATA LINK

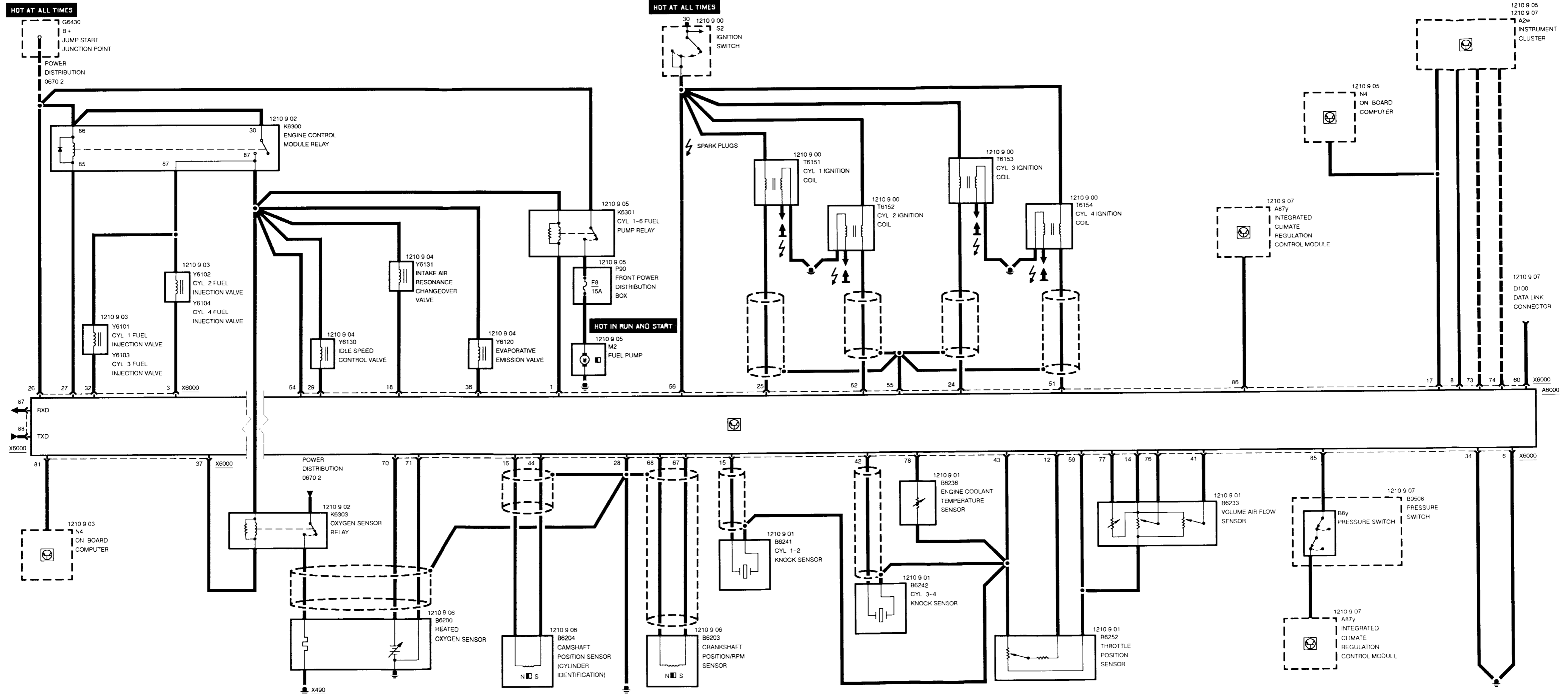


ENGINE CONTROL SYSTEM (DME M3.1, 6-CYLINDER M50)



ENGINE CONTROL SYSTEM (DME M3.1, 6-CYLINDER M50)

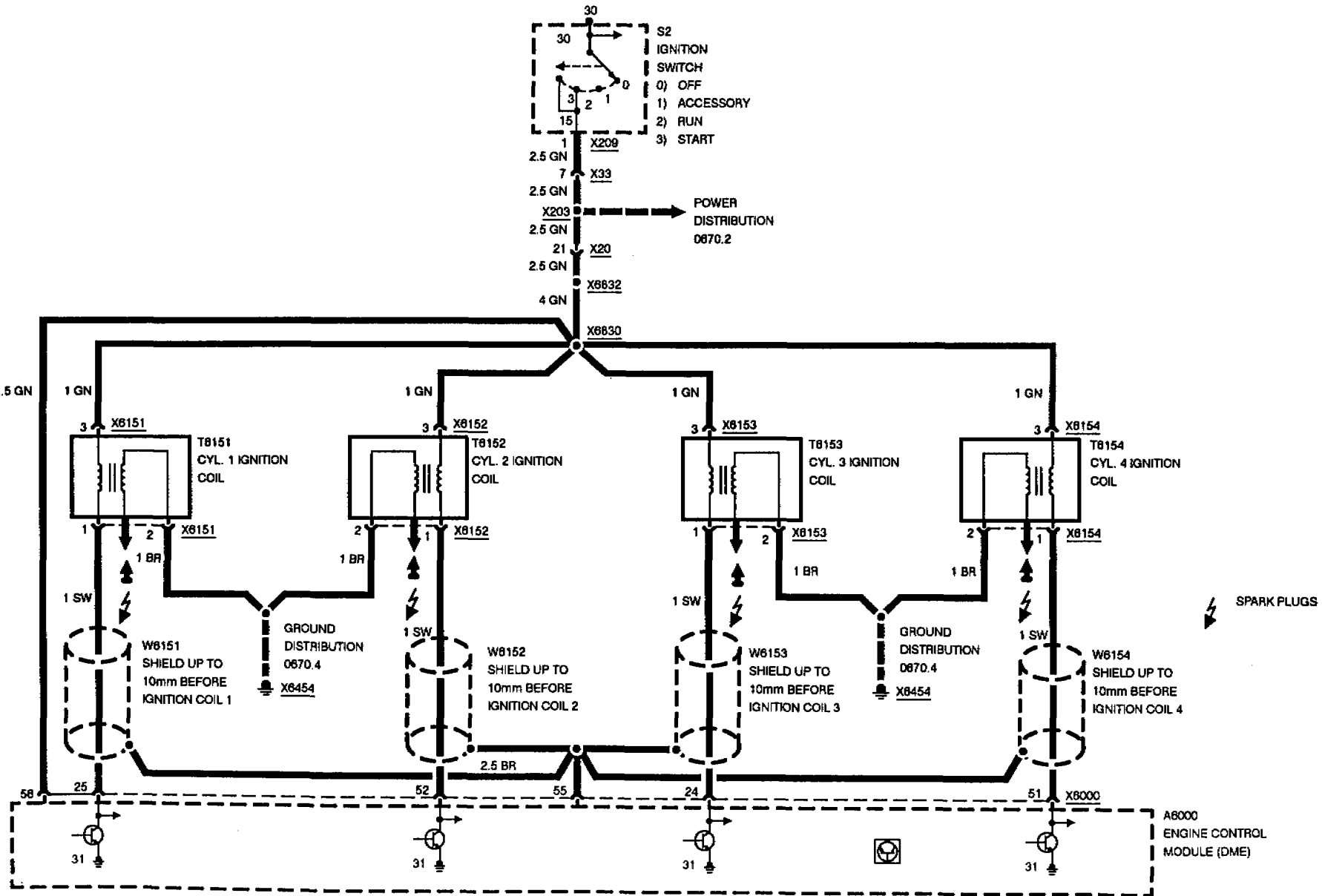




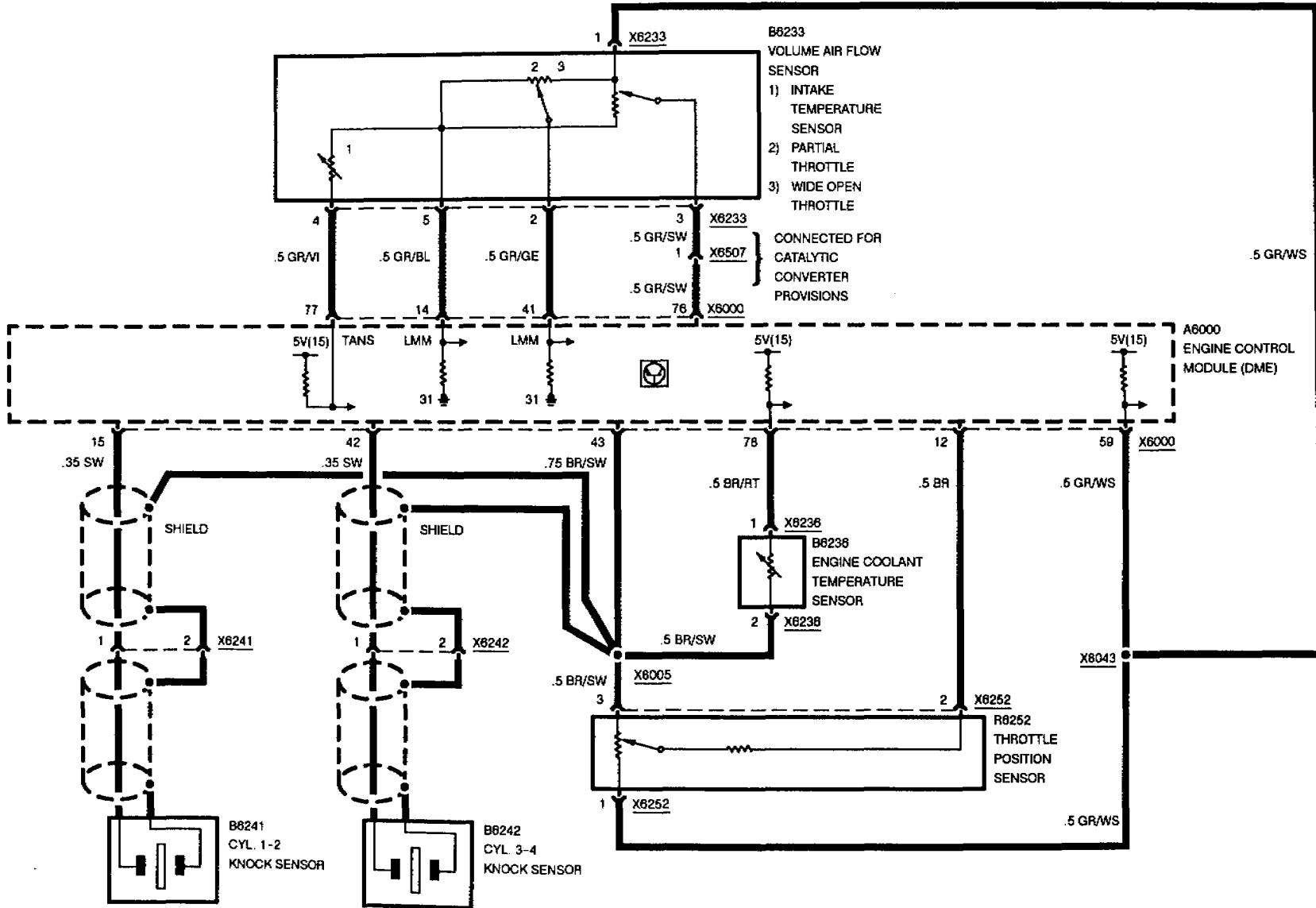




ENGINE CONTROL SYSTEM (DME M1.7, 4-CYLINDER M42)

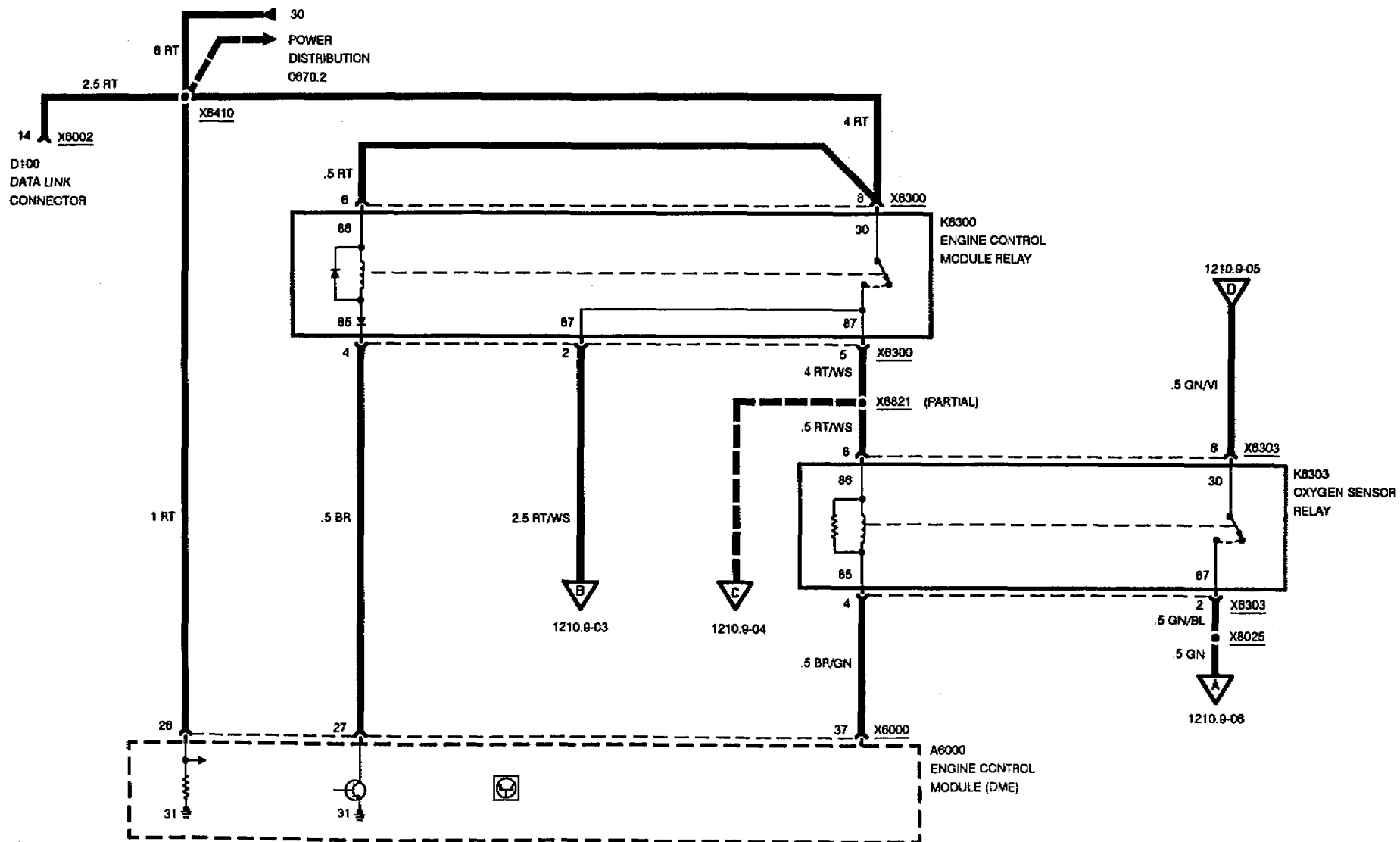


ENGINE CONTROL SYSTEM (DME M1.7, 4-CYLINDER M42)



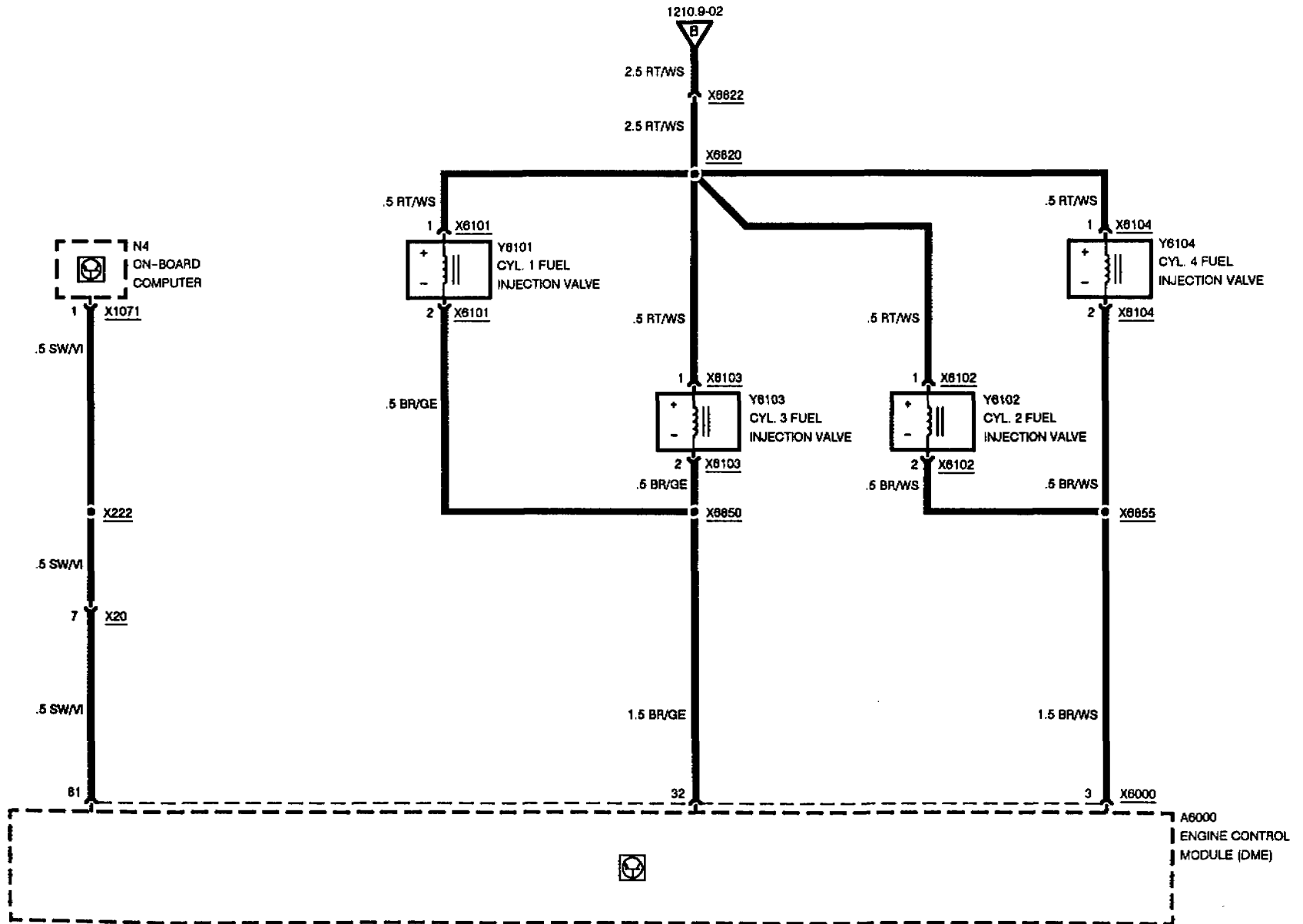


ENGINE CONTROL SYSTEM (DME M1.7, 4-CYLINDER M42)



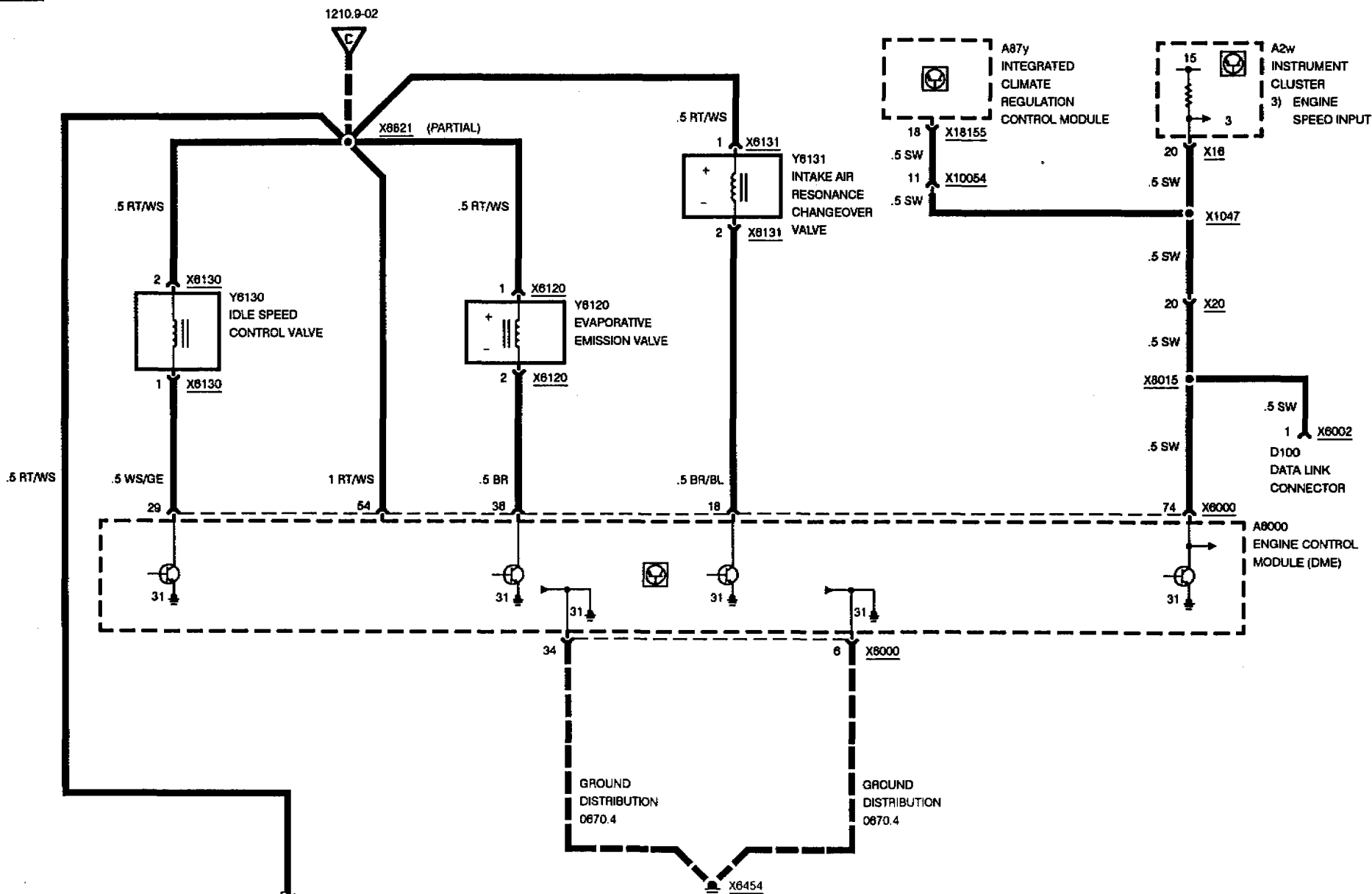


ENGINE CONTROL SYSTEM (DME M1.7, 4-CYLINDER M42)





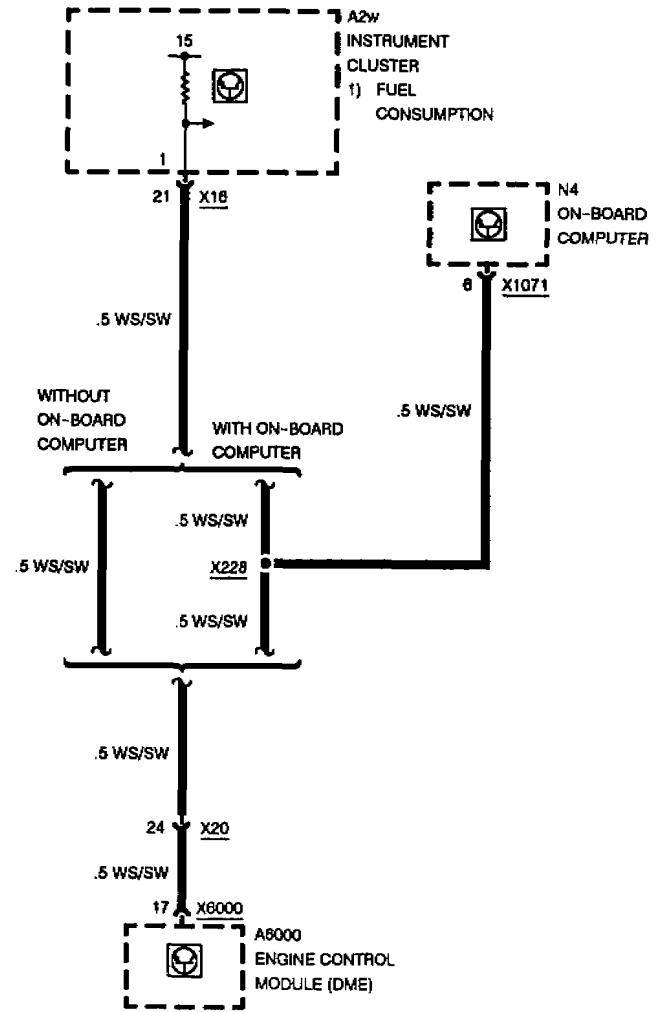
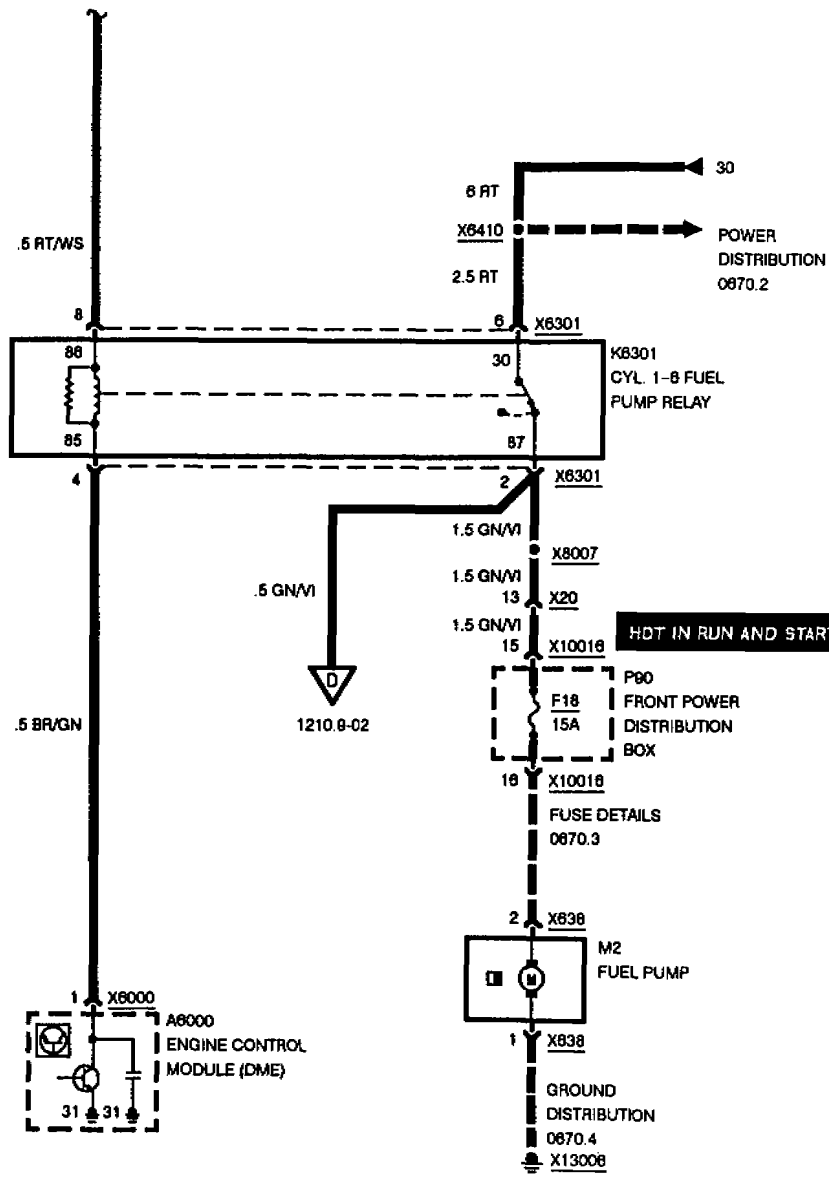
ENGINE CONTROL SYSTEM (DME M1.7, 4-CYLINDER M42)



11/92

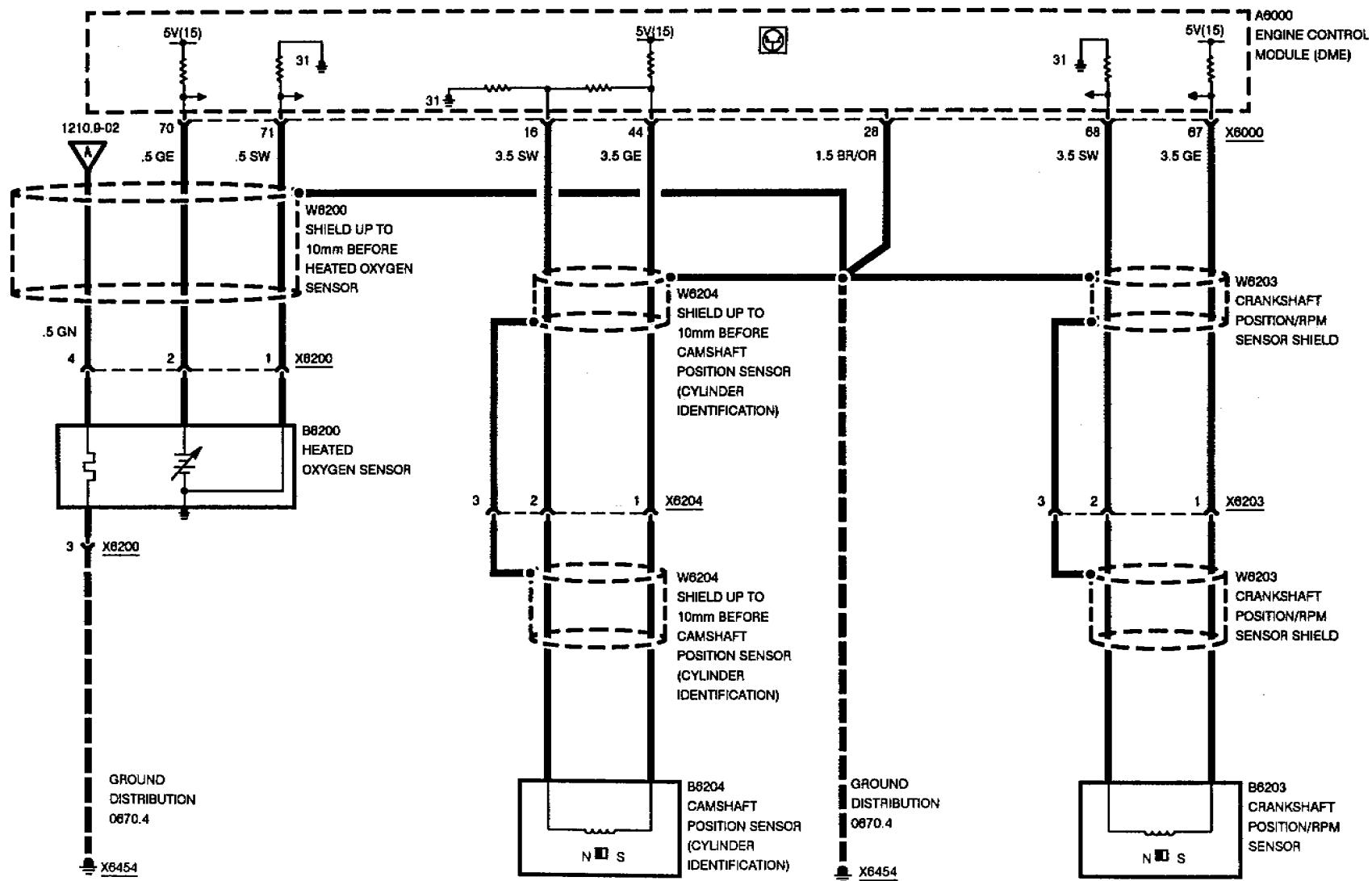
1210.9-04

1992



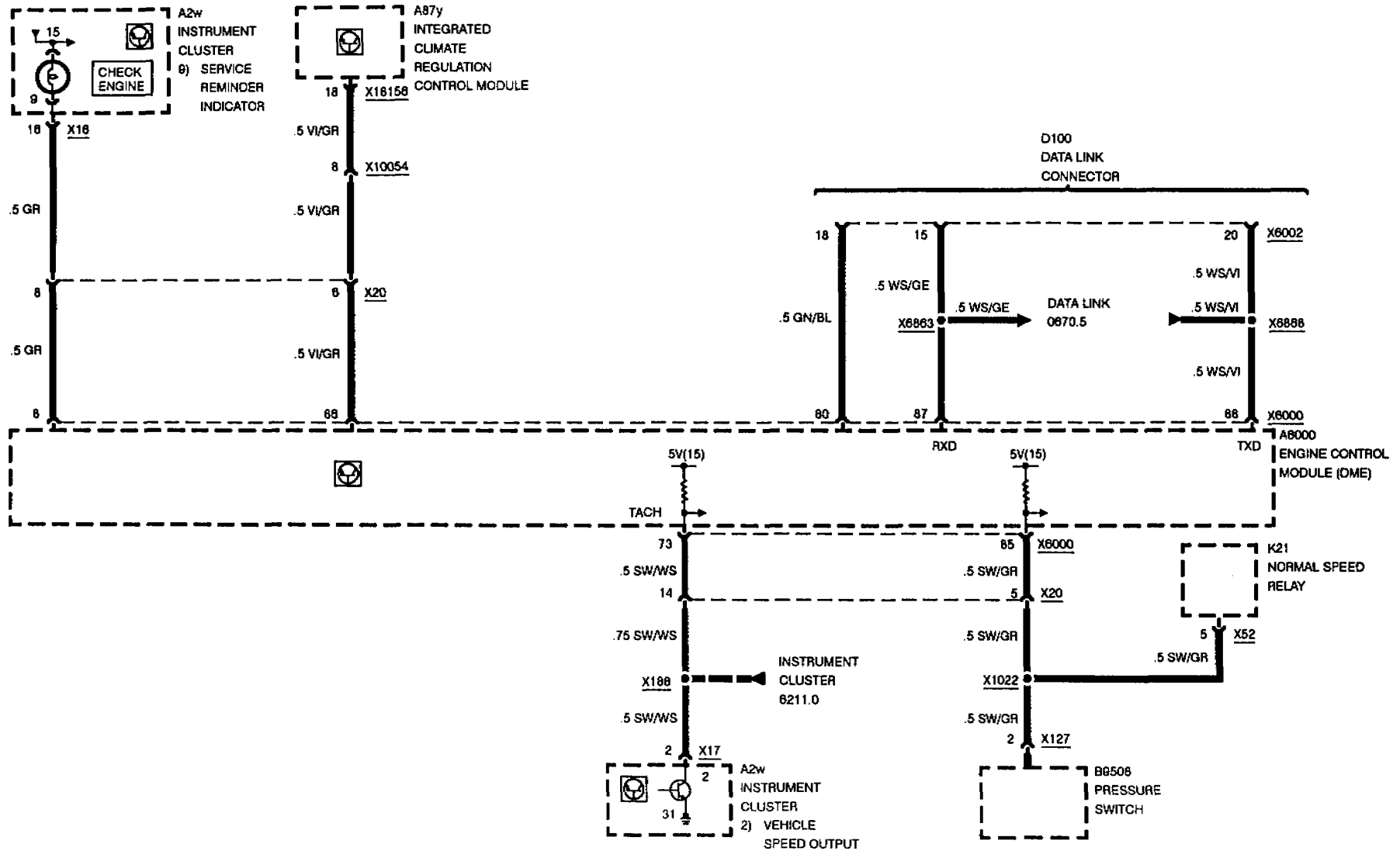


ENGINE CONTROL SYSTEM (DME M1.7, 4-CYLINDER M42)

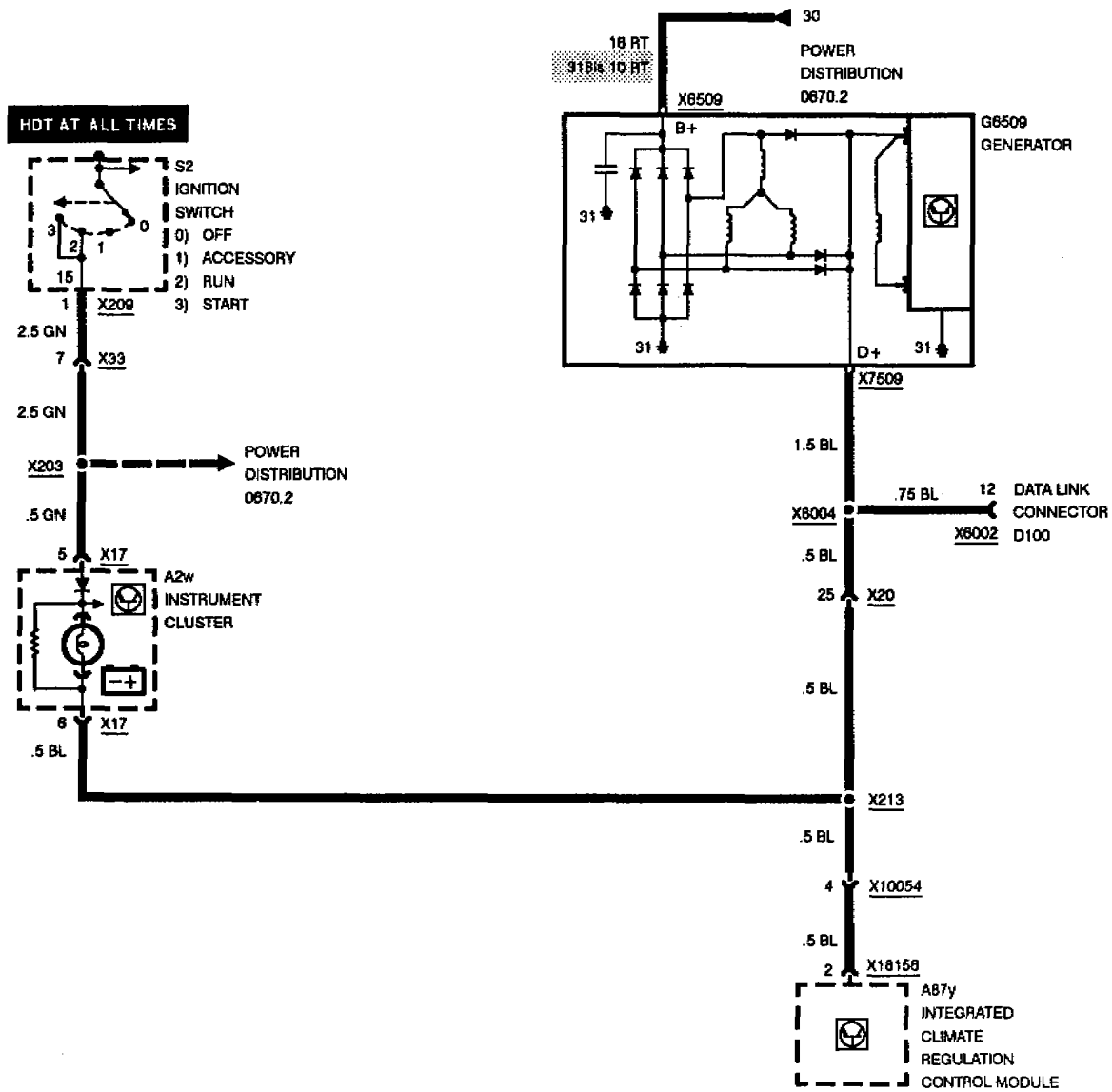




ENGINE CONTROL SYSTEM (DME M1.7, 4-CYLINDER M42)

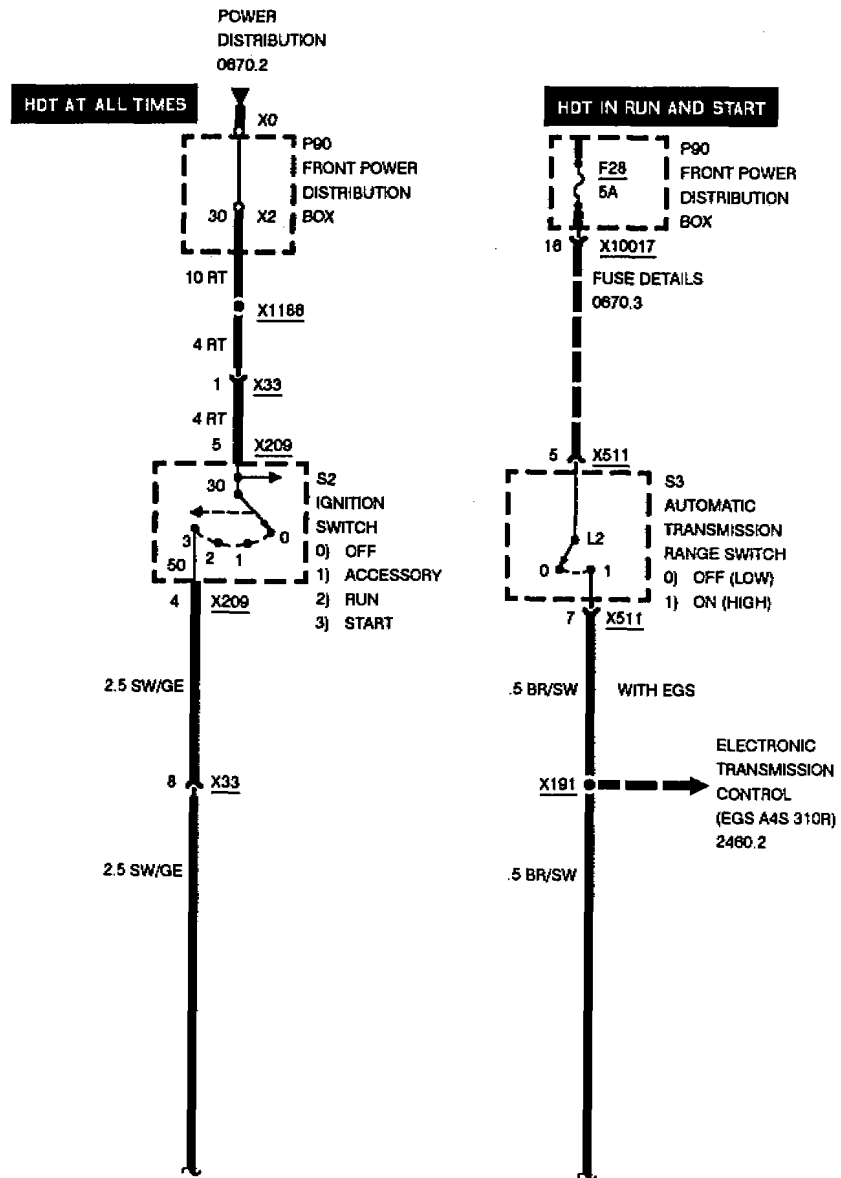


CHARGING SYSTEM



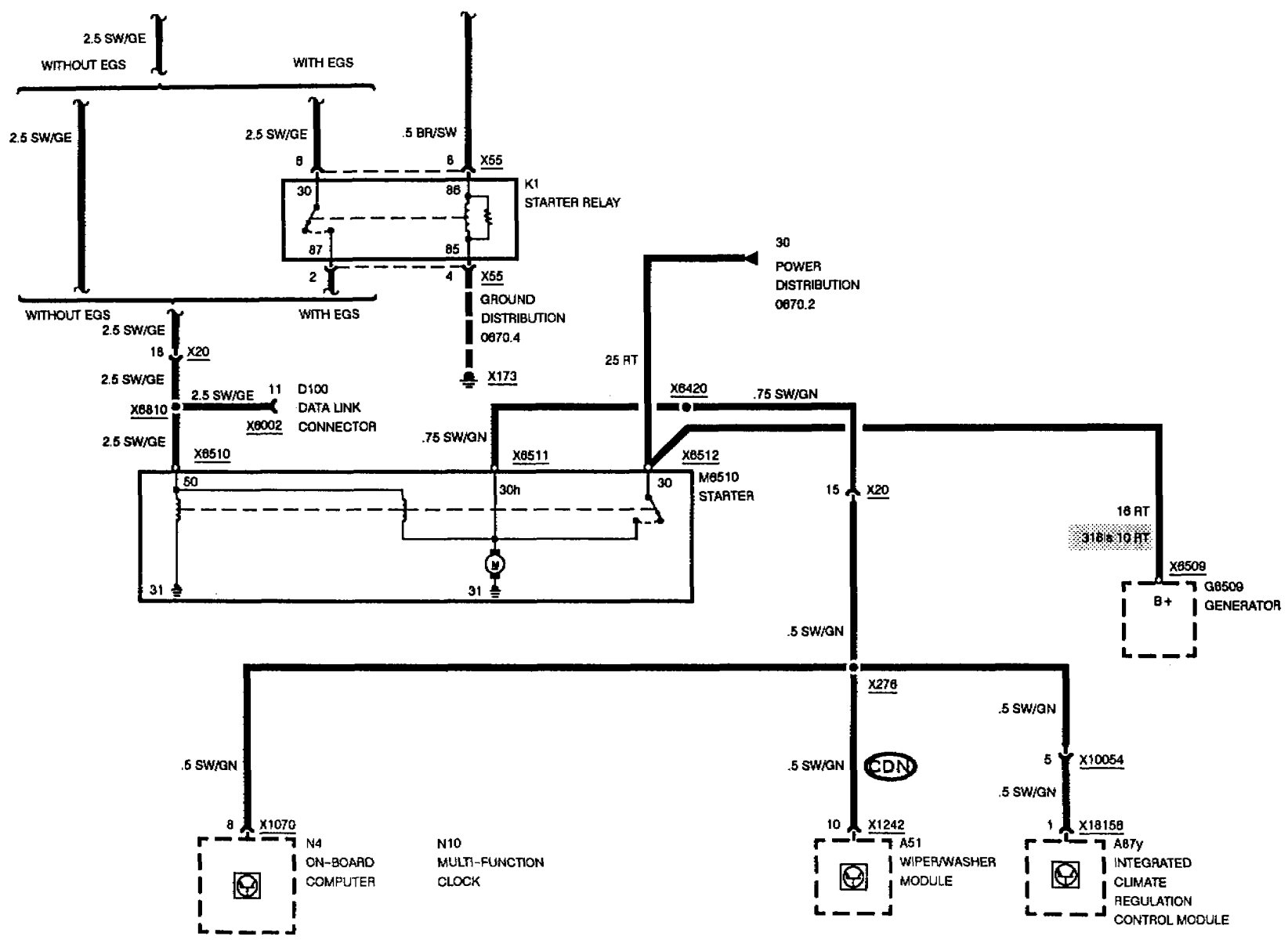
BMW
3

1240.0



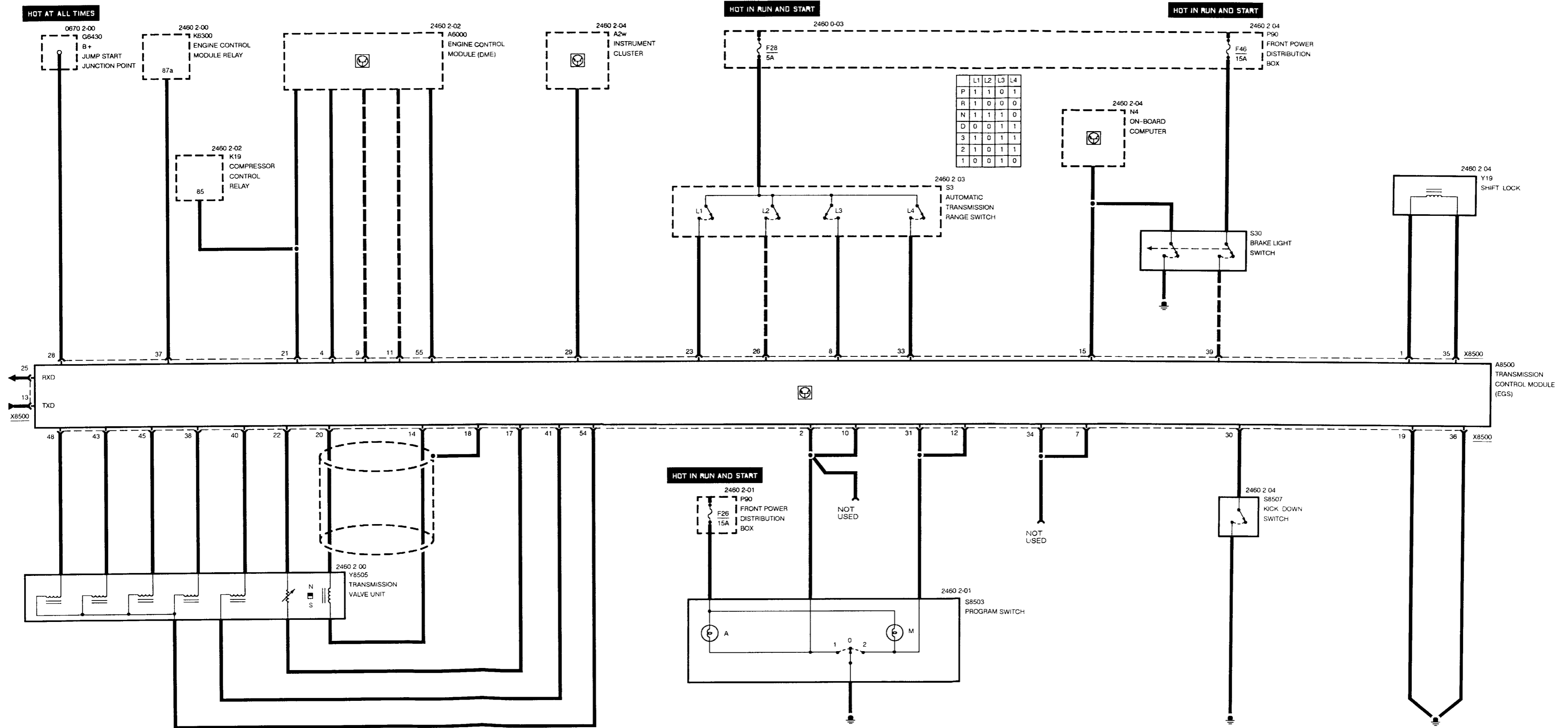
EGS A4S 310R

	L1	L2	L3	L4
P	1	1	0	1
R	1	0	0	0
N	1	1	1	0
D	0	0	0	1
3	0	0	1	1
2	1	0	1	1
1	0	0	1	0



BMW
3

1240.0-02



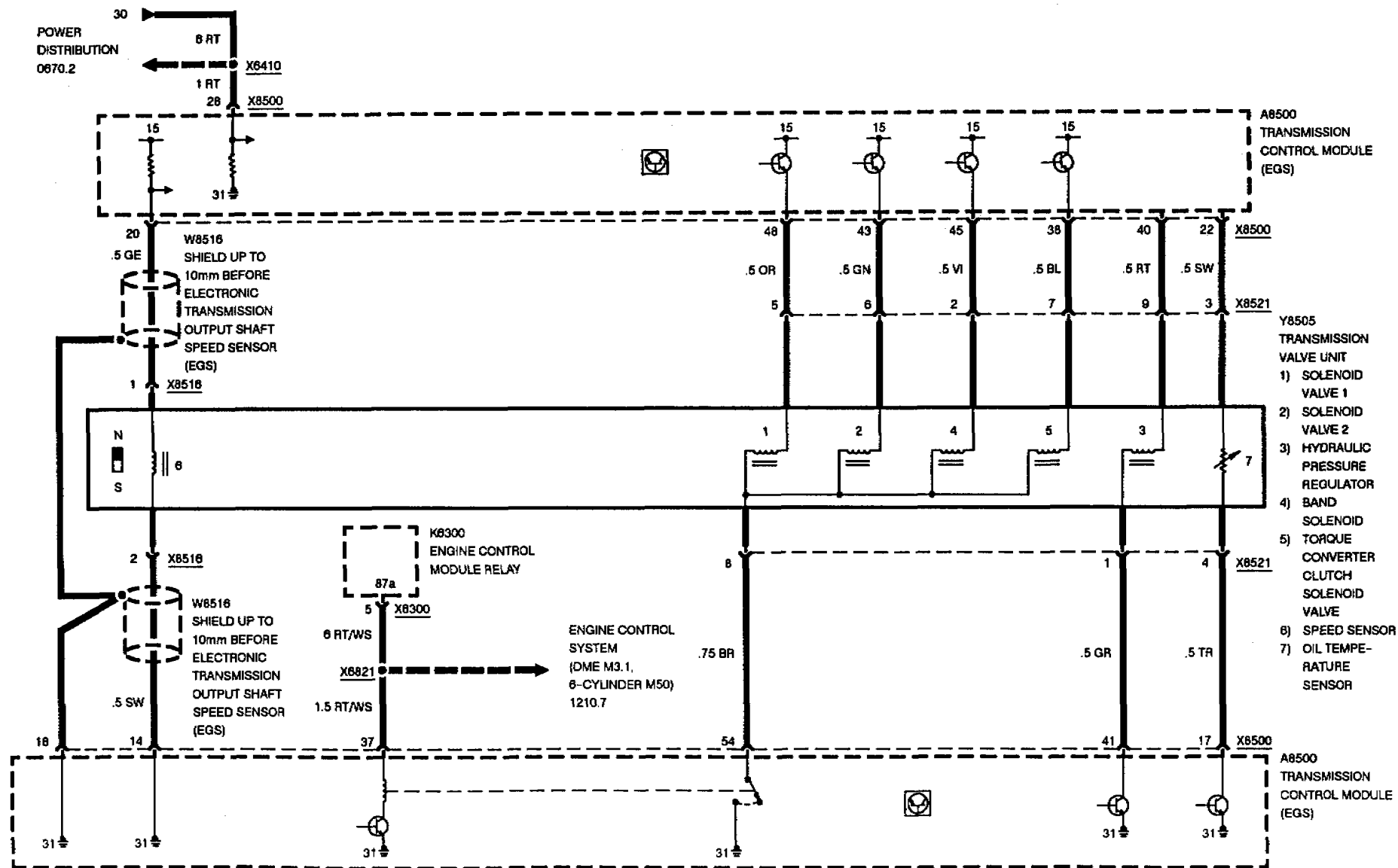
BMW
3

2460.2



ELECTRONIC TRANSMISSION CONTROL (EGS A4S 310R)

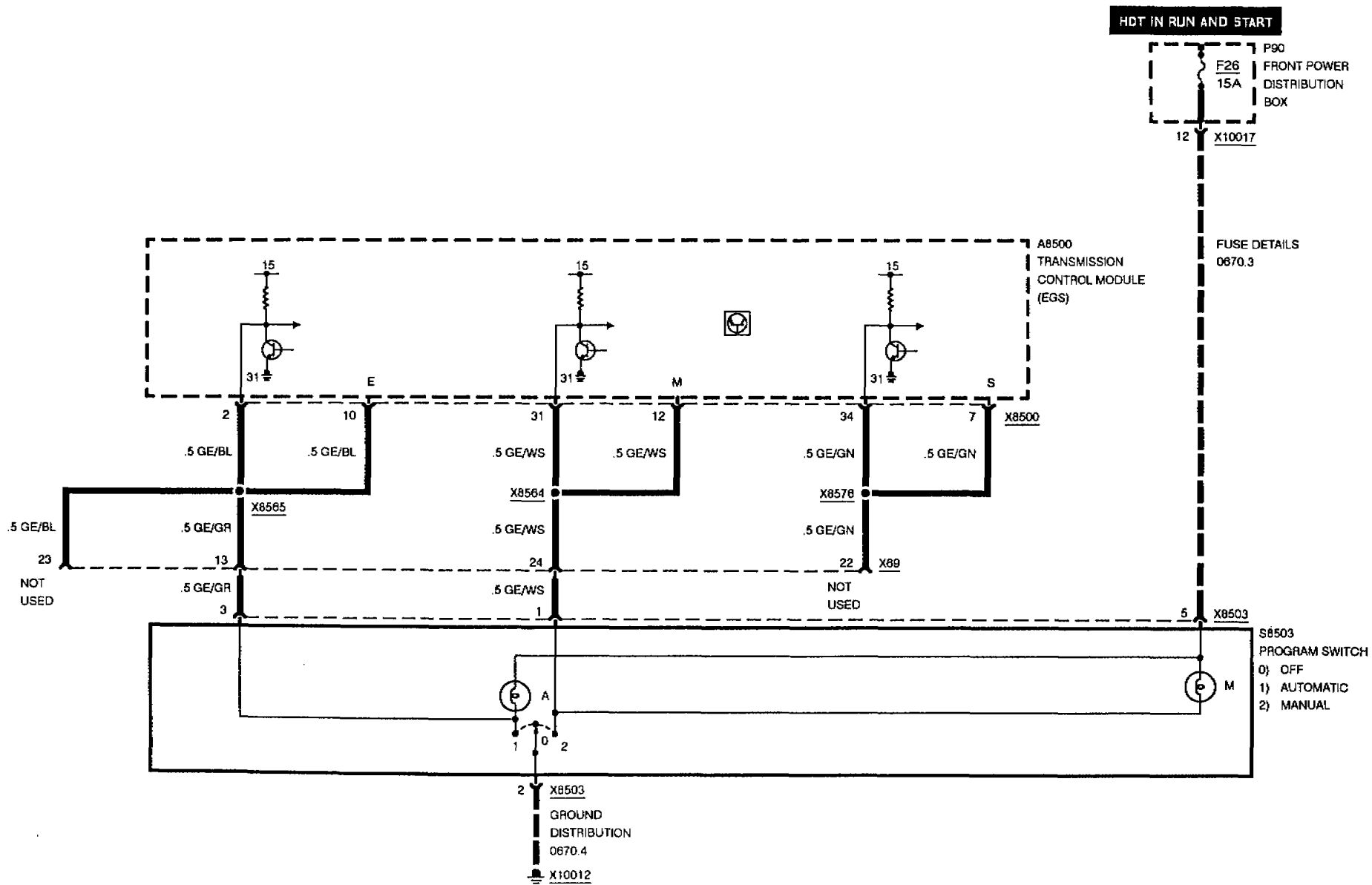
POWER, VALVE UNIT



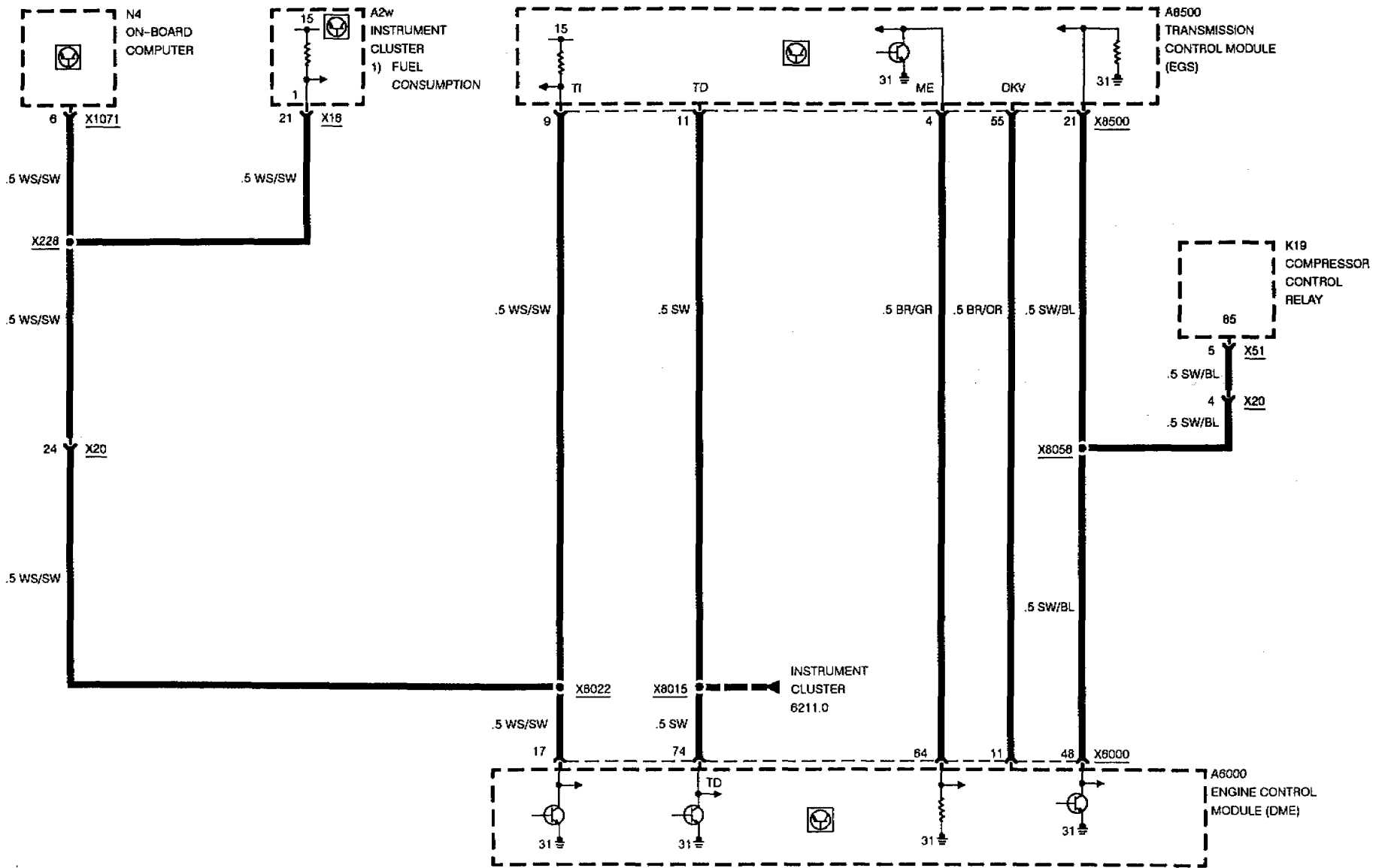


ELECTRONIC TRANSMISSION CONTROL (EGS A4S 310R)

PROGRAM SWITCH

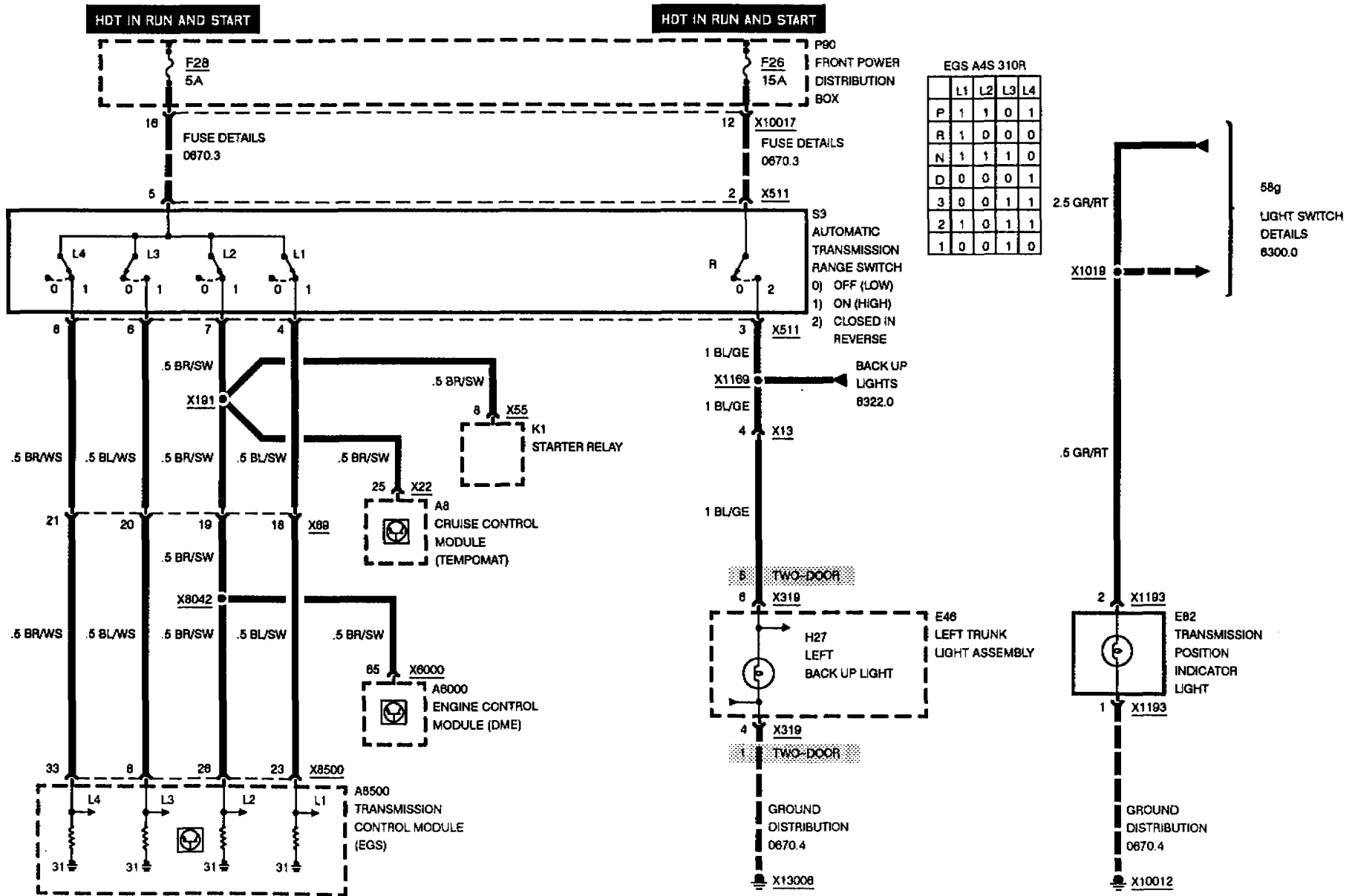


ELECTRONIC TRANSMISSION CONTROL (EGS A4S 310R)



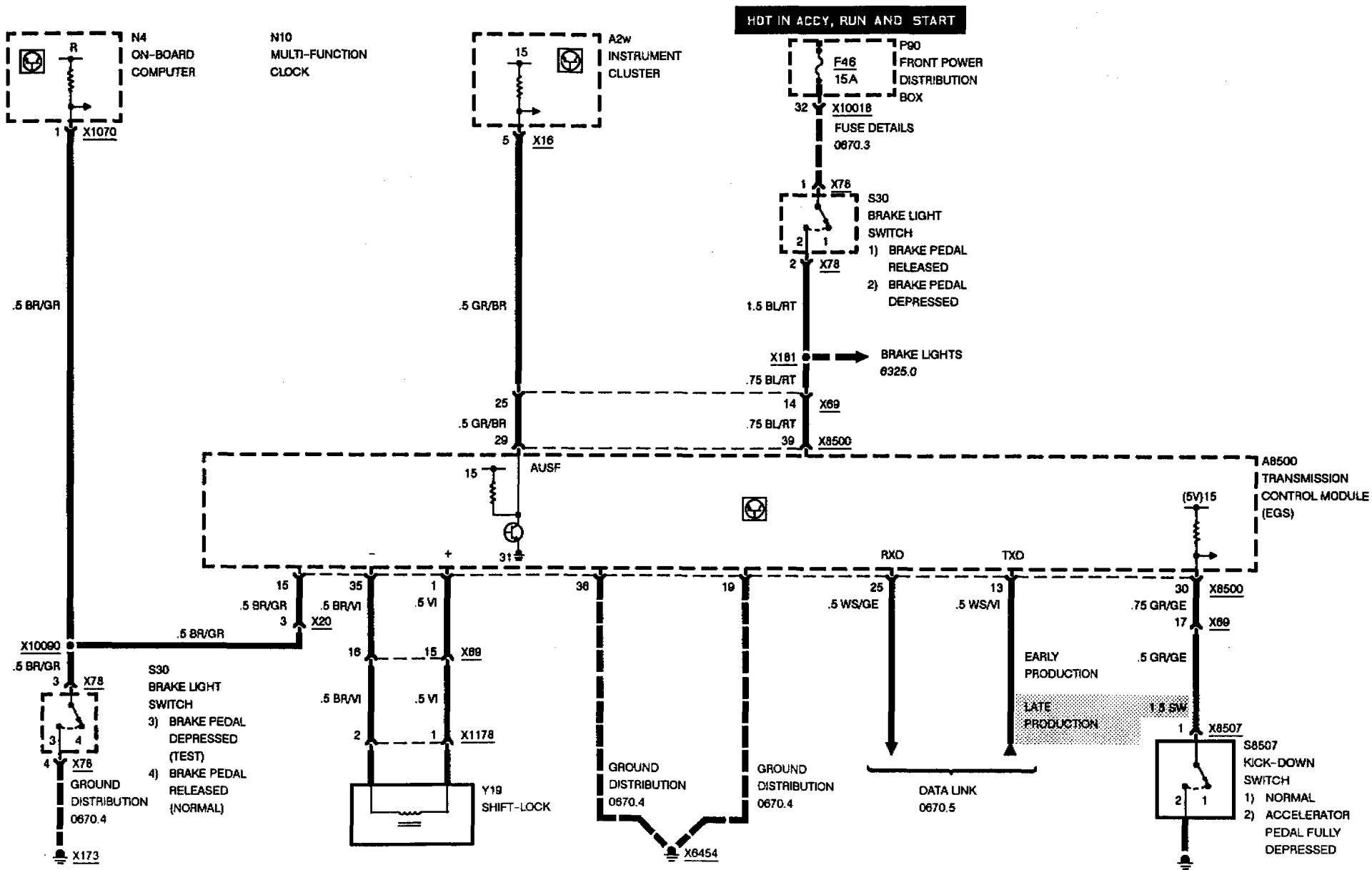
ELECTRONIC TRANSMISSION CONTROL (EGS A4S 310R)

GEAR SELECTOR SWITCH



ELECTRONIC TRANSMISSION CONTROL (EGS A4S 310R)

SHIFT LOCK, DATA LINK, KICK-DOWN SWITCH

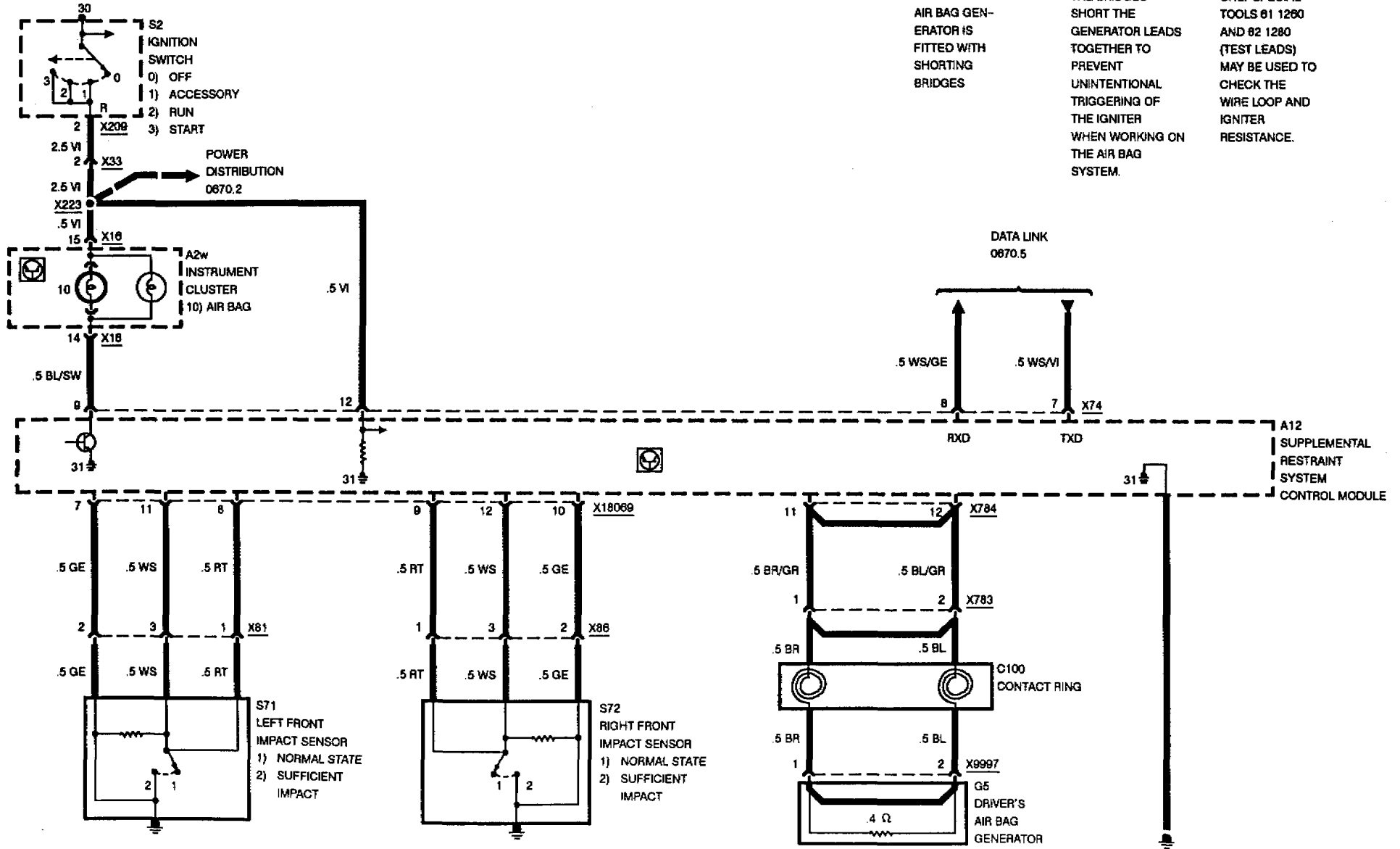


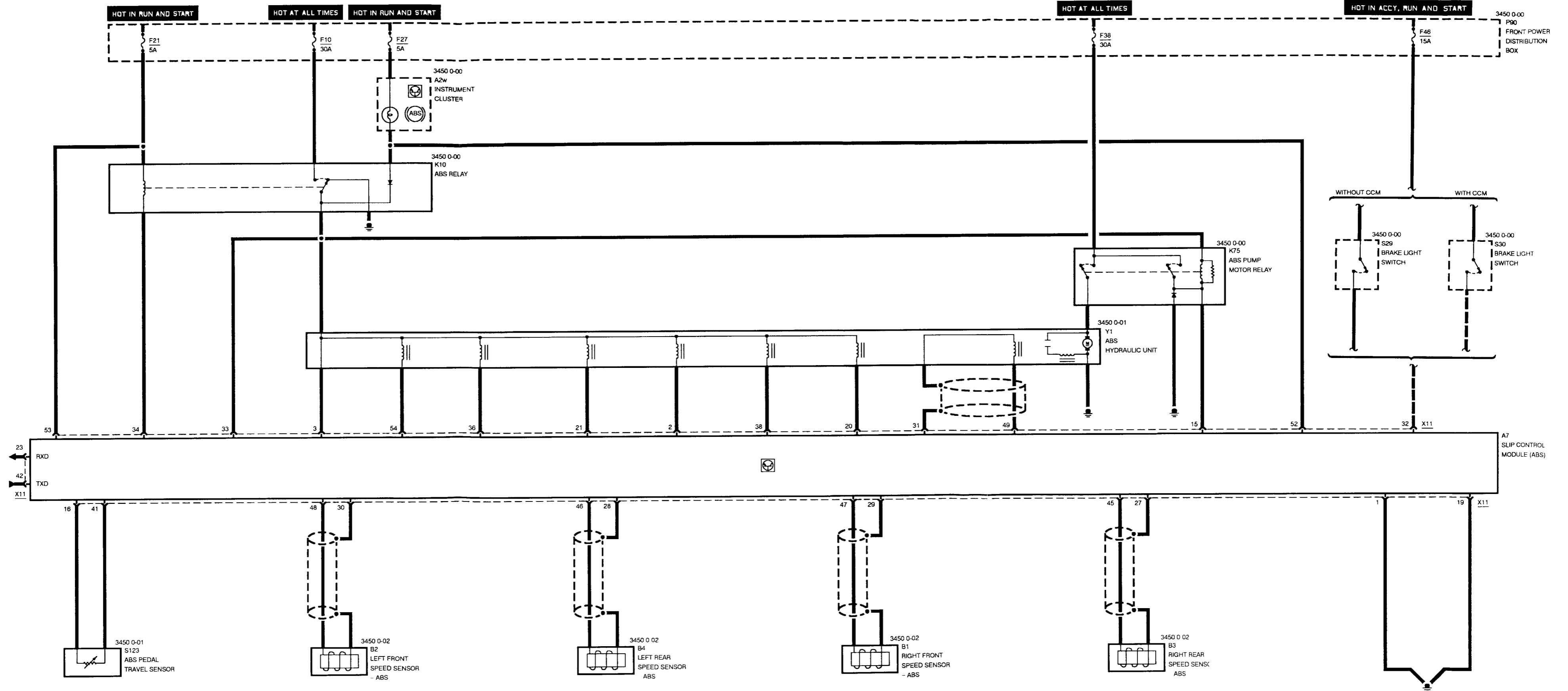
BMW
3

3234.0

SUPPLEMENTAL RESTRAINT SYSTEM (AIR BAG)

HOT AT ALL TIMES

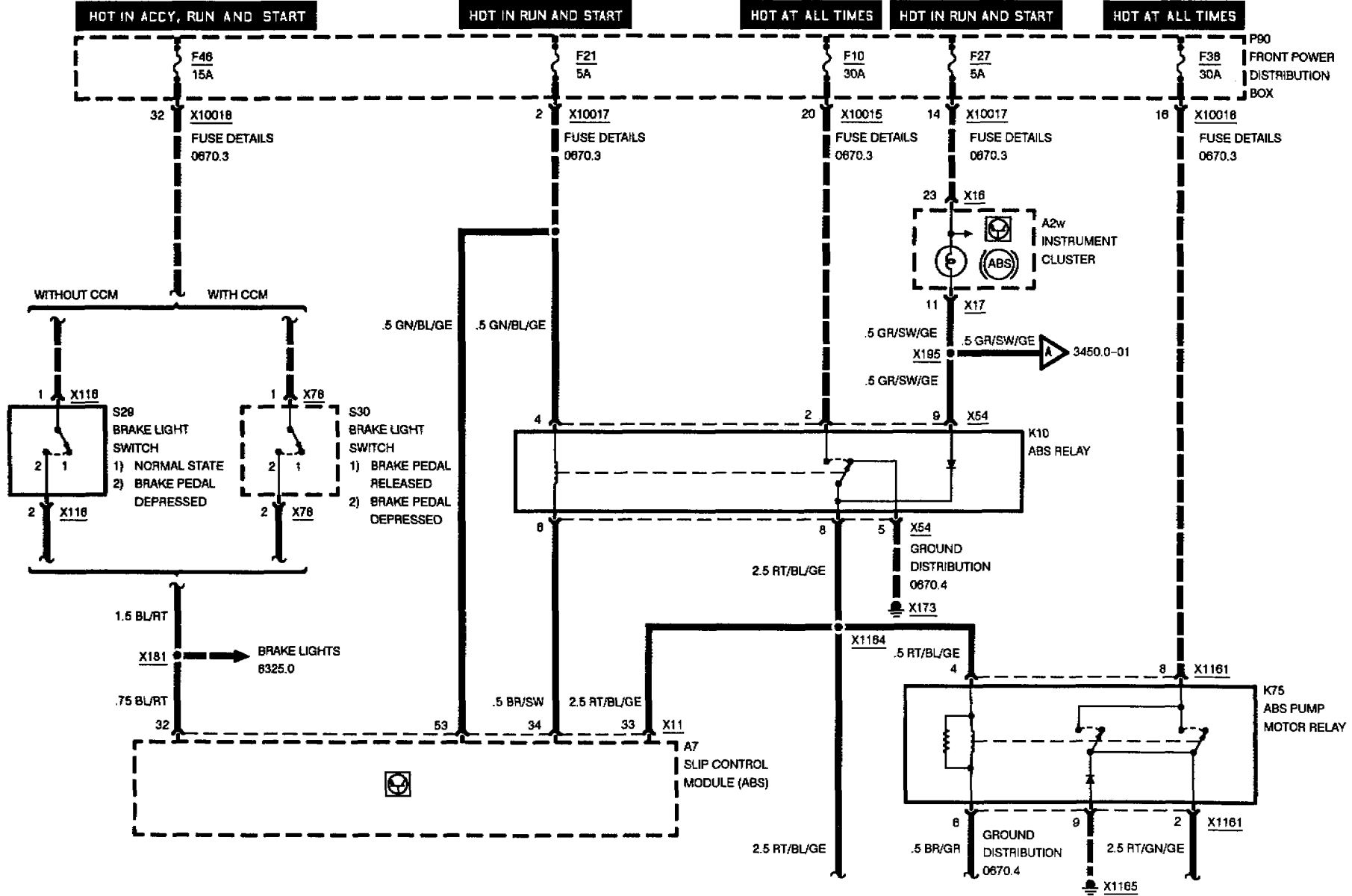


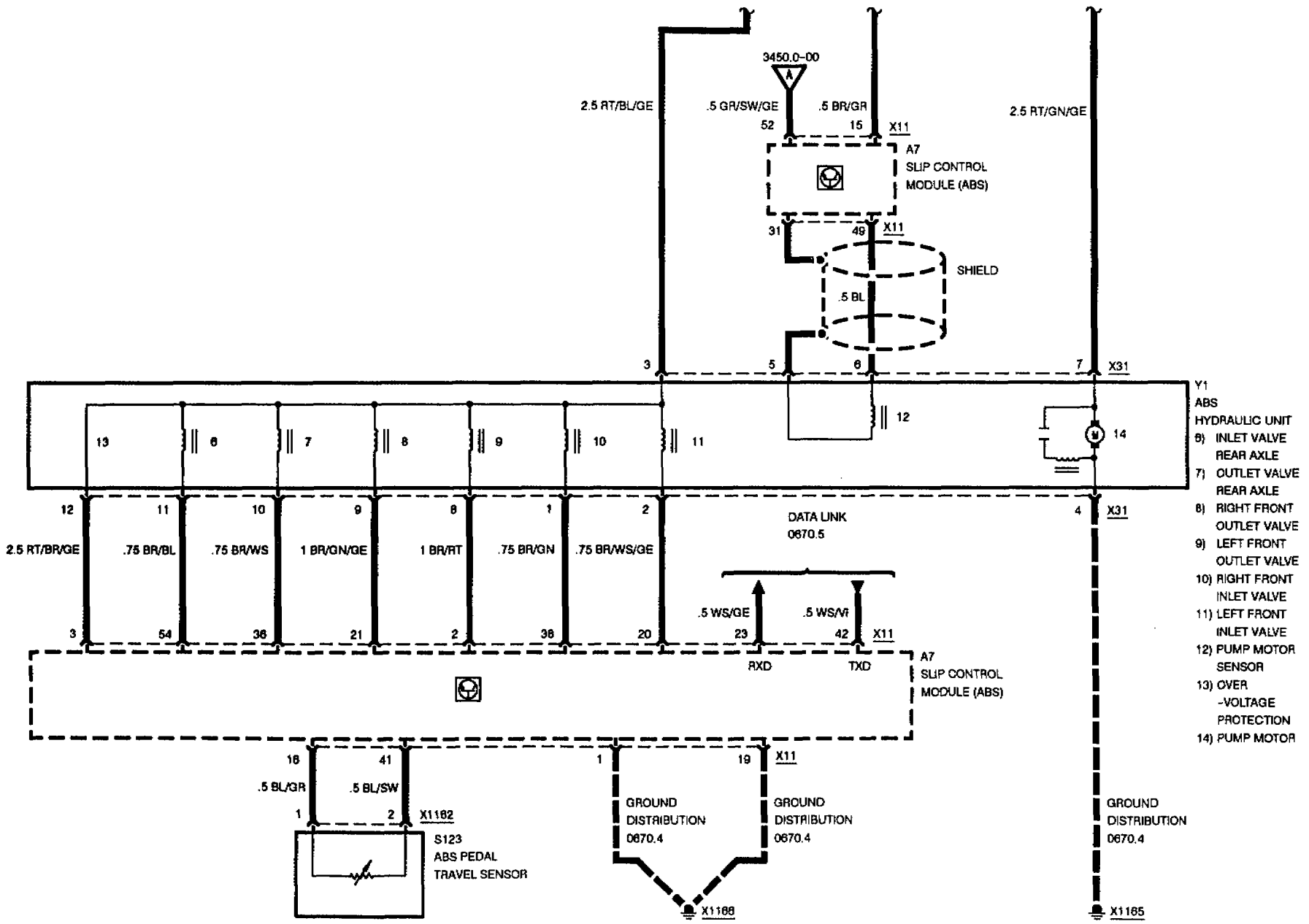


BMW
3

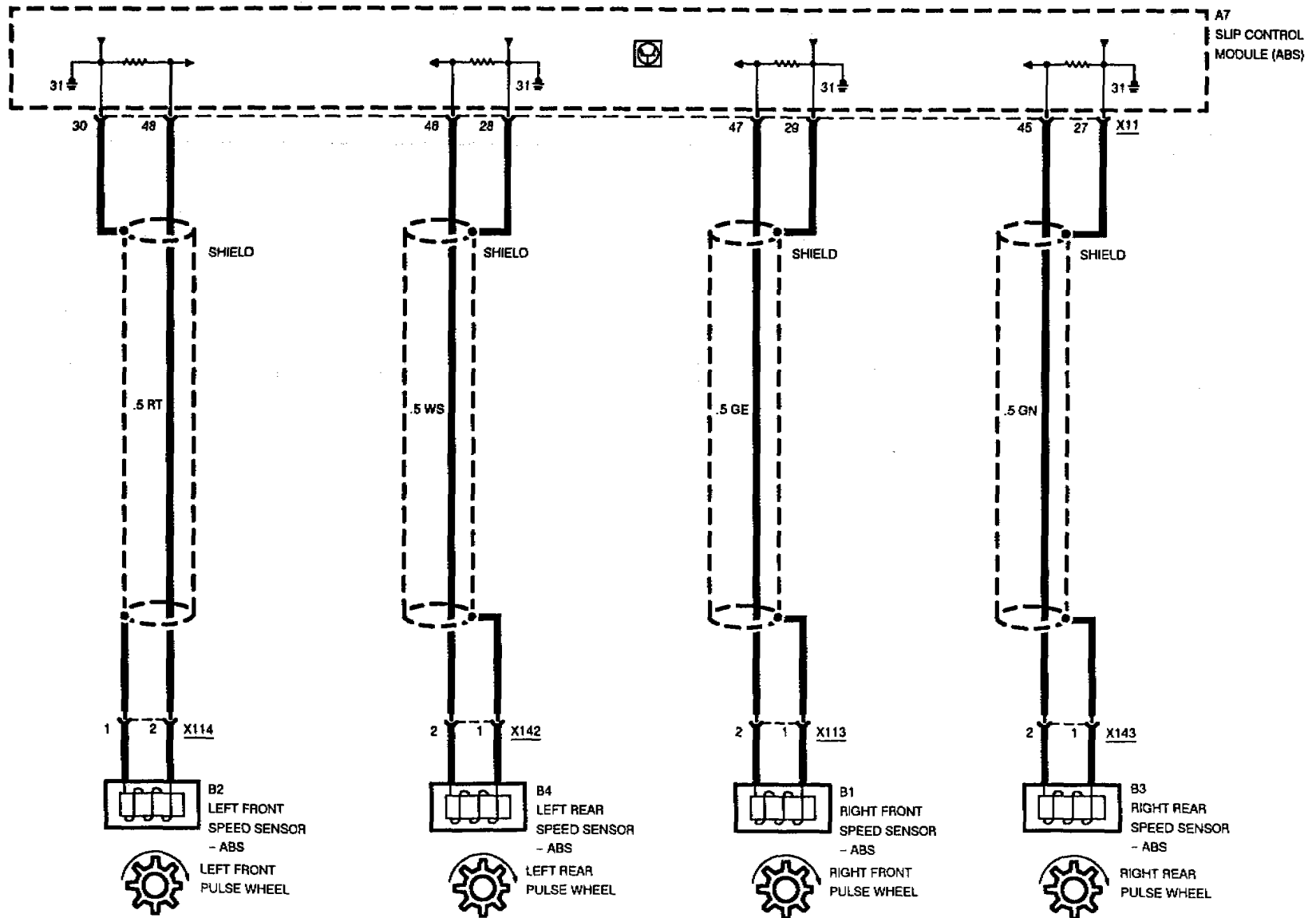
3450.0

SLIP CONTROL (ABS)





SLIP CONTROL (ABS)



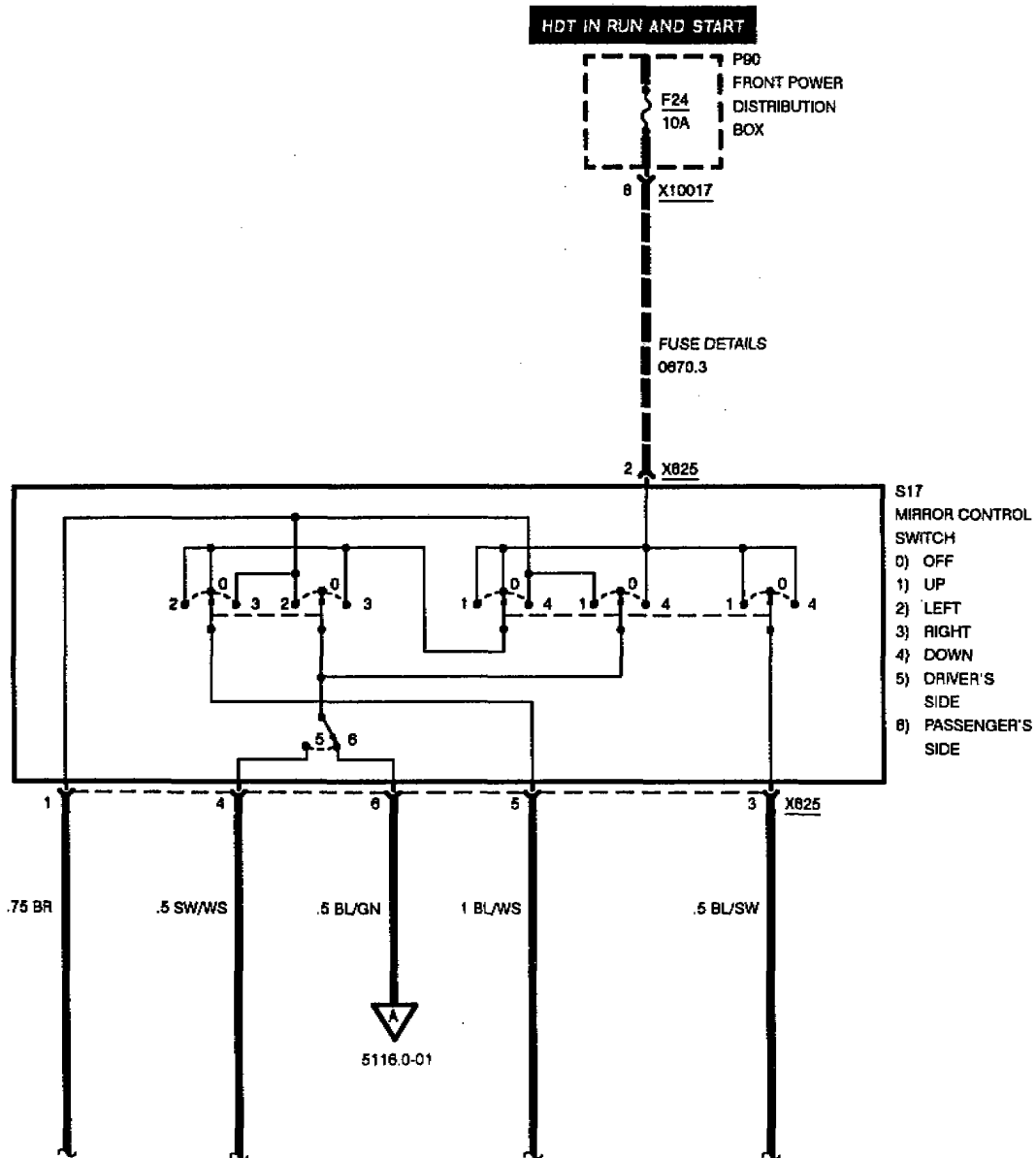
BMW
3

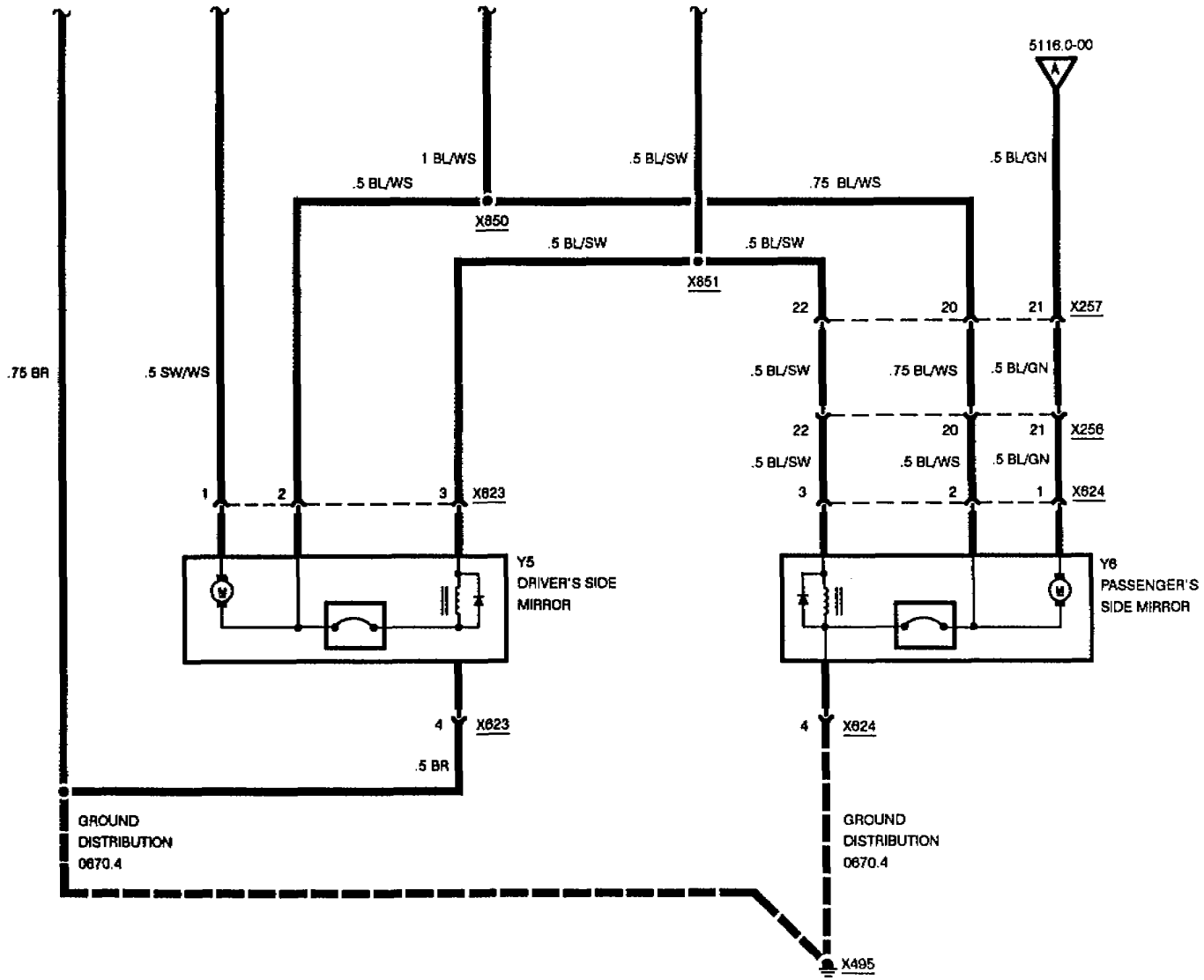
5116.0



POWER MIRRORS

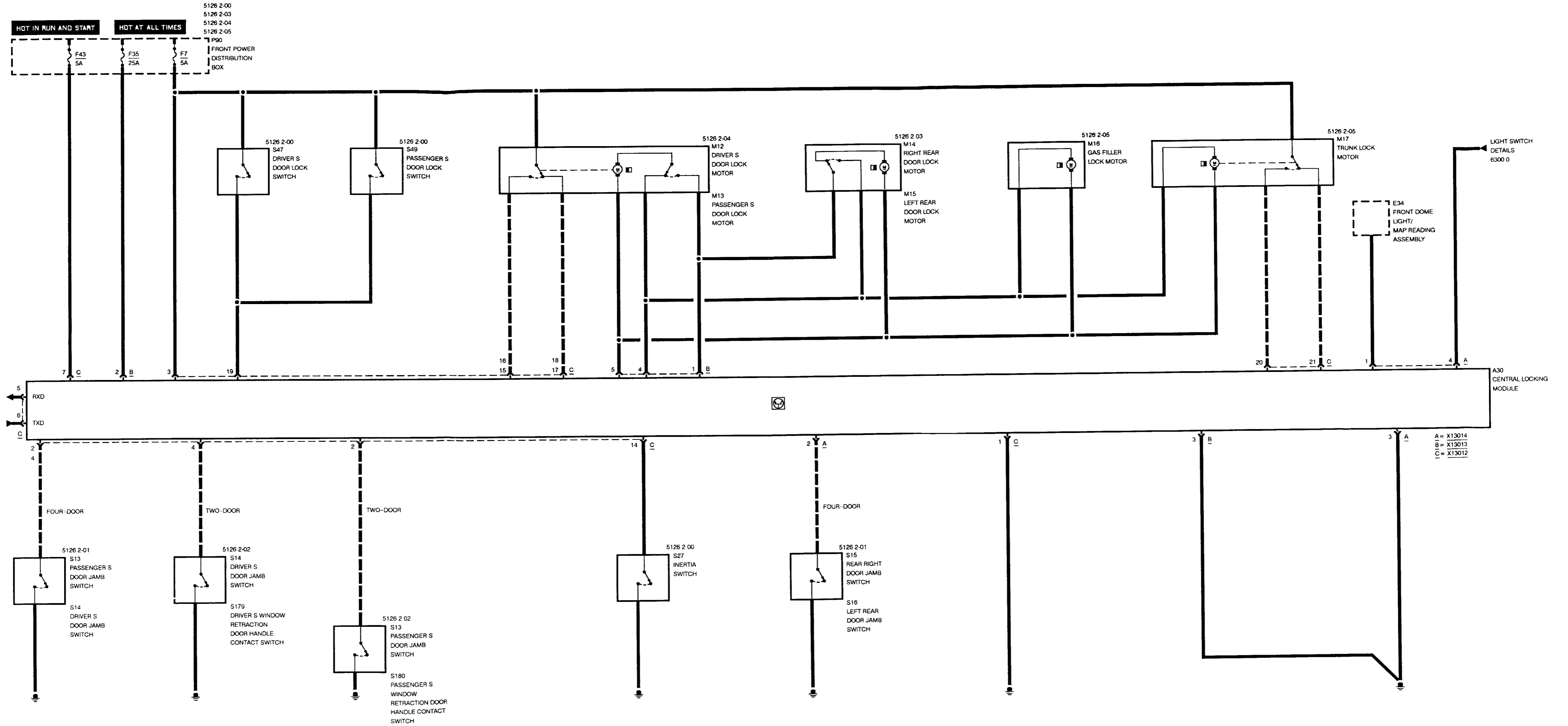
OUTSIDE MIRROR





BMW
3

5116.0-02

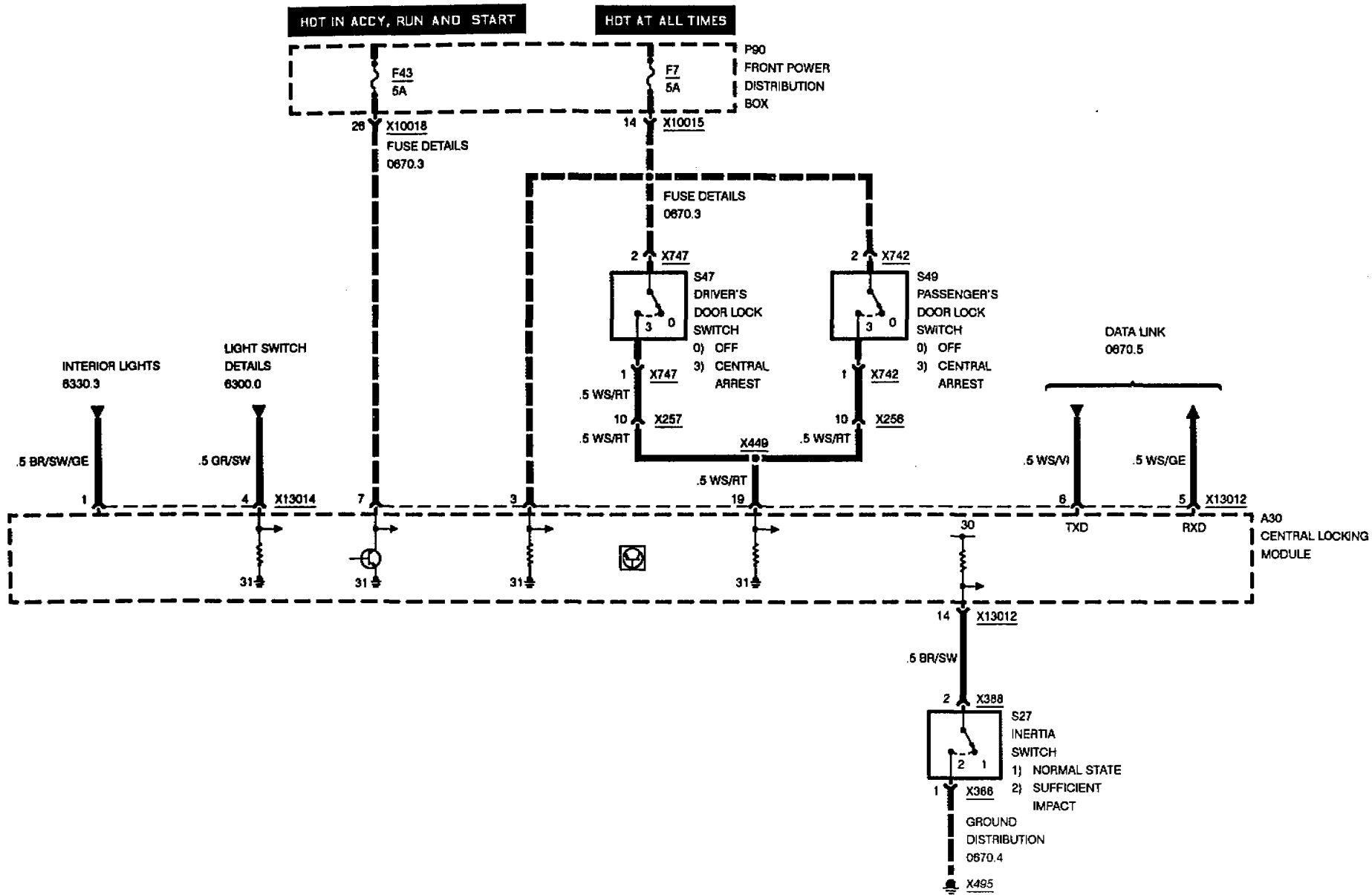


BMW
3





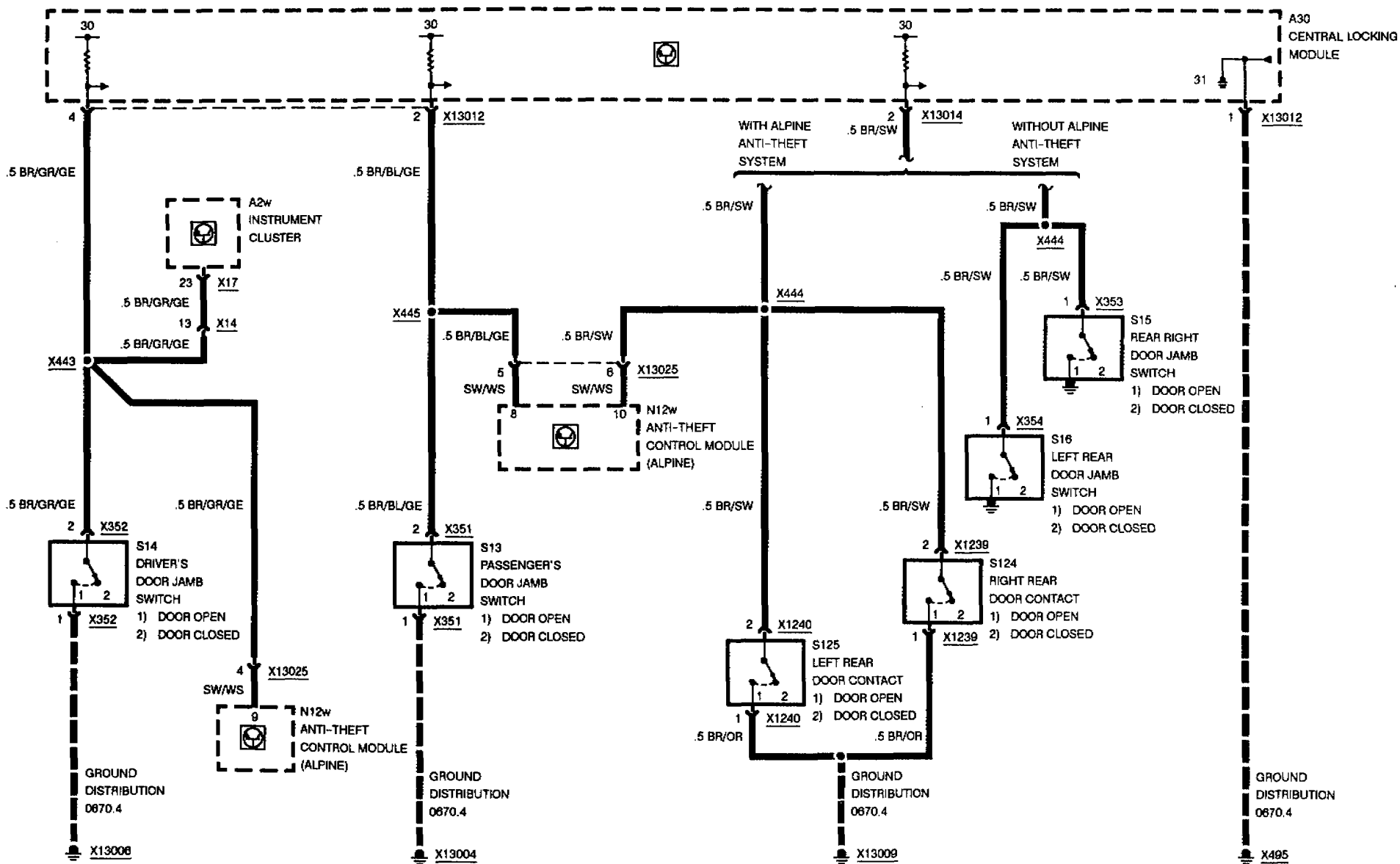
CENTRAL LOCKING MODULE II (ZVM II)





CENTRAL LOCKING MODULE II (ZVM II)

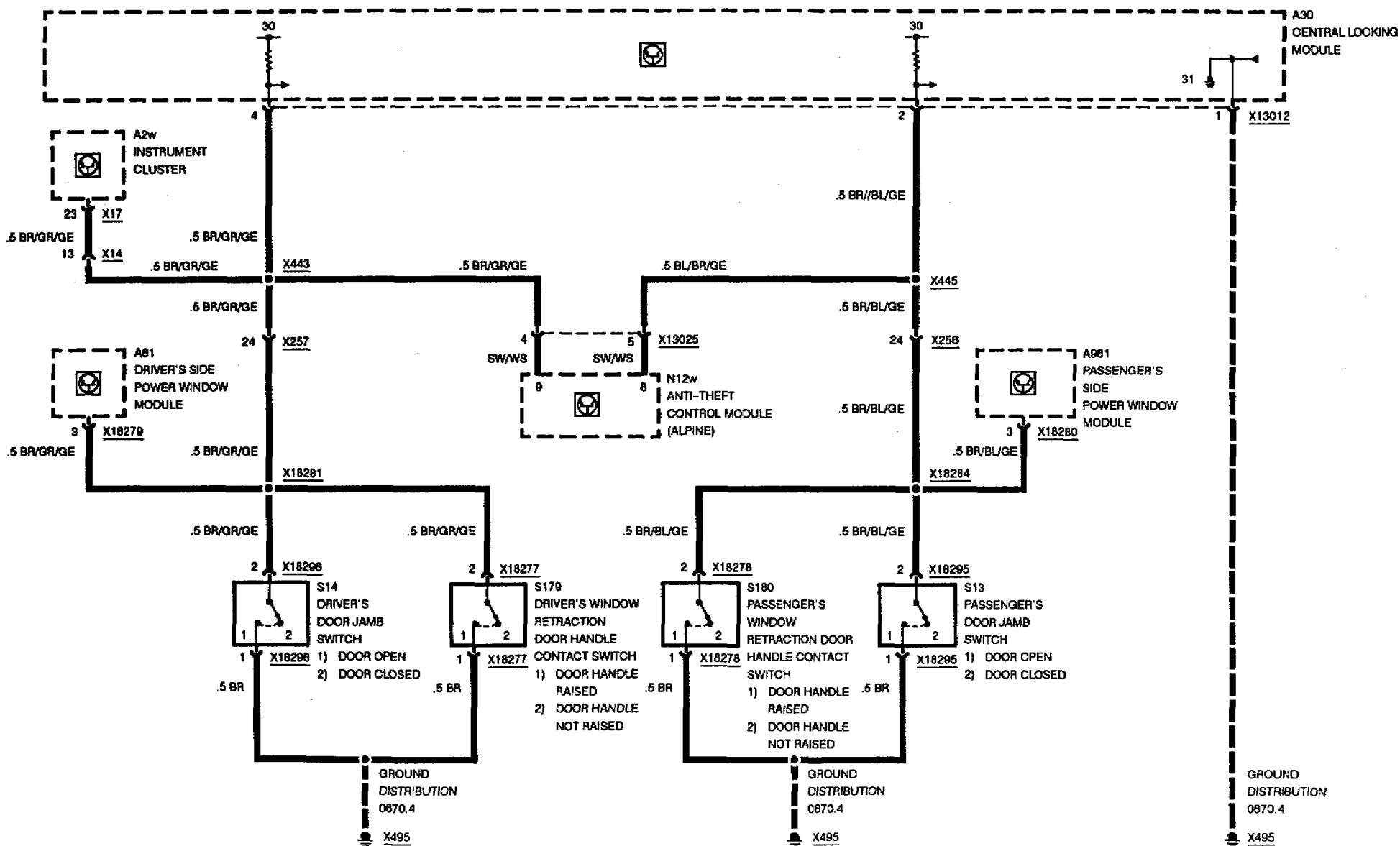
INPUTS - FOUR-DOOR





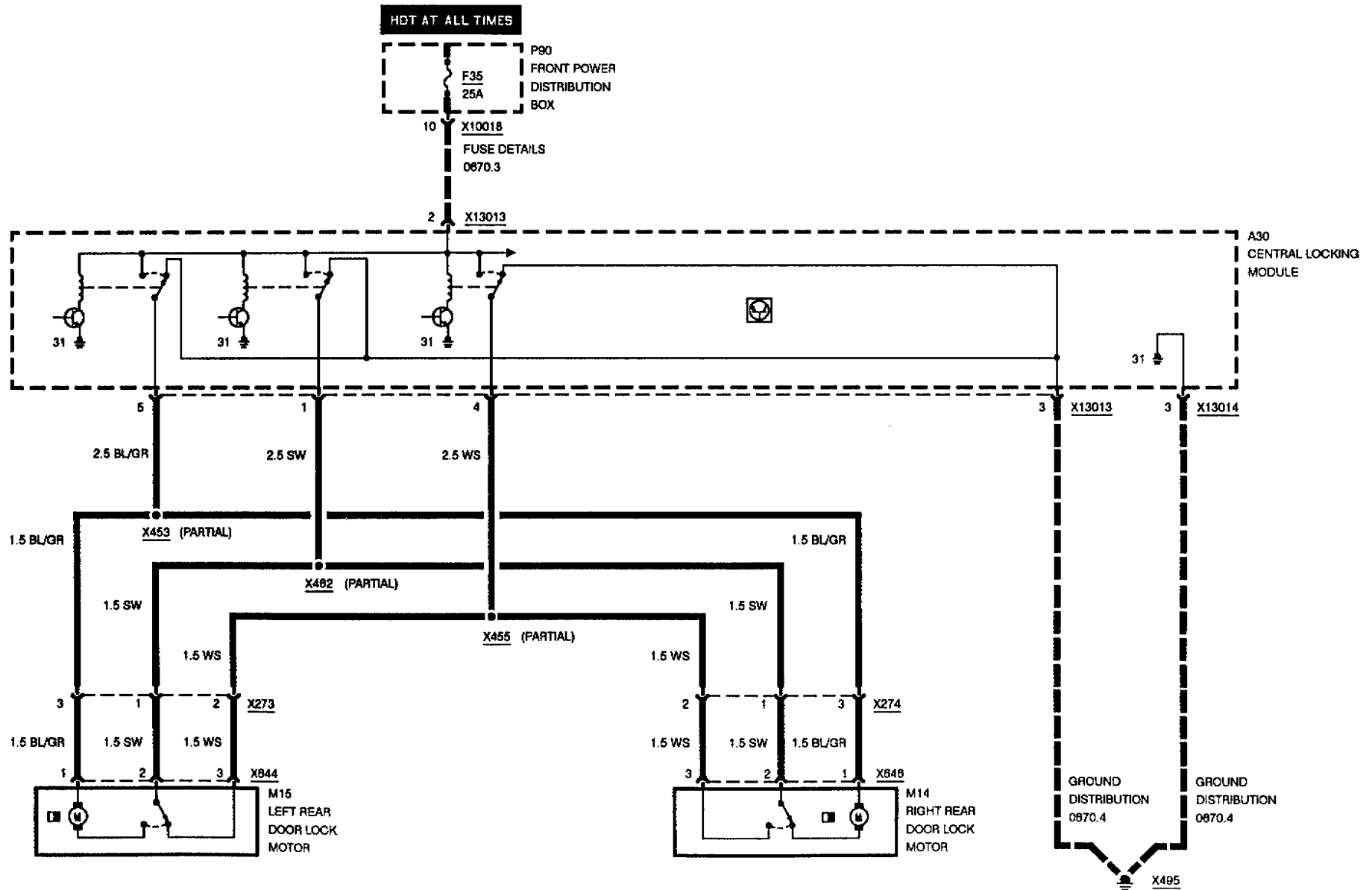
CENTRAL LOCKING MODULE II (ZVM II)

INPUTS - TWO-DOOR



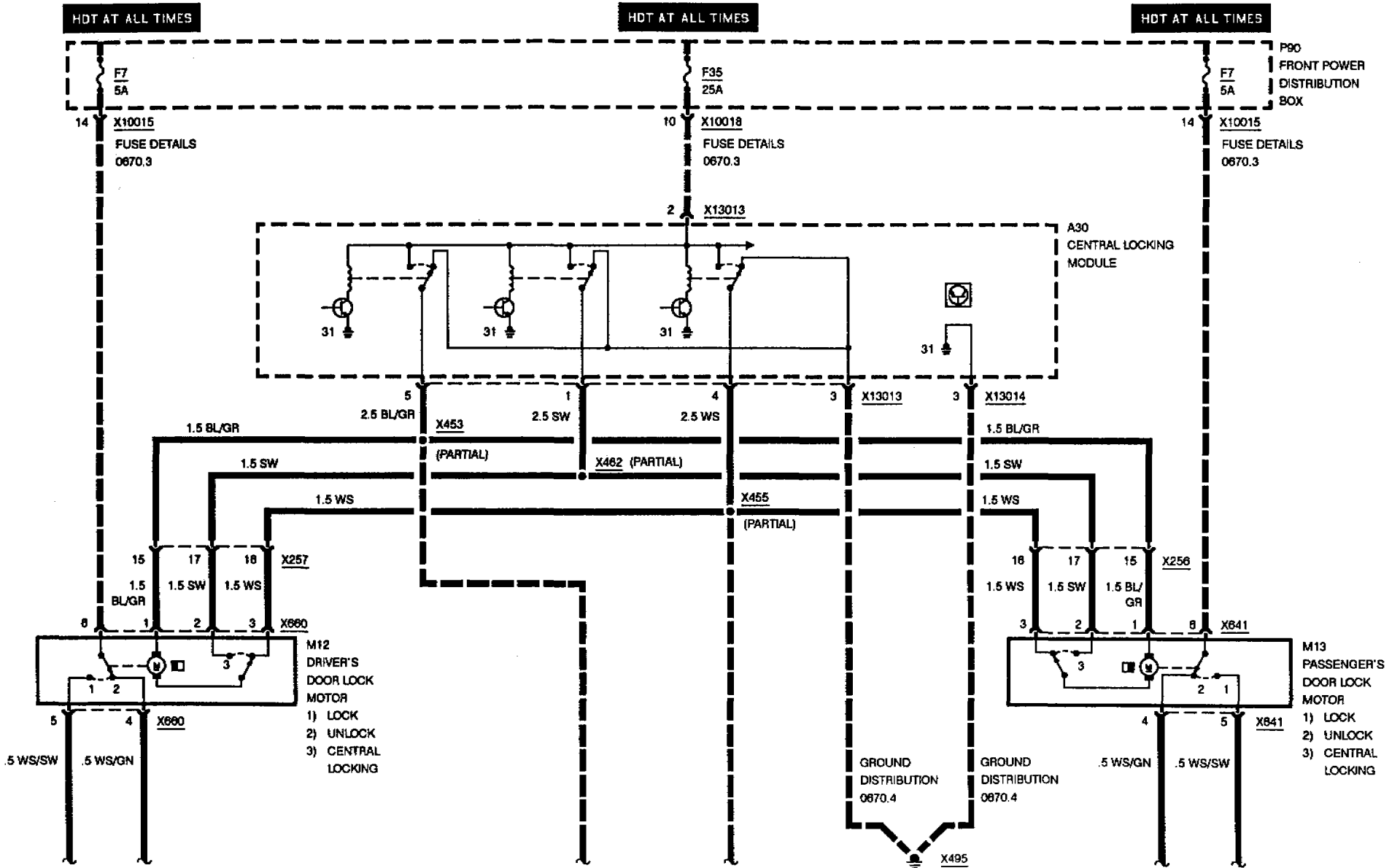


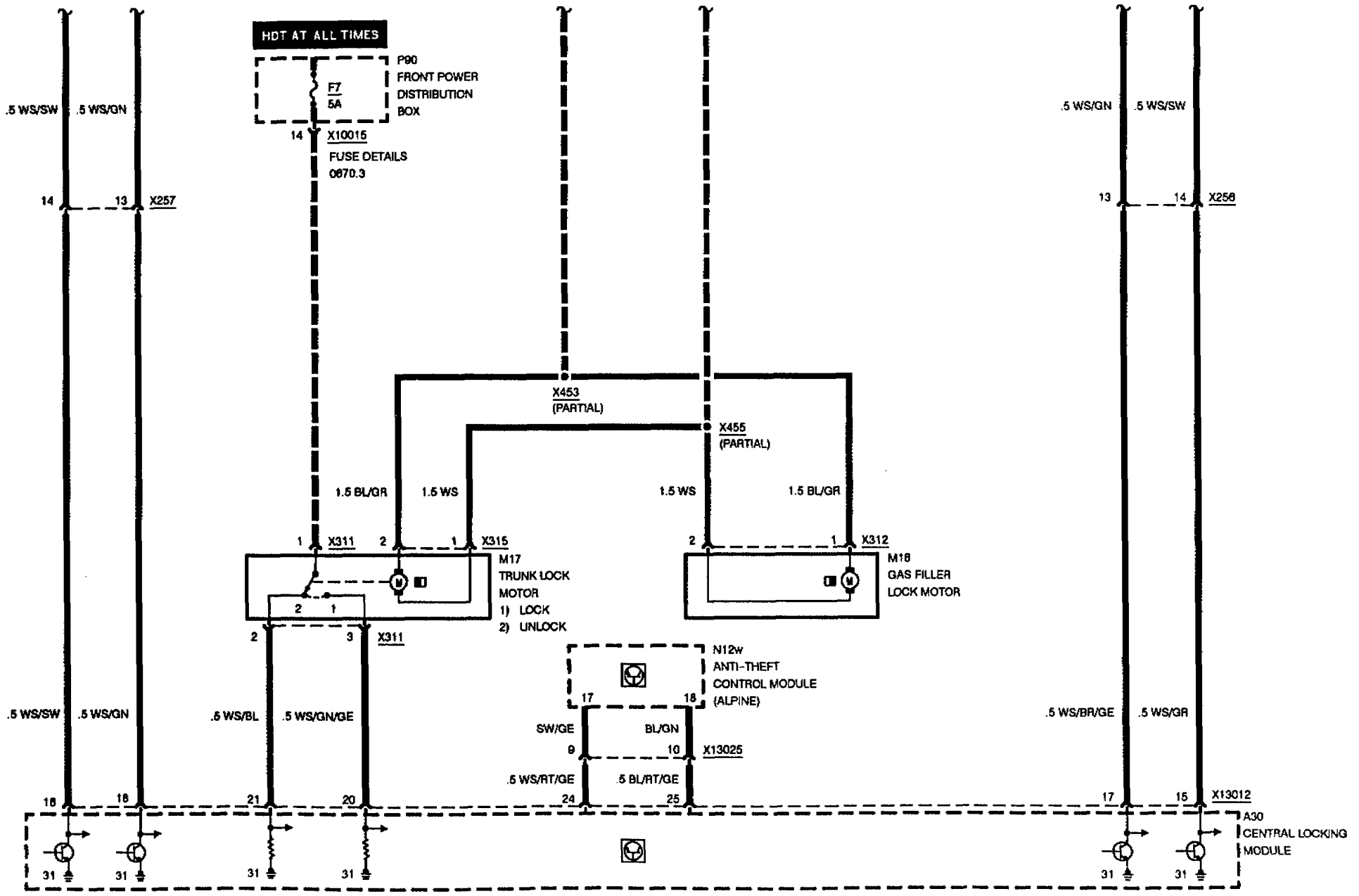
CENTRAL LOCKING MODULE II (ZVM II) OUTPUT DETAILS





CENTRAL LOCKING MODULE II (ZVM II) OUTPUT DETAILS

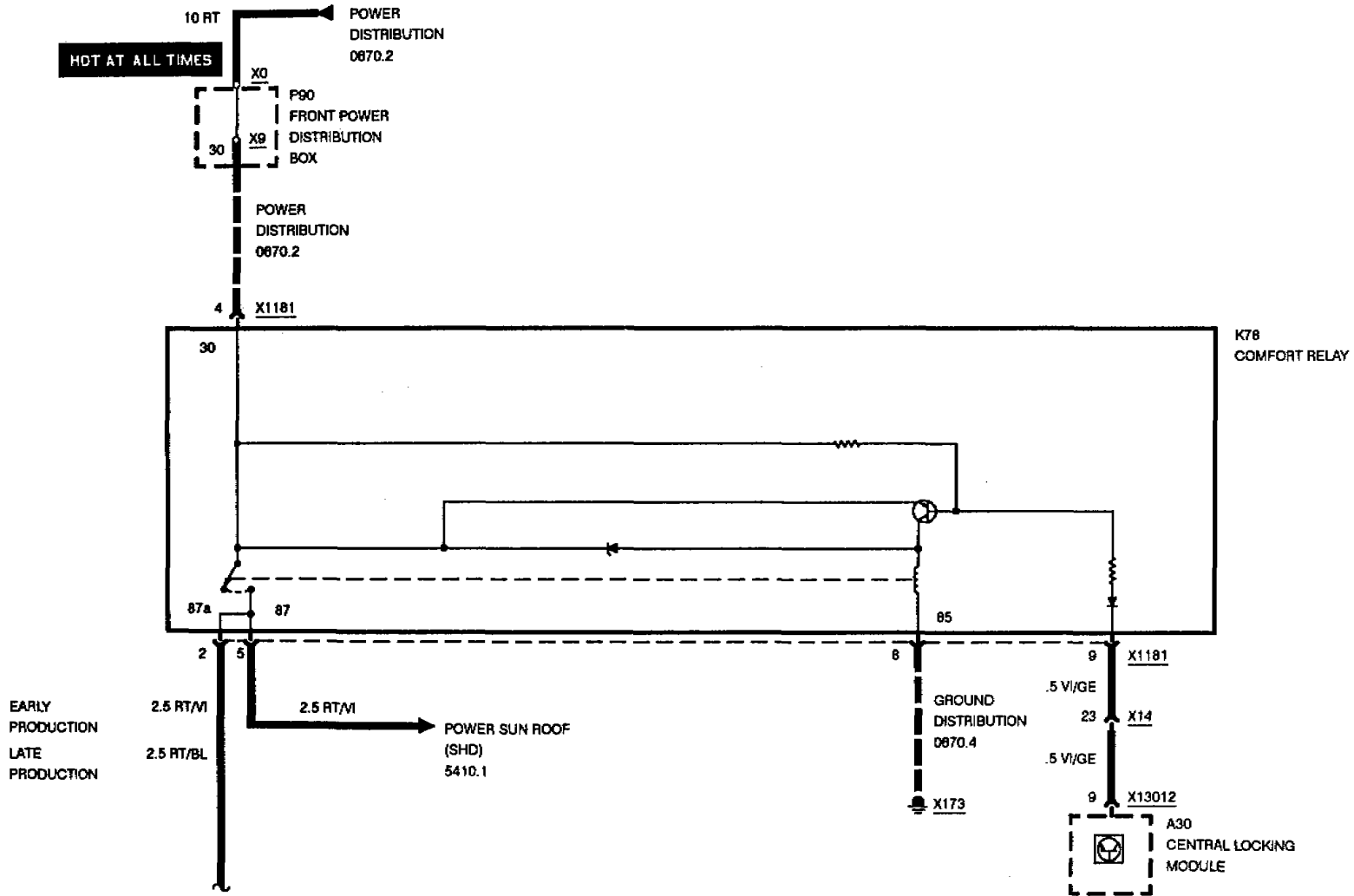




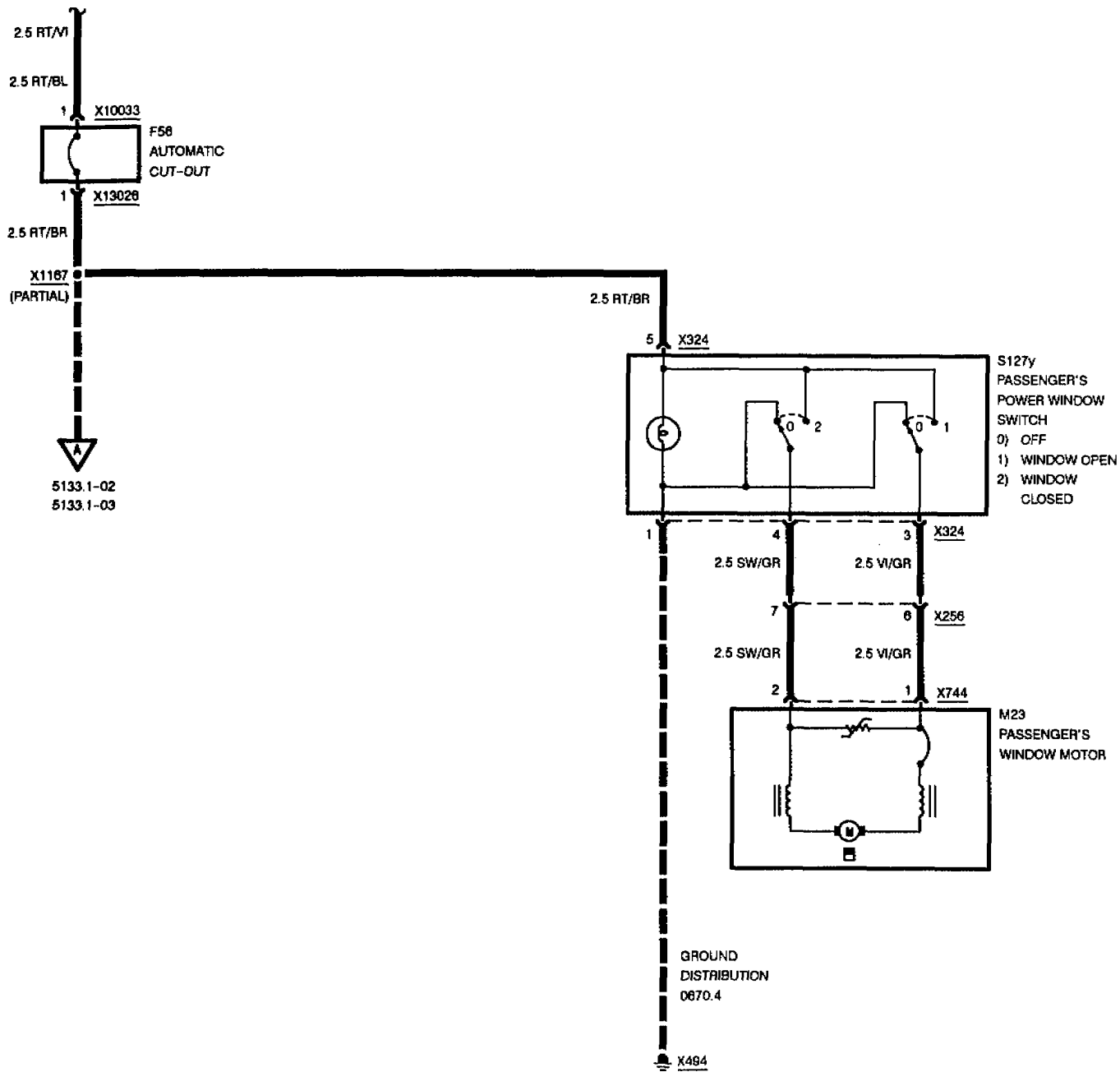


POWER WINDOWS (FH)

FOUR-DOOR



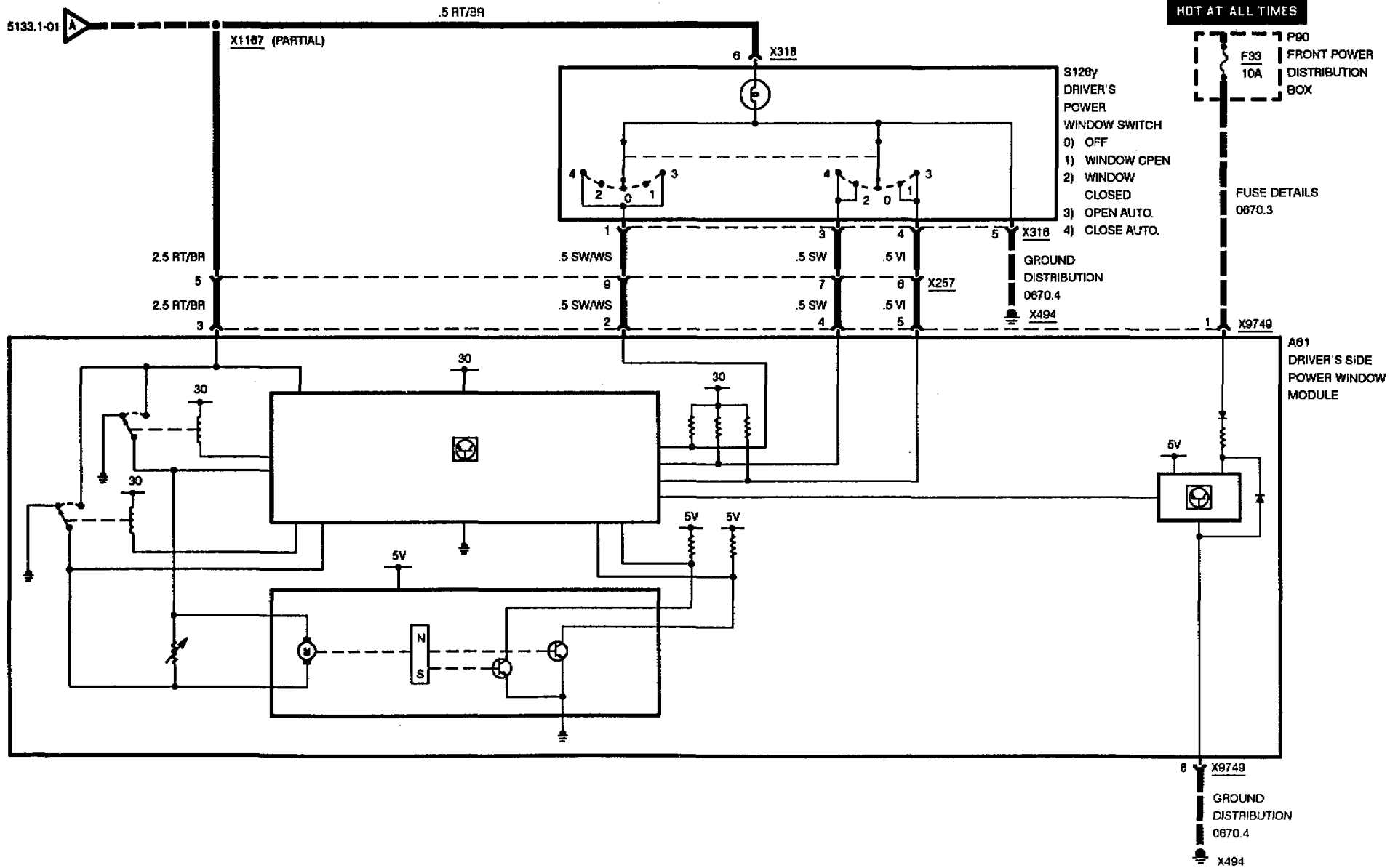
EARLY
PRODUCTION
LATE
PRODUCTION





POWER WINDOWS (FH)

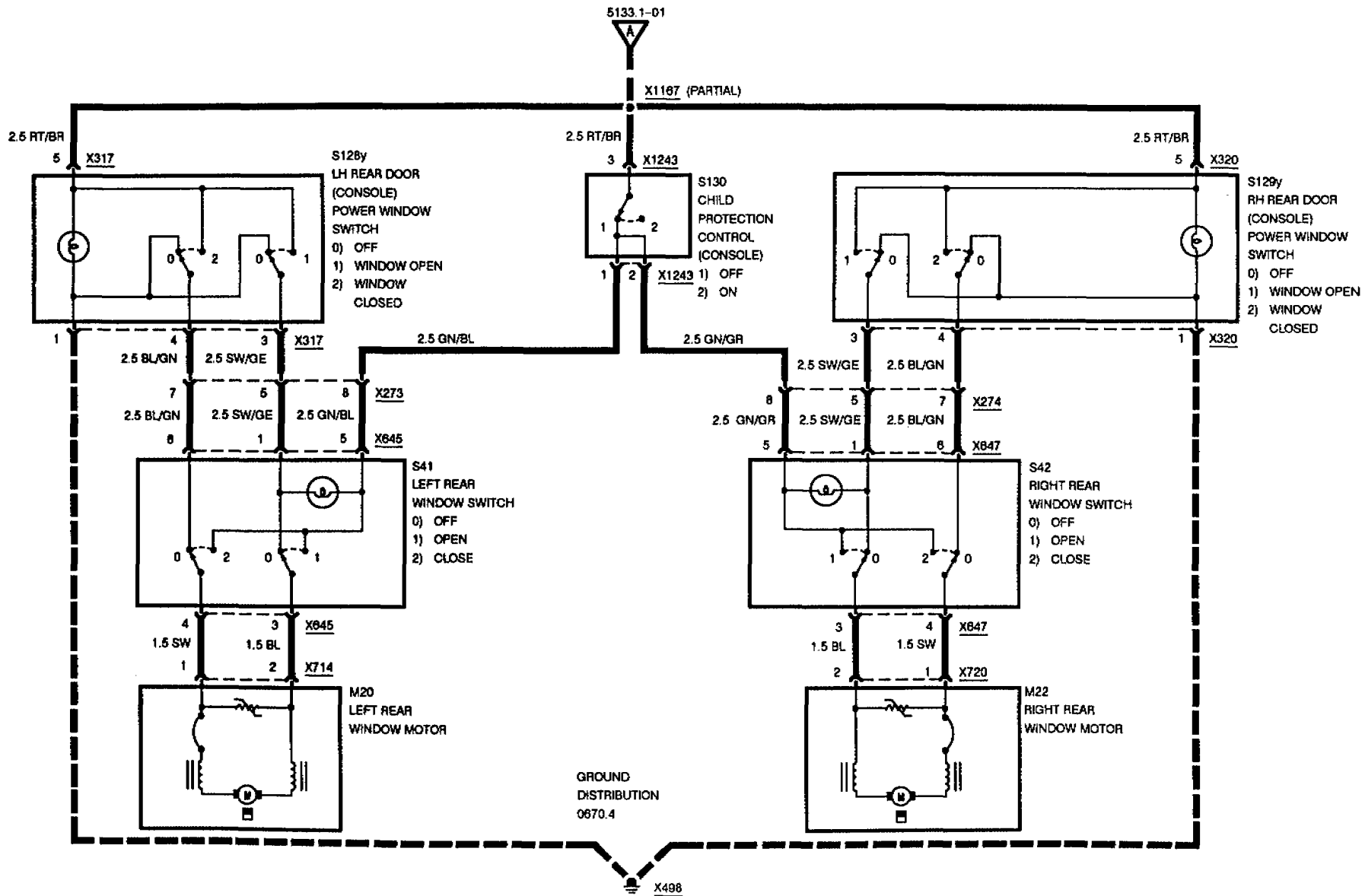
DRIVER'S WINDOW - FOUR-DOOR





POWER WINDOWS (FH)

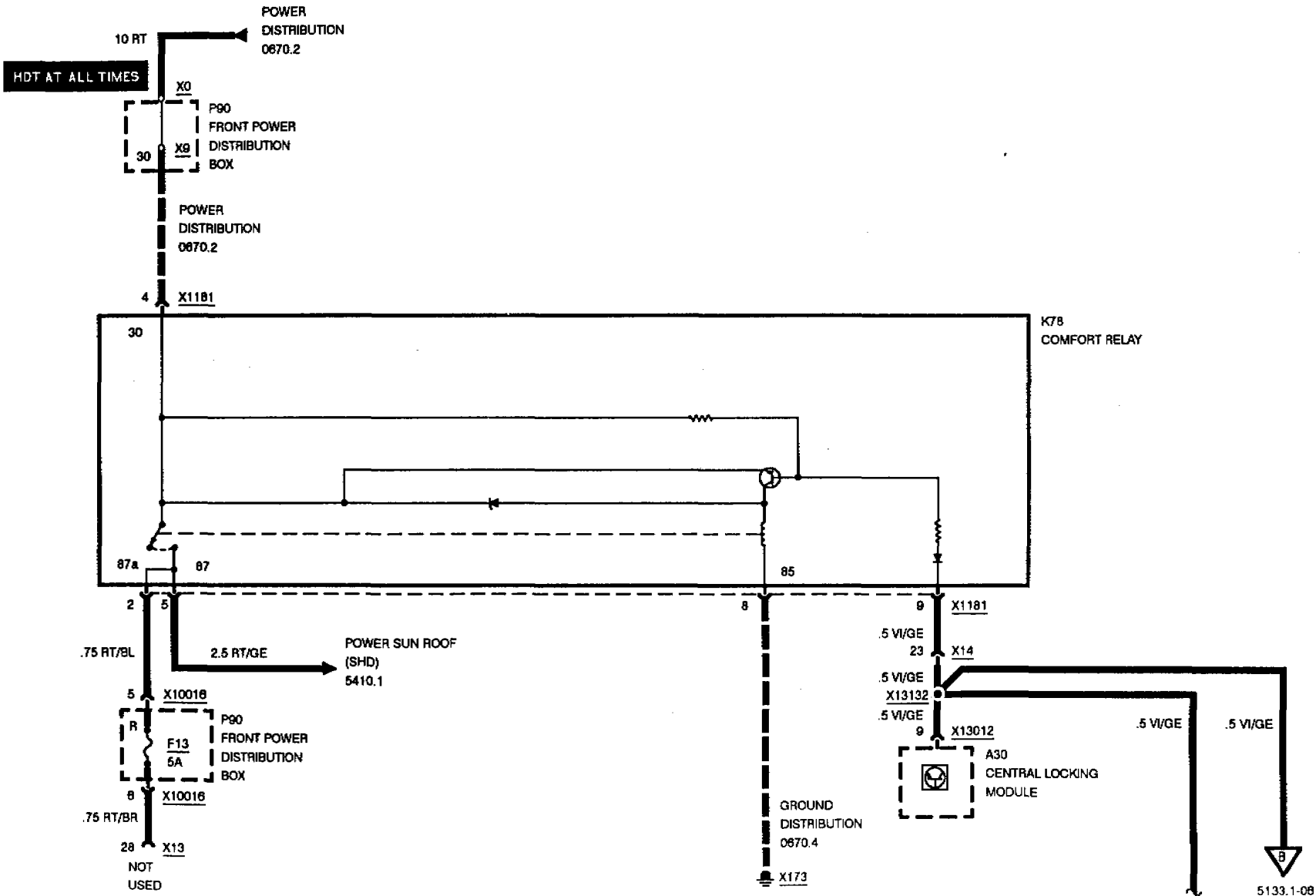
REAR WINDOWS - FOUR-DOOR

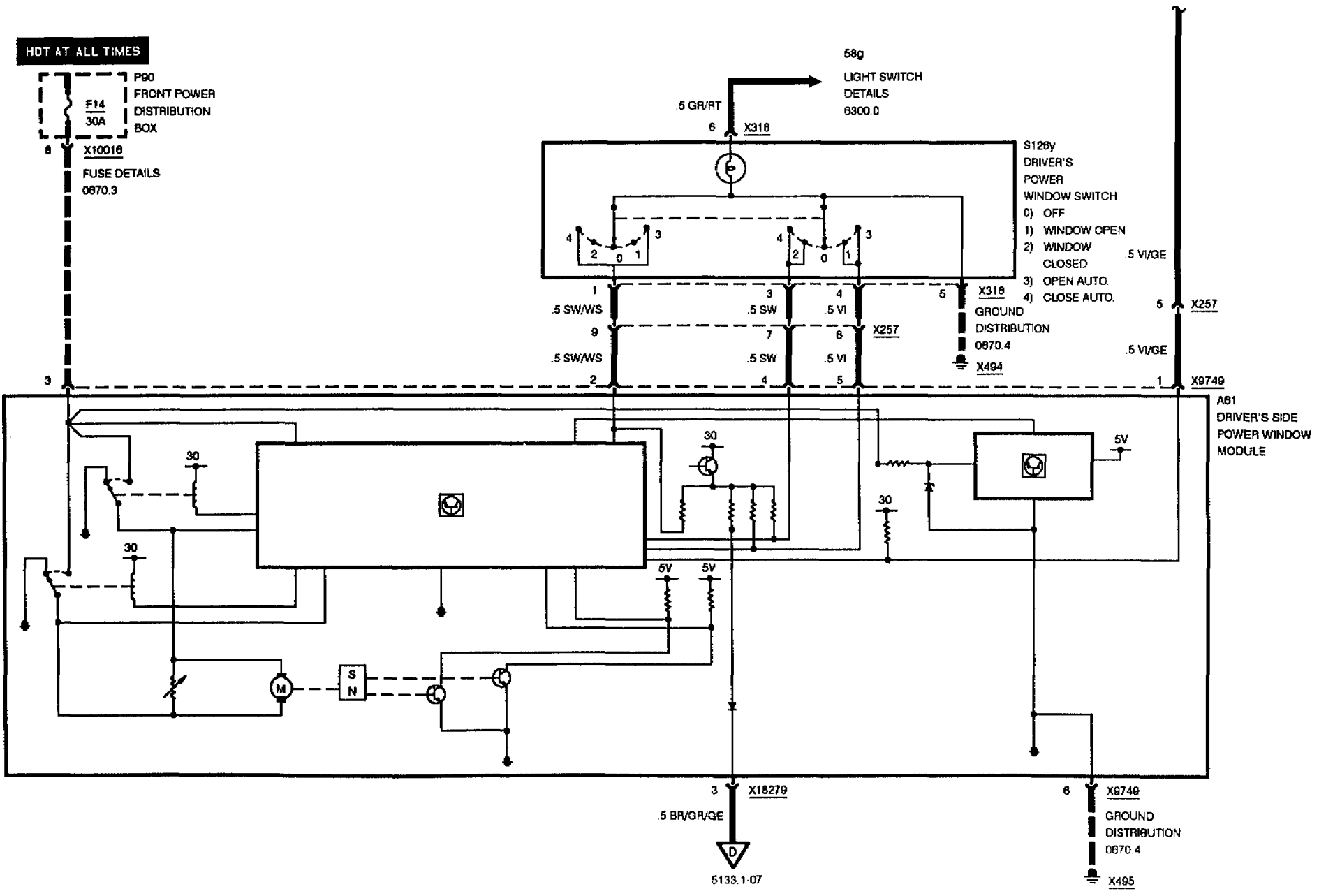




POWER WINDOWS (FH)

TWO-DOOR



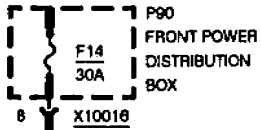




POWER WINDOWS (FH)

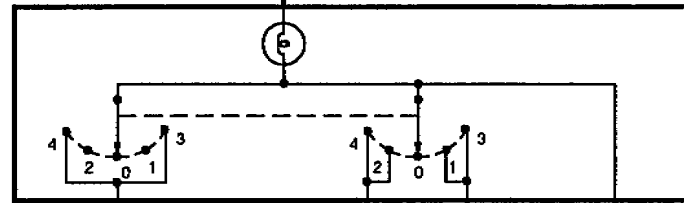
PASSENGER'S SIDE - TWO-DOOR

HOT AT ALL TIMES



FUSE DETAILS
0670.3

58g
LIGHT SWITCH
DETAILS
6300.0



X324
GROUND
DISTRIBUTION
0670.4

5133.1-04

.5 V/GE

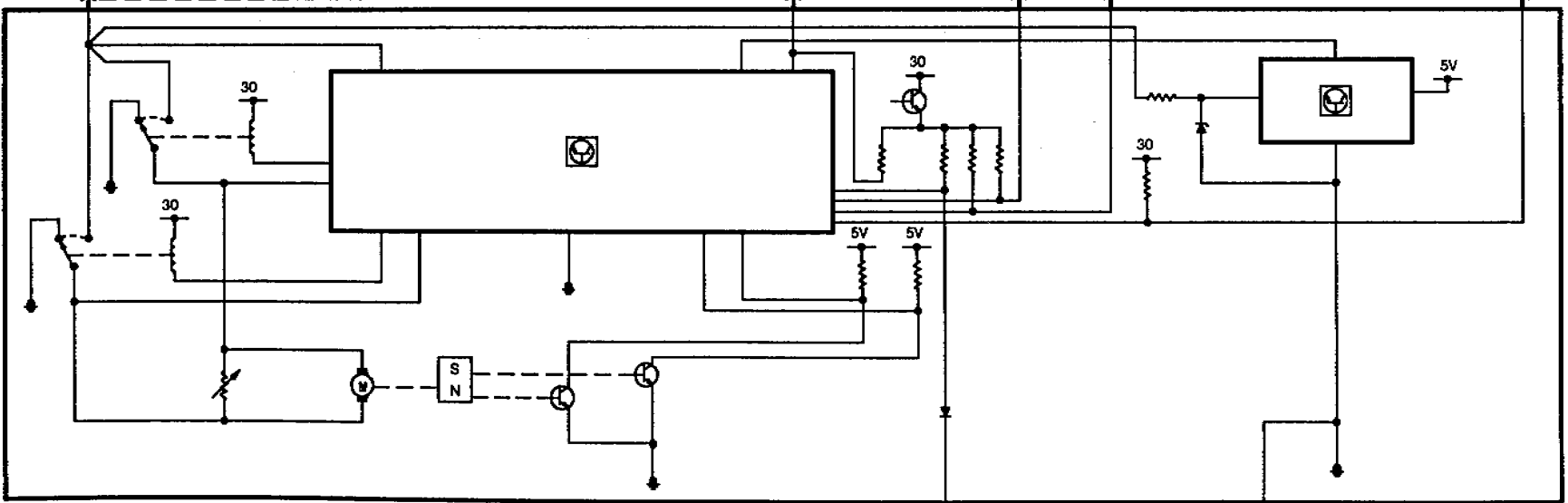
.5 V/GE

.5 V/GE

X256

X9744

A961
PASSENGER'S
SIDE
POWER WINDOW
MODULE



X18280

.5 BR/BL/GE

5133.1-07

X9744

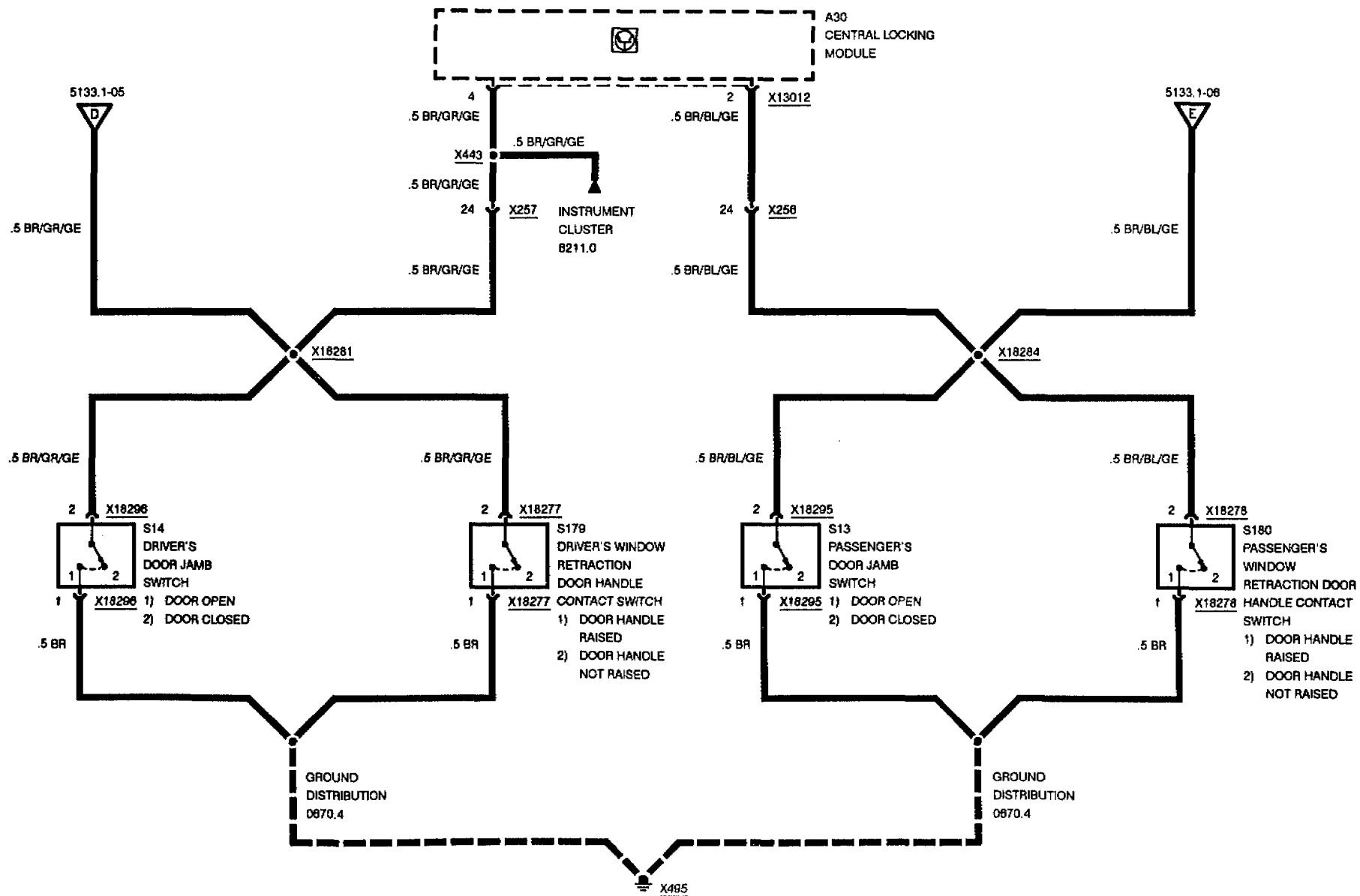
GROUND
DISTRIBUTION
0670.4

X495



POWER WINDOWS (FH)

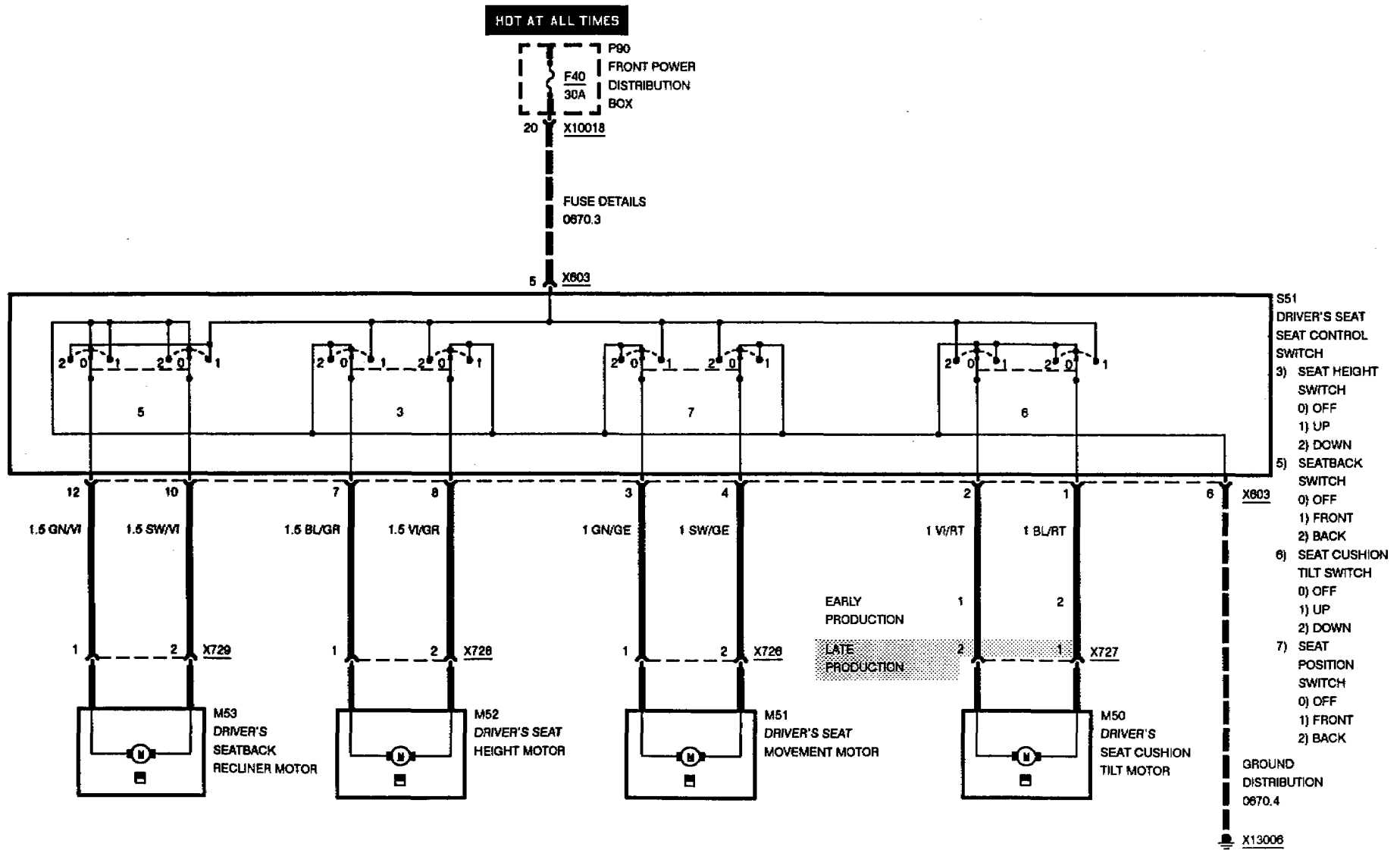
TWO-DOOR





POWER SEATS AND LUMBAR SUPPORT

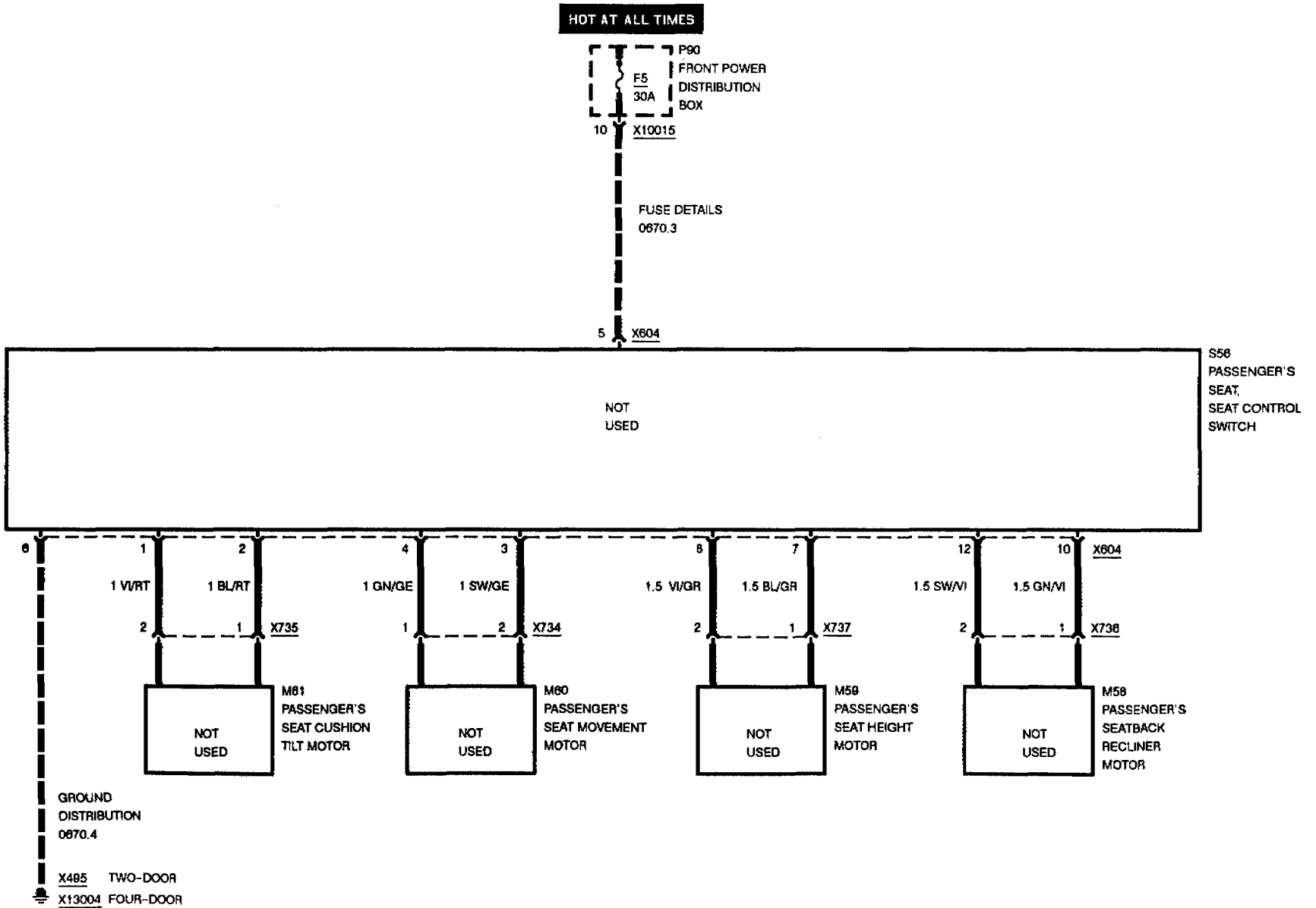
DRIVER'S SEAT





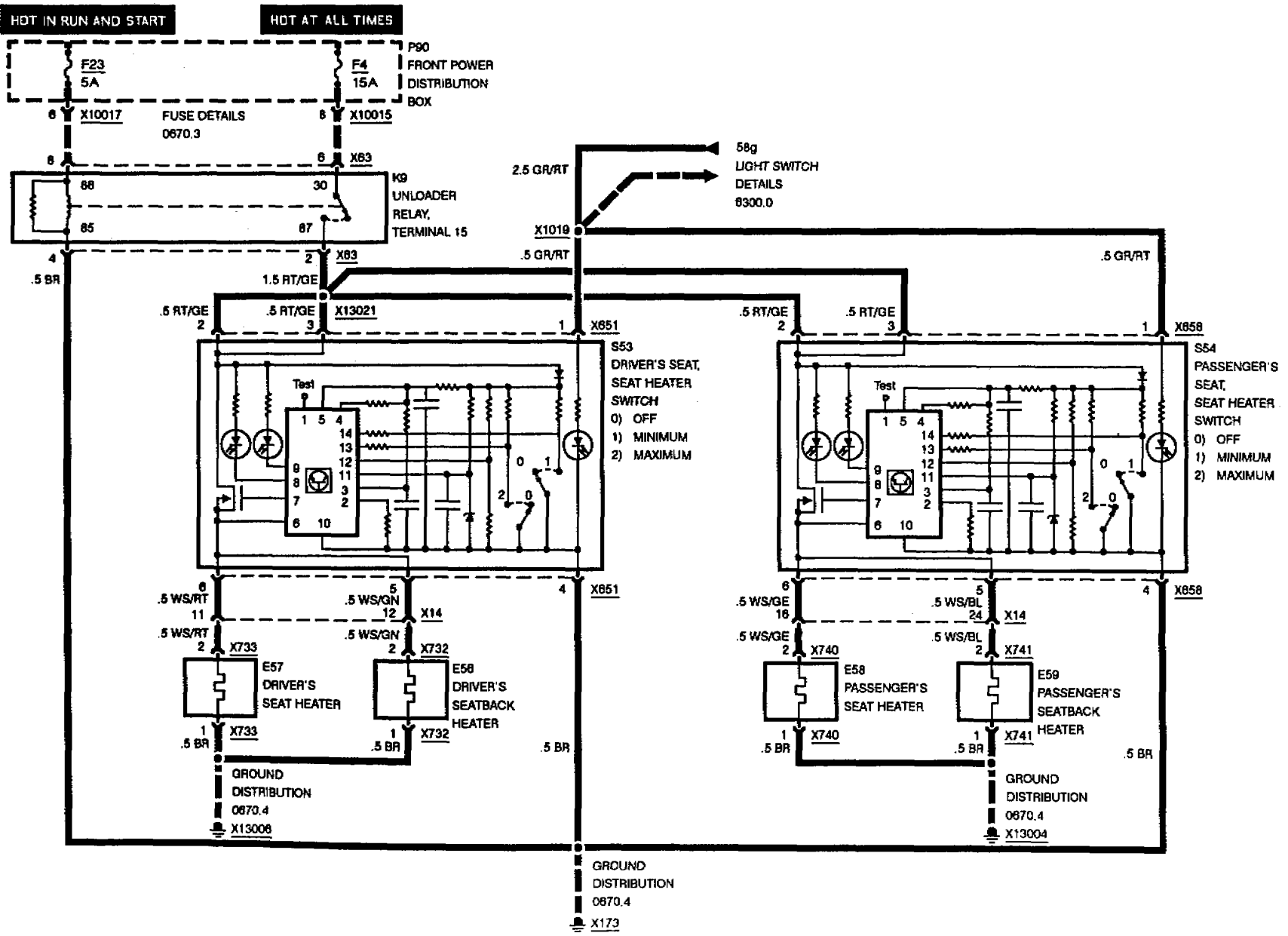
POWER SEATS AND LUMBAR SUPPORT

PASSENGER'S SEAT





HEATED SEATS

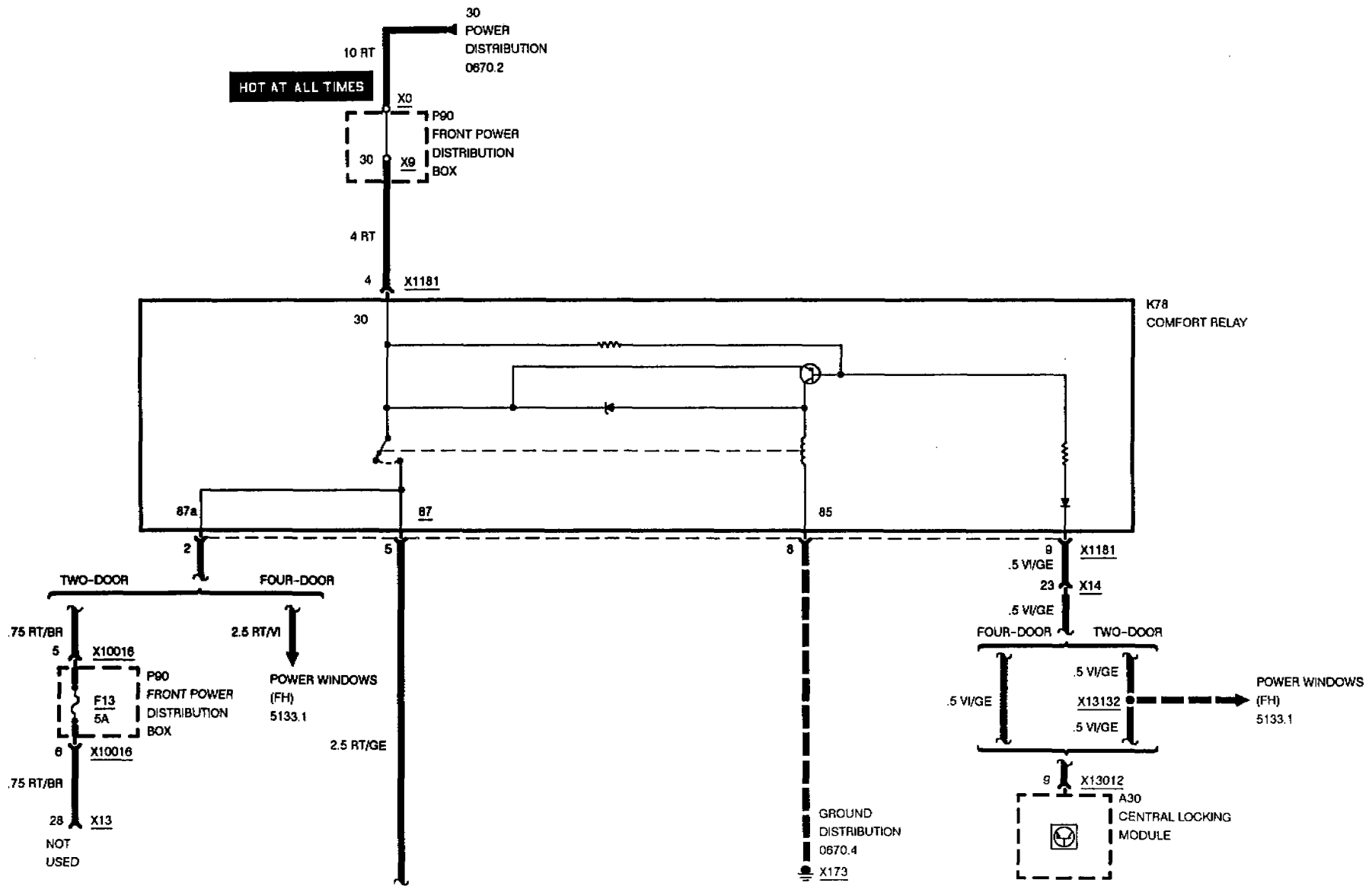


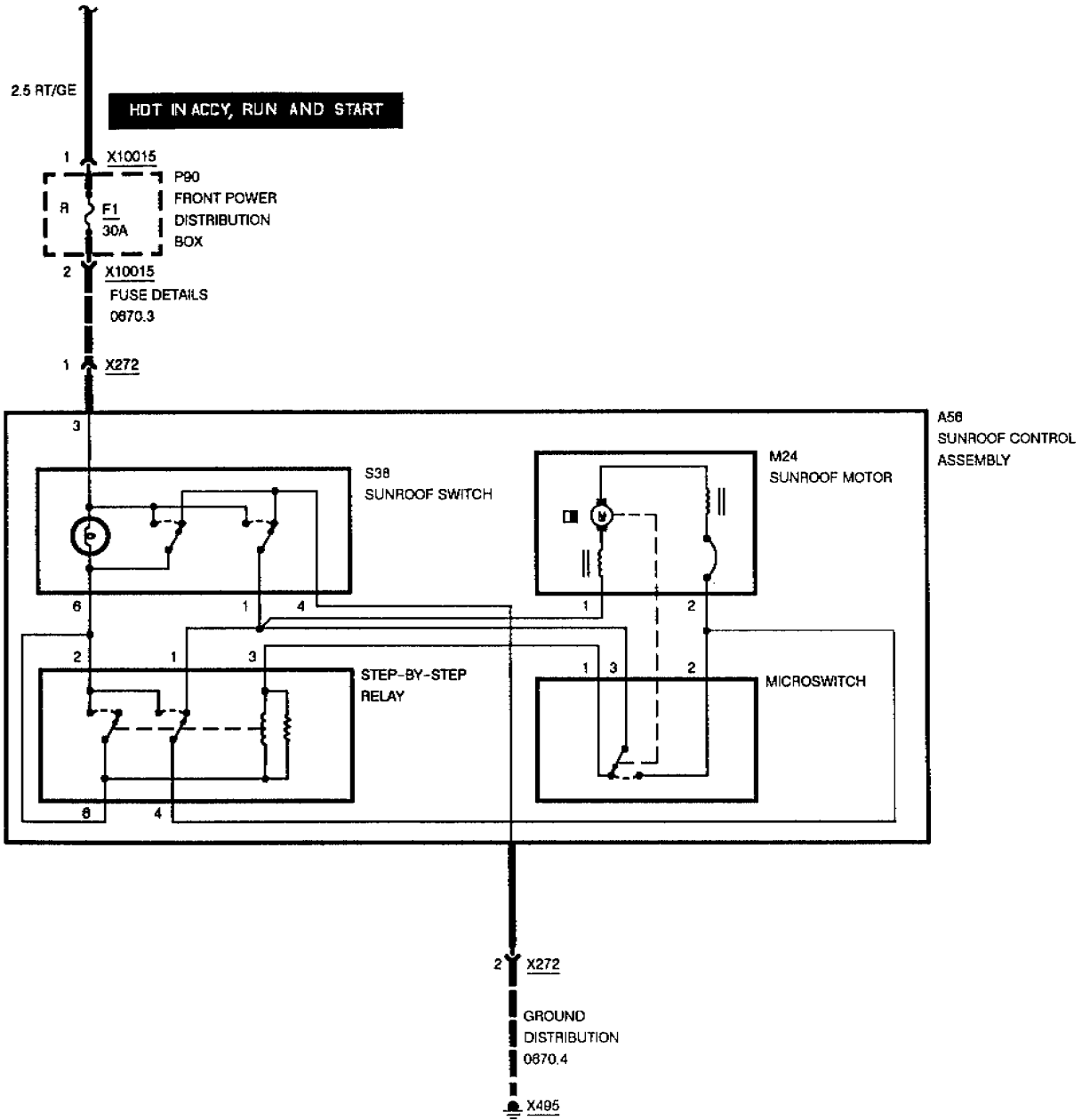
BMW
3

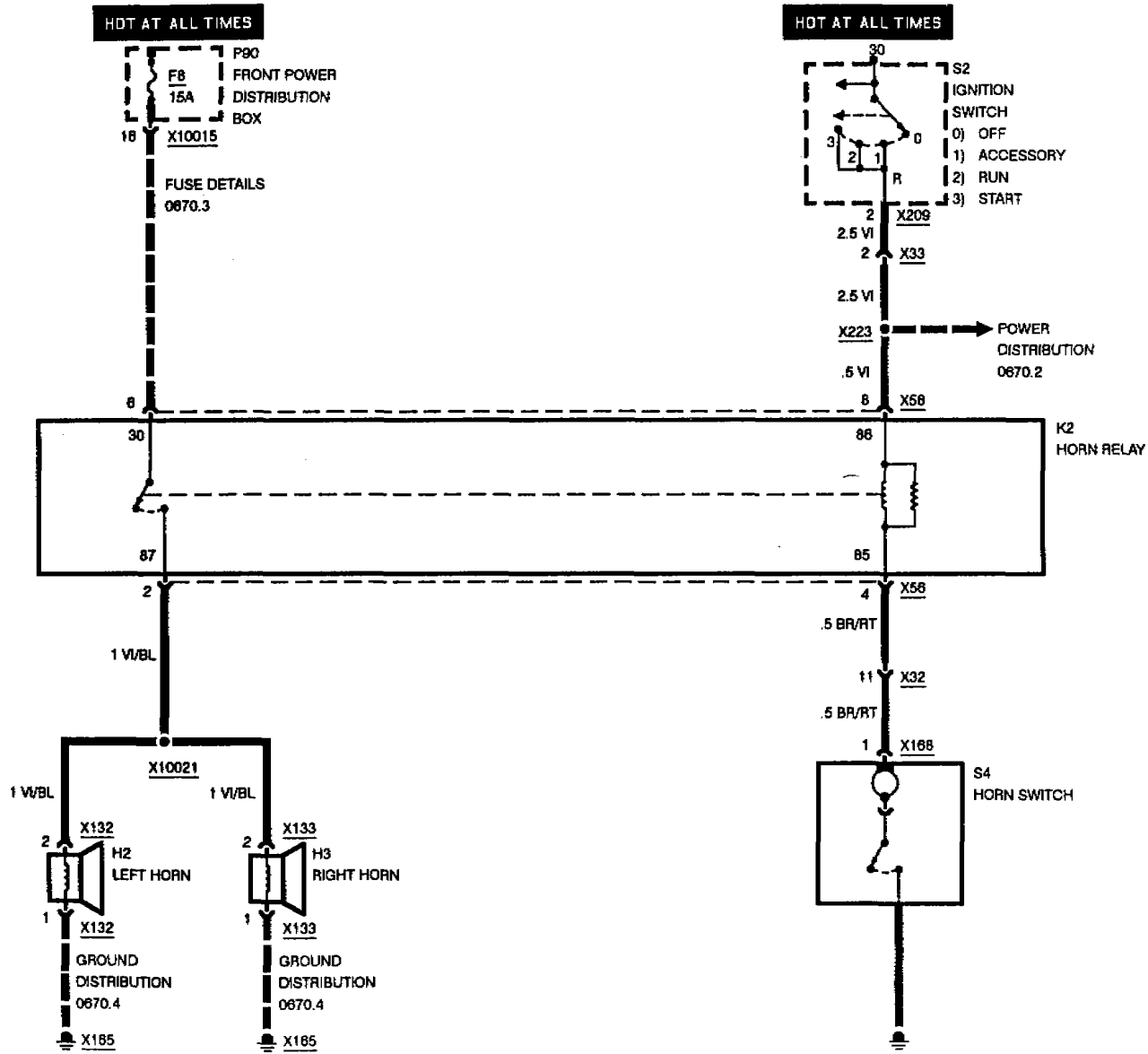
5410.1



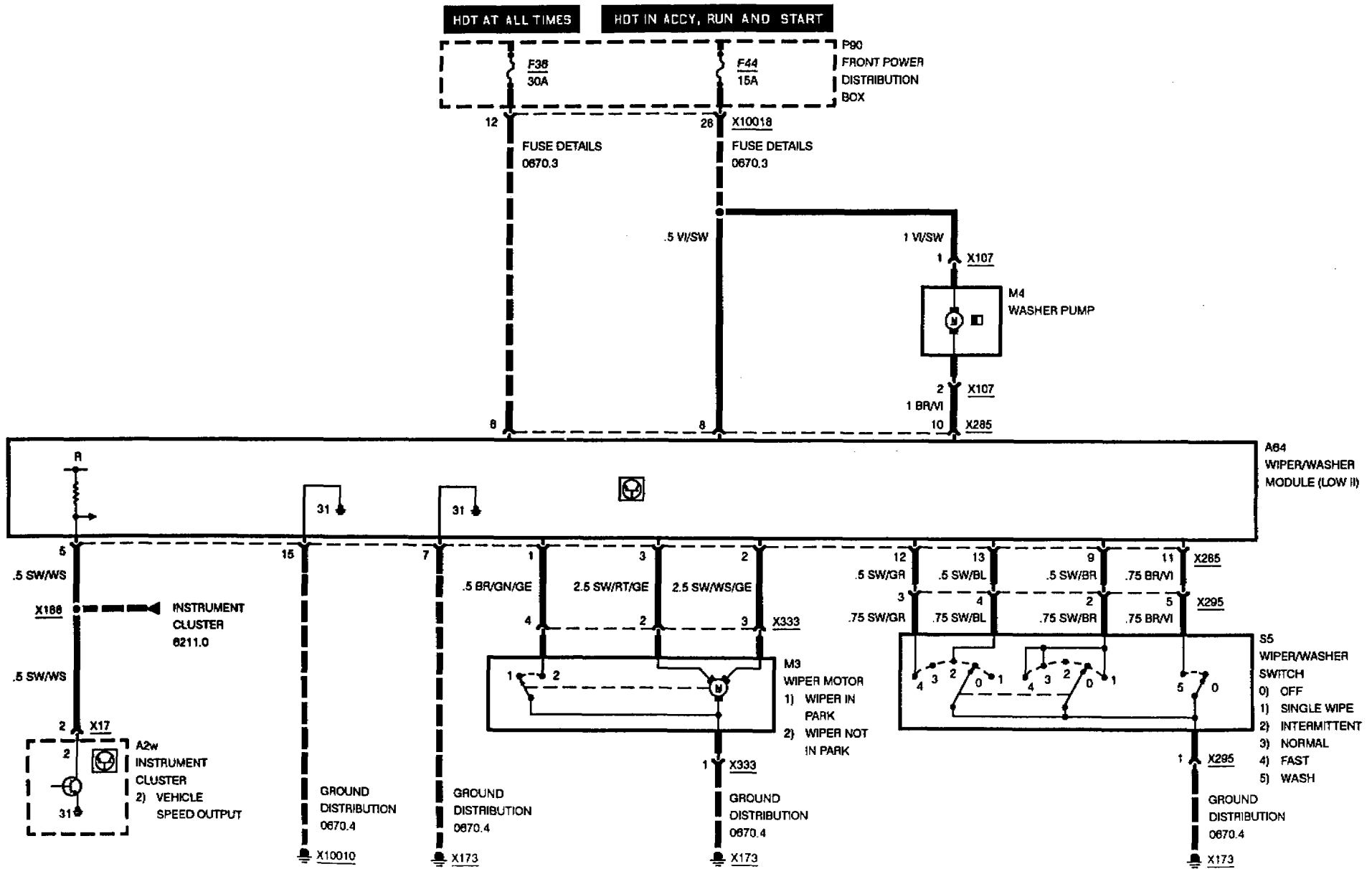
POWER SUN ROOF (SHD)





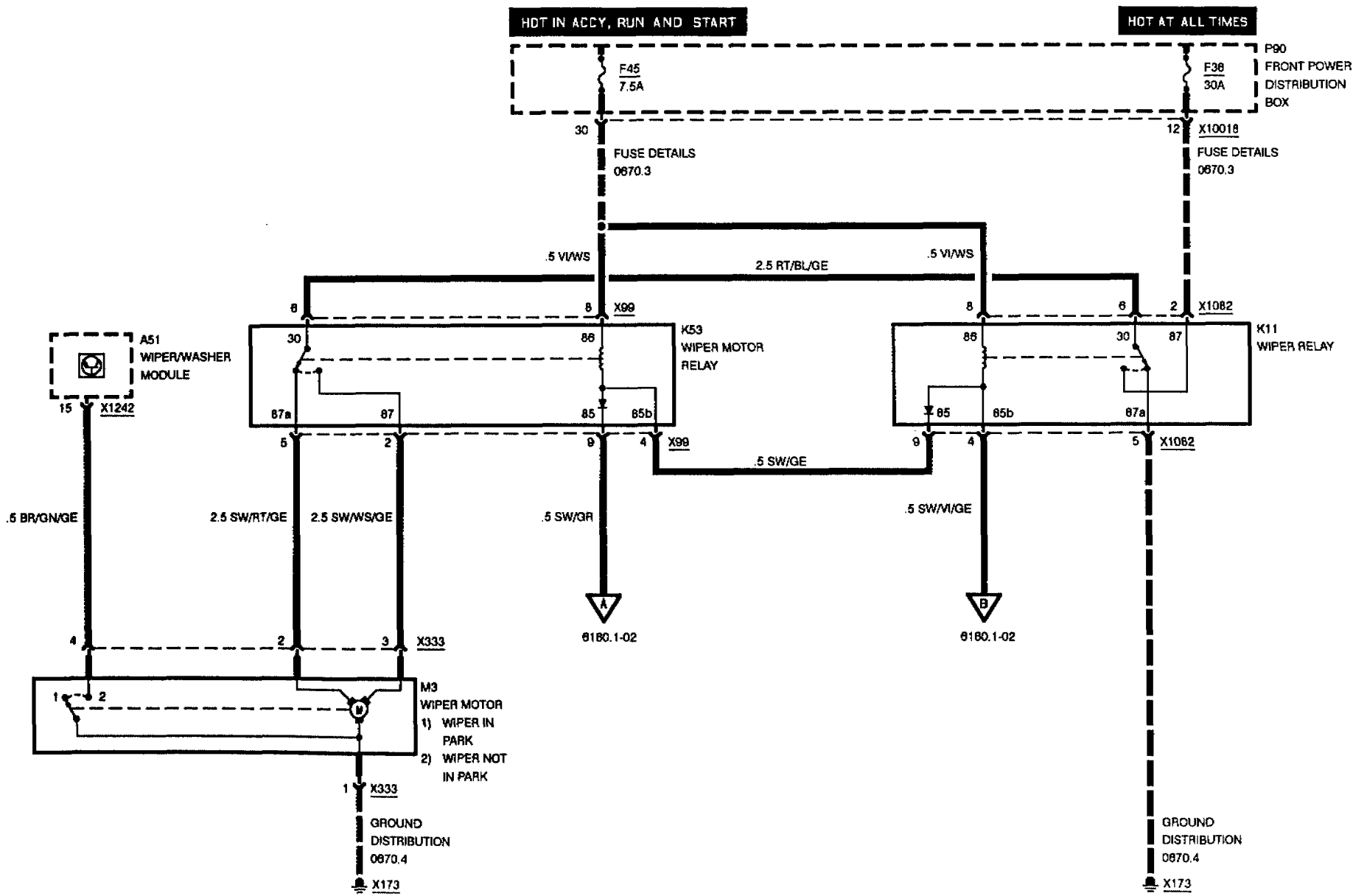


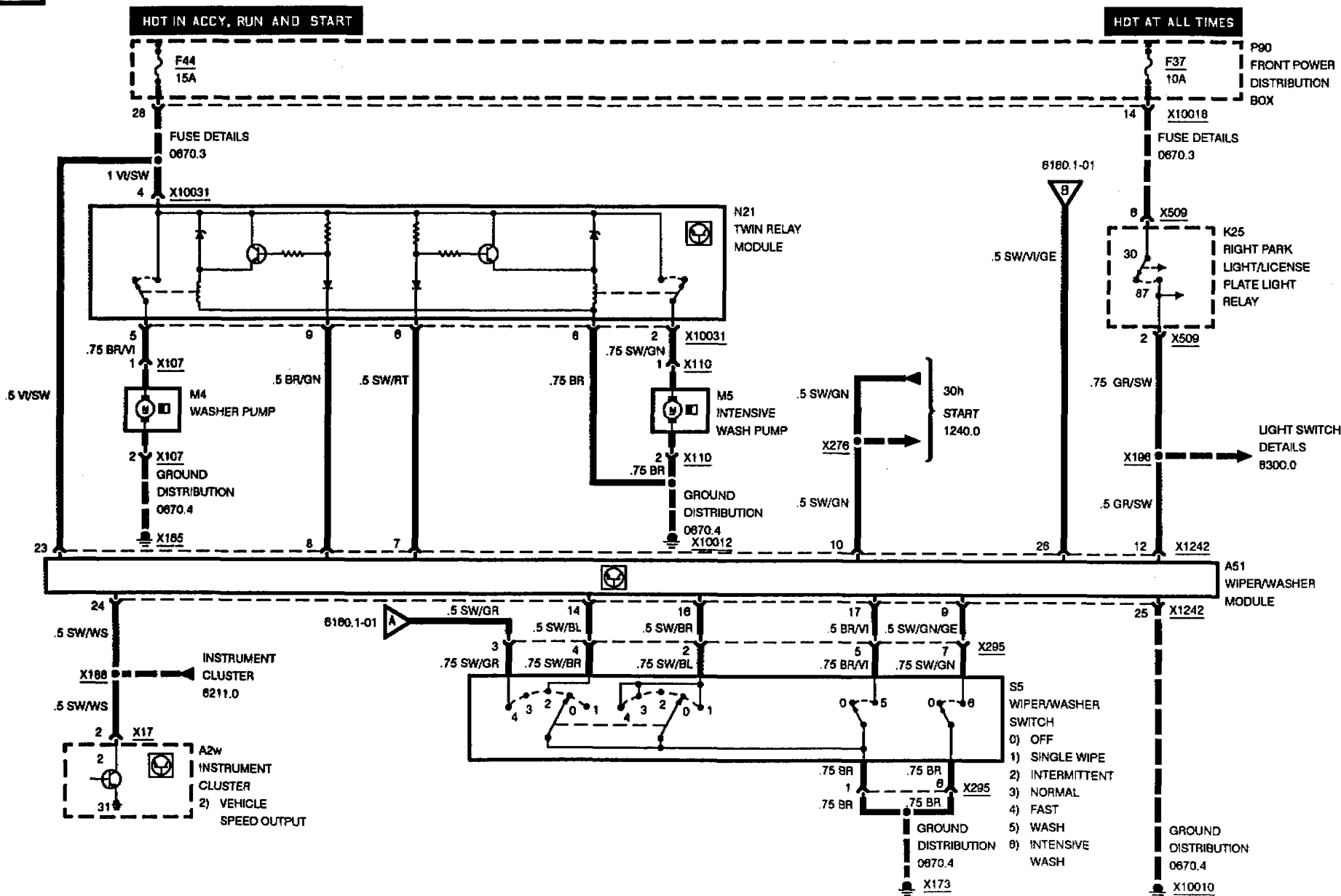






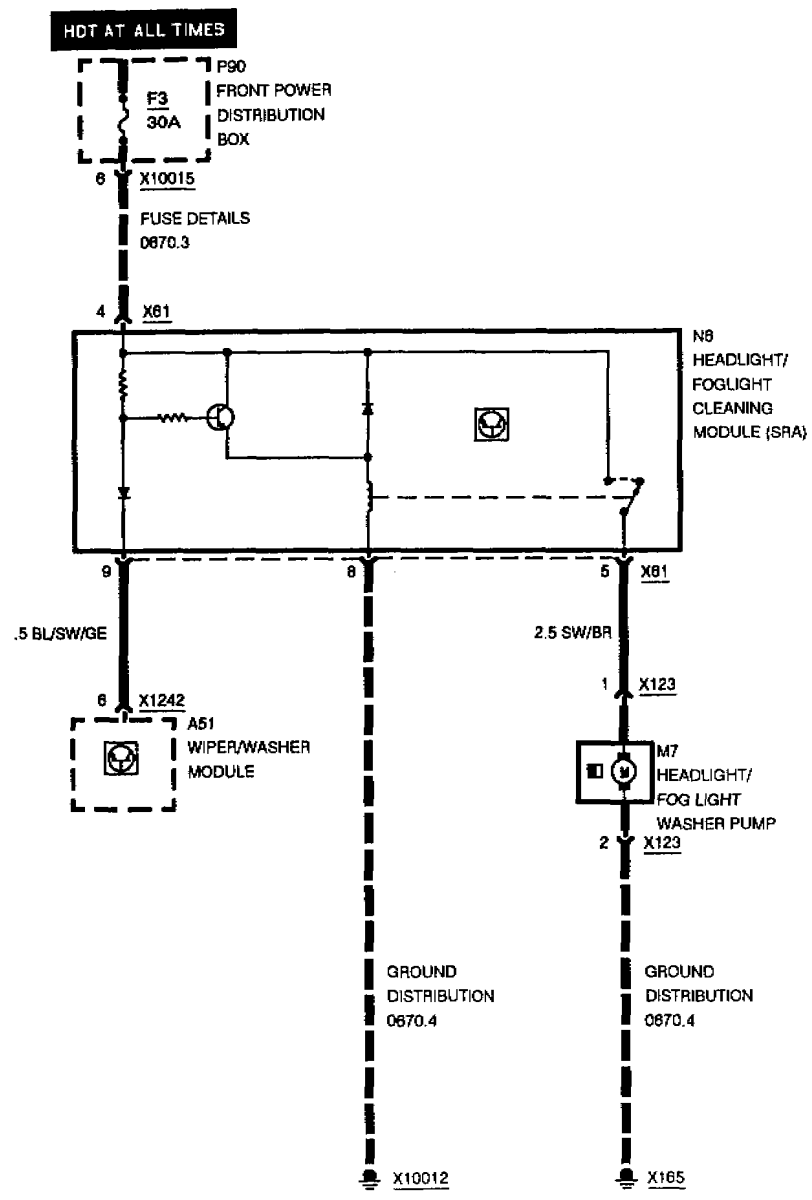
WIPER/ WASHER MODULE (WWM)

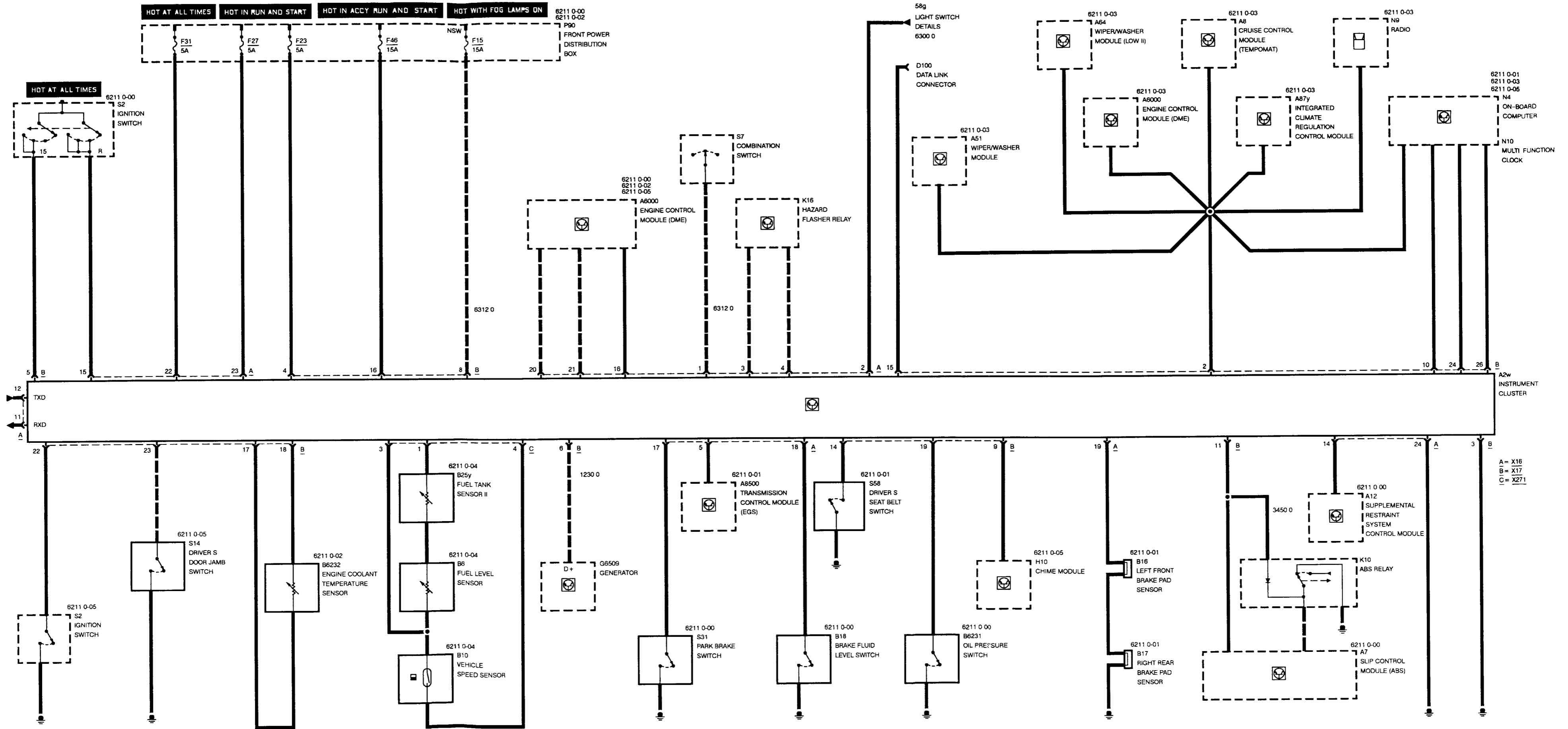




BMW
3

6167.1

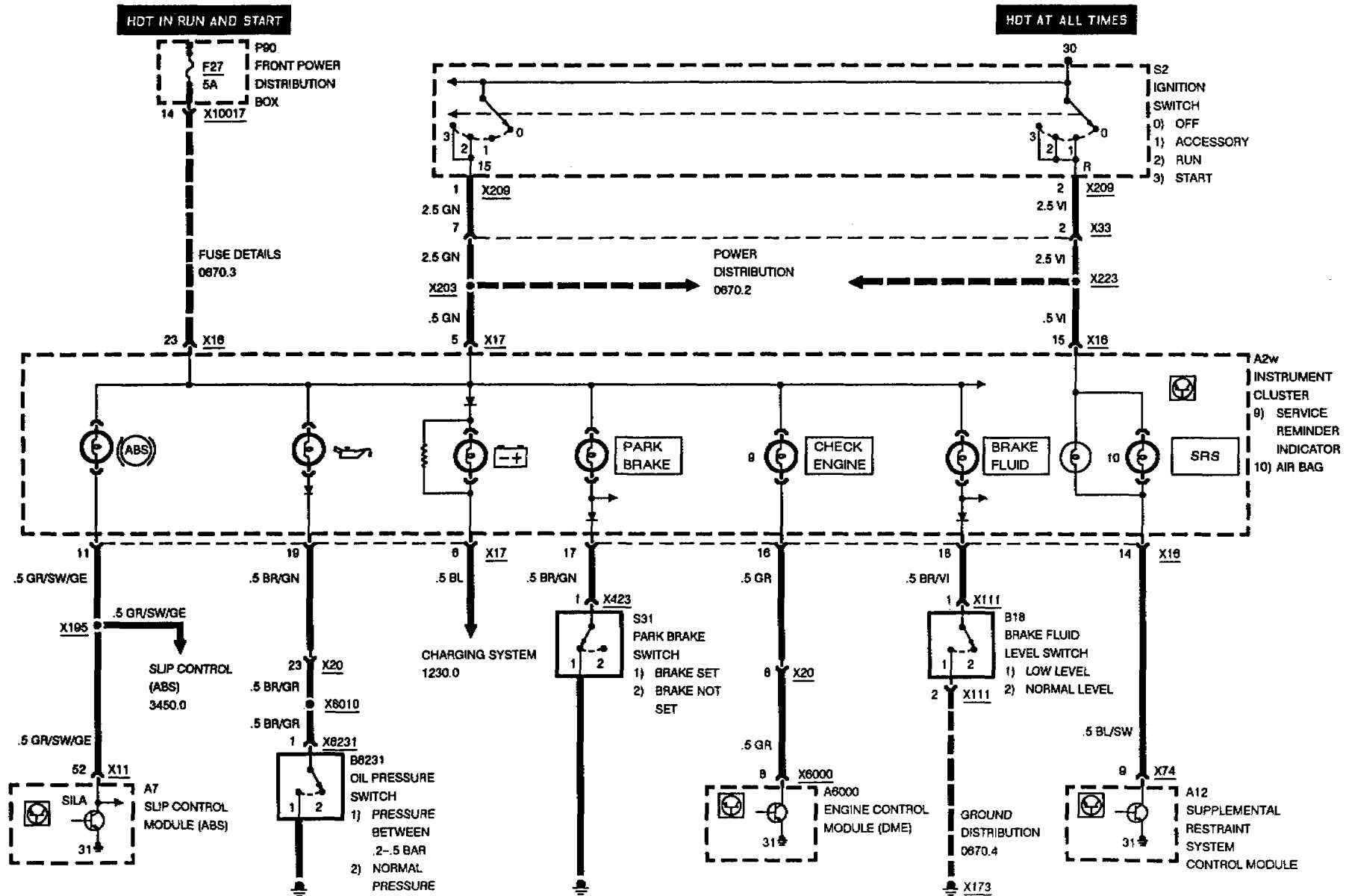








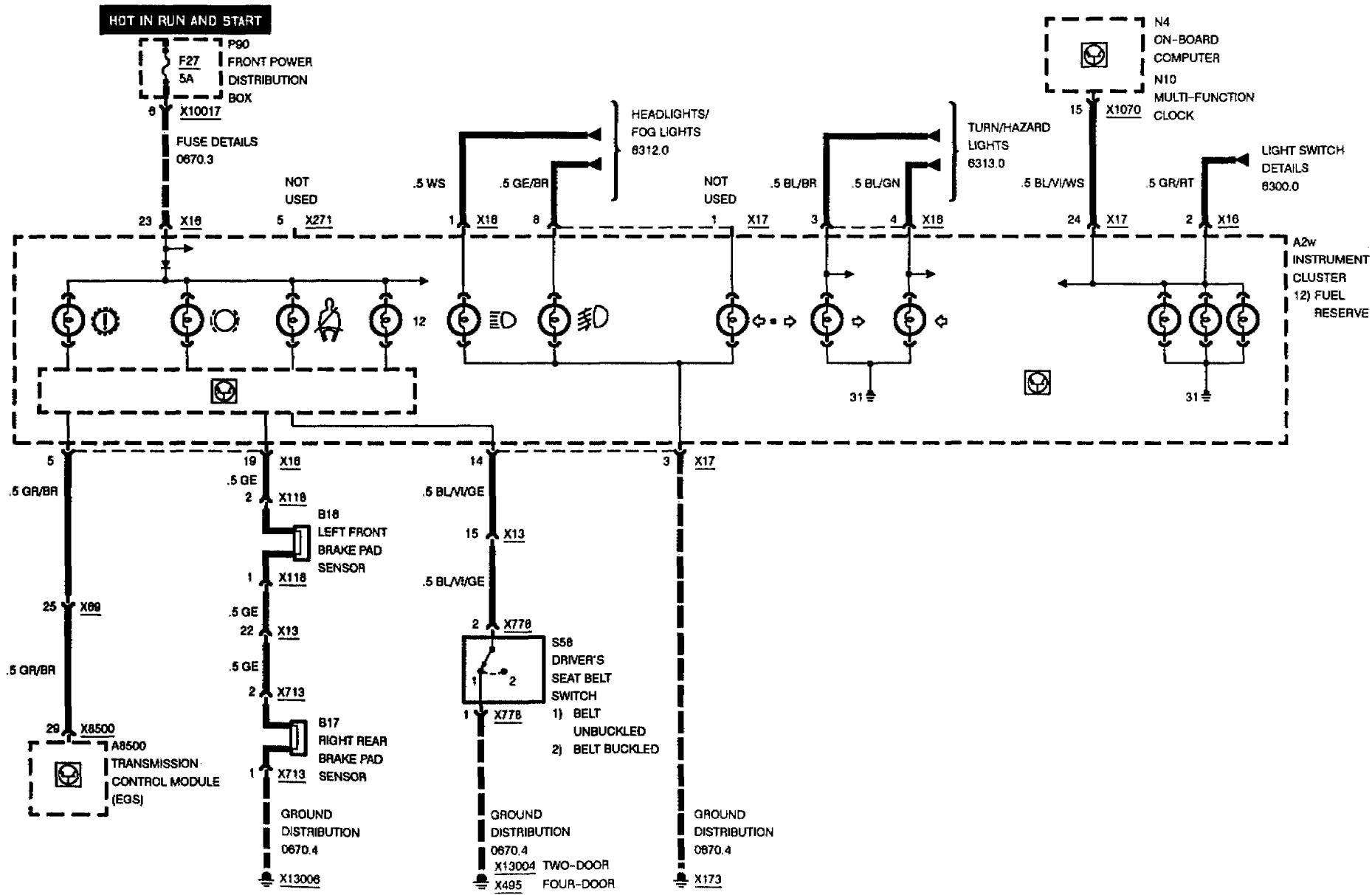
INSTRUMENT CLUSTER INDICATORS





INSTRUMENT CLUSTER

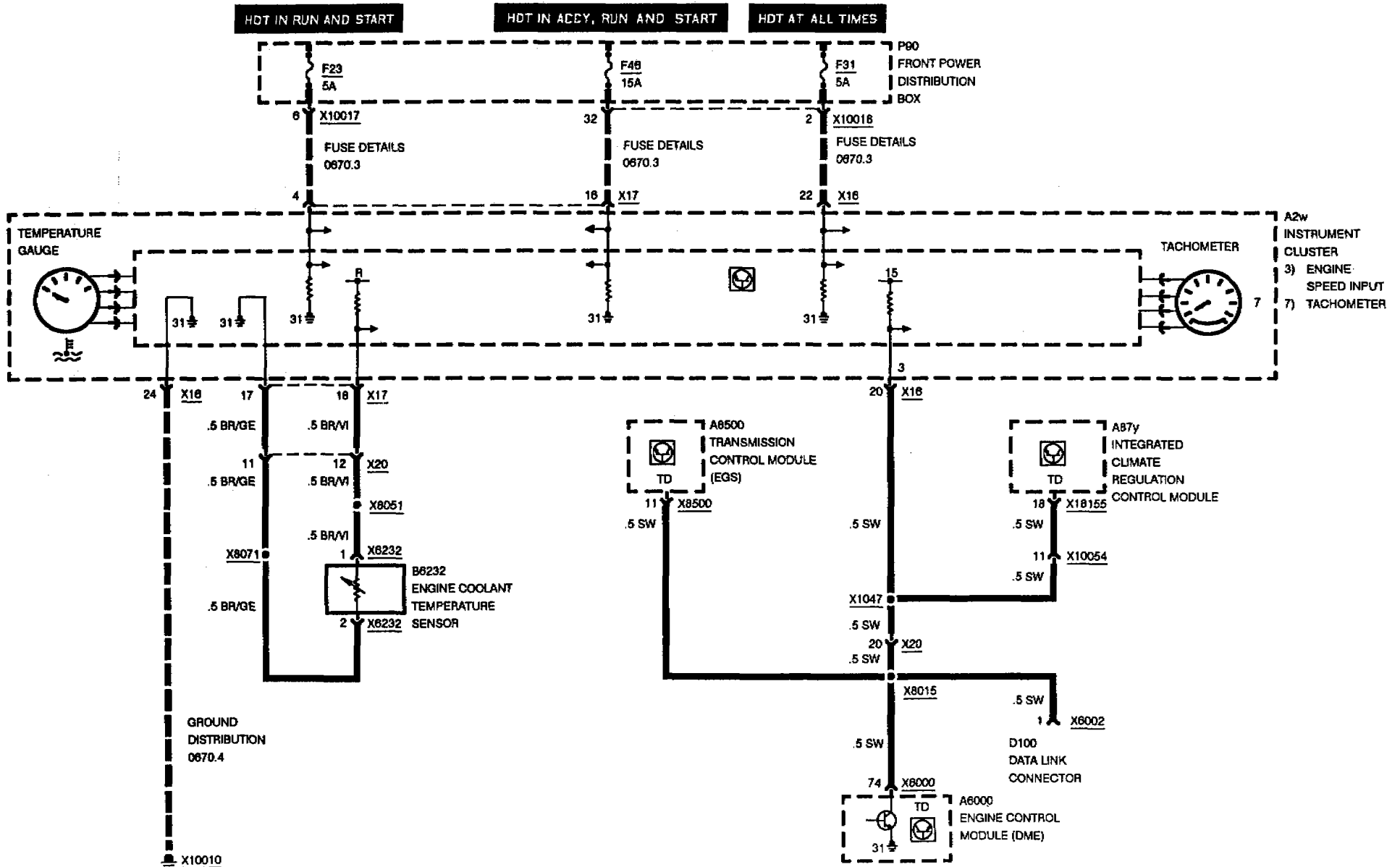
INDICATORS



11/92
 6211.0-01
 1992



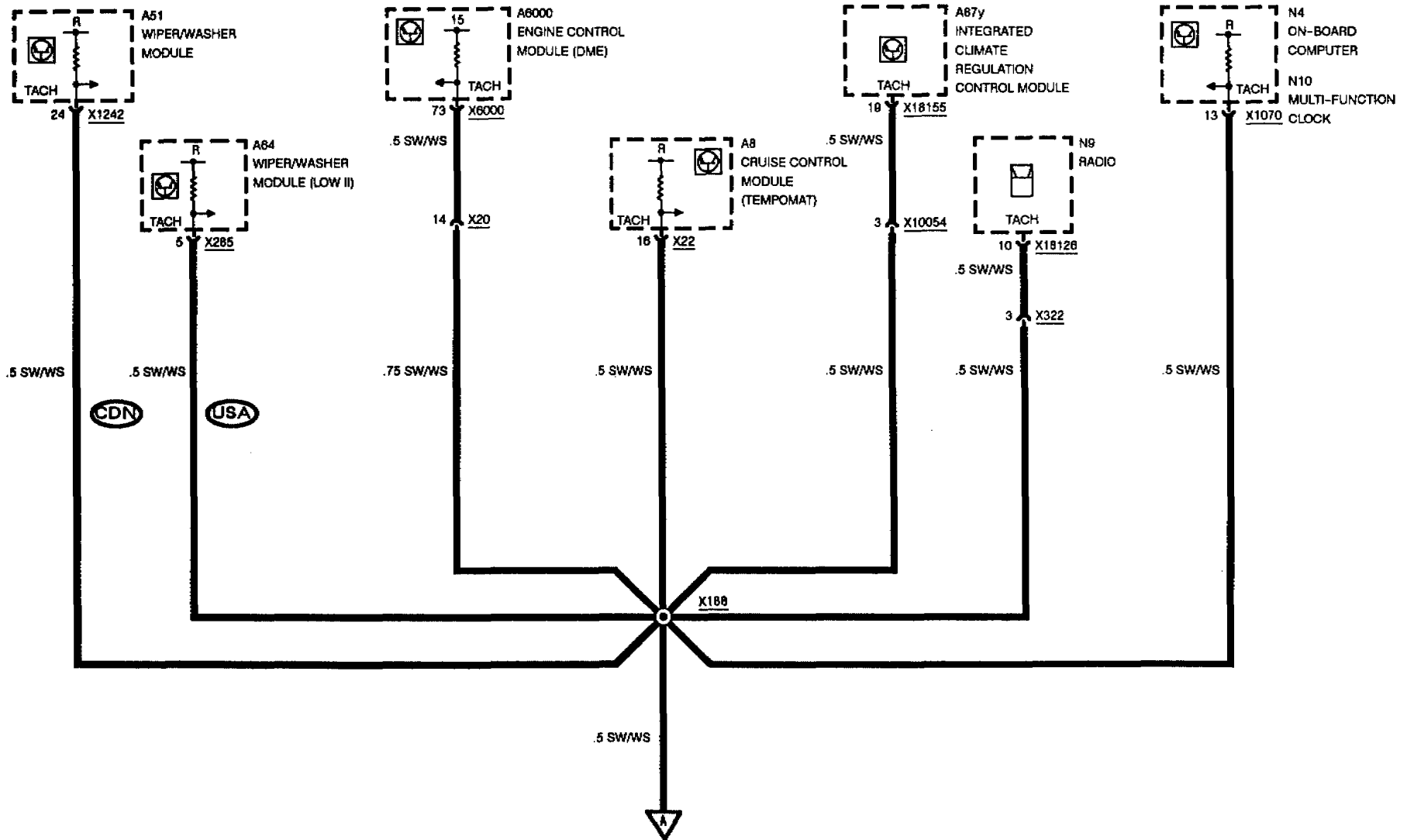
INSTRUMENT CLUSTER INDICATORS





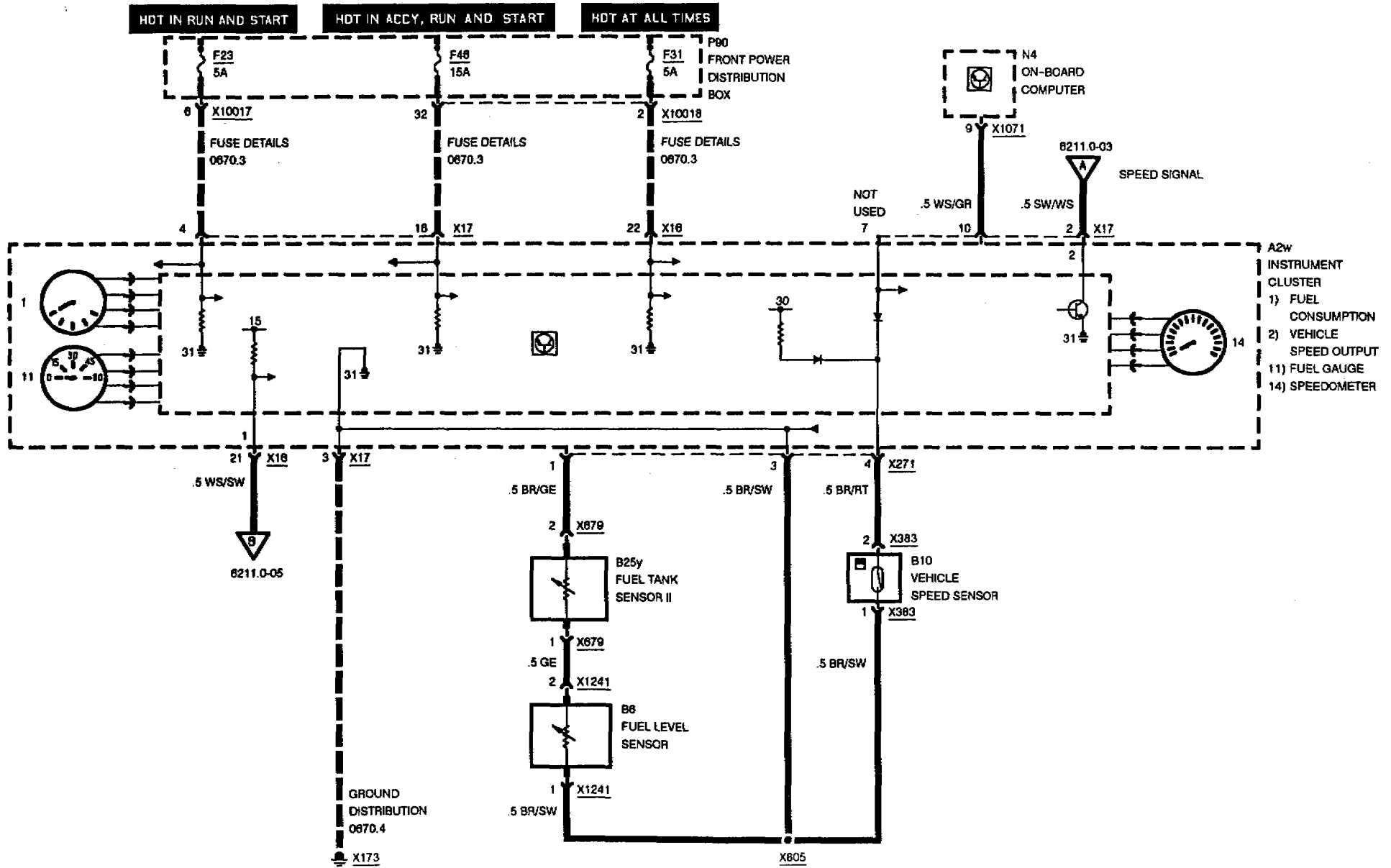
INSTRUMENT CLUSTER

SIGNAL-OUTPUT SPEEDOMETER



6211.0-04

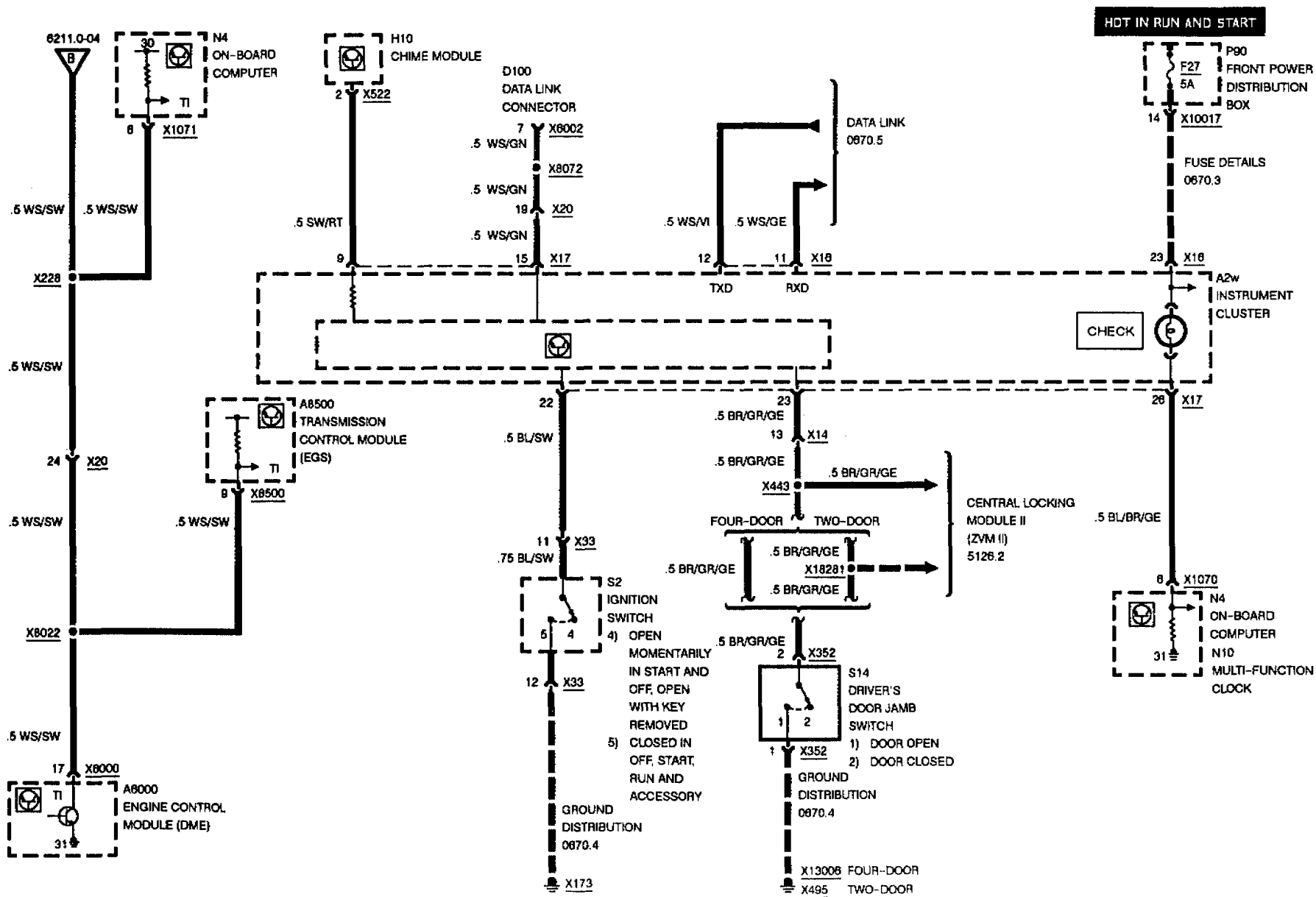
INSTRUMENT CLUSTER INDICATORS



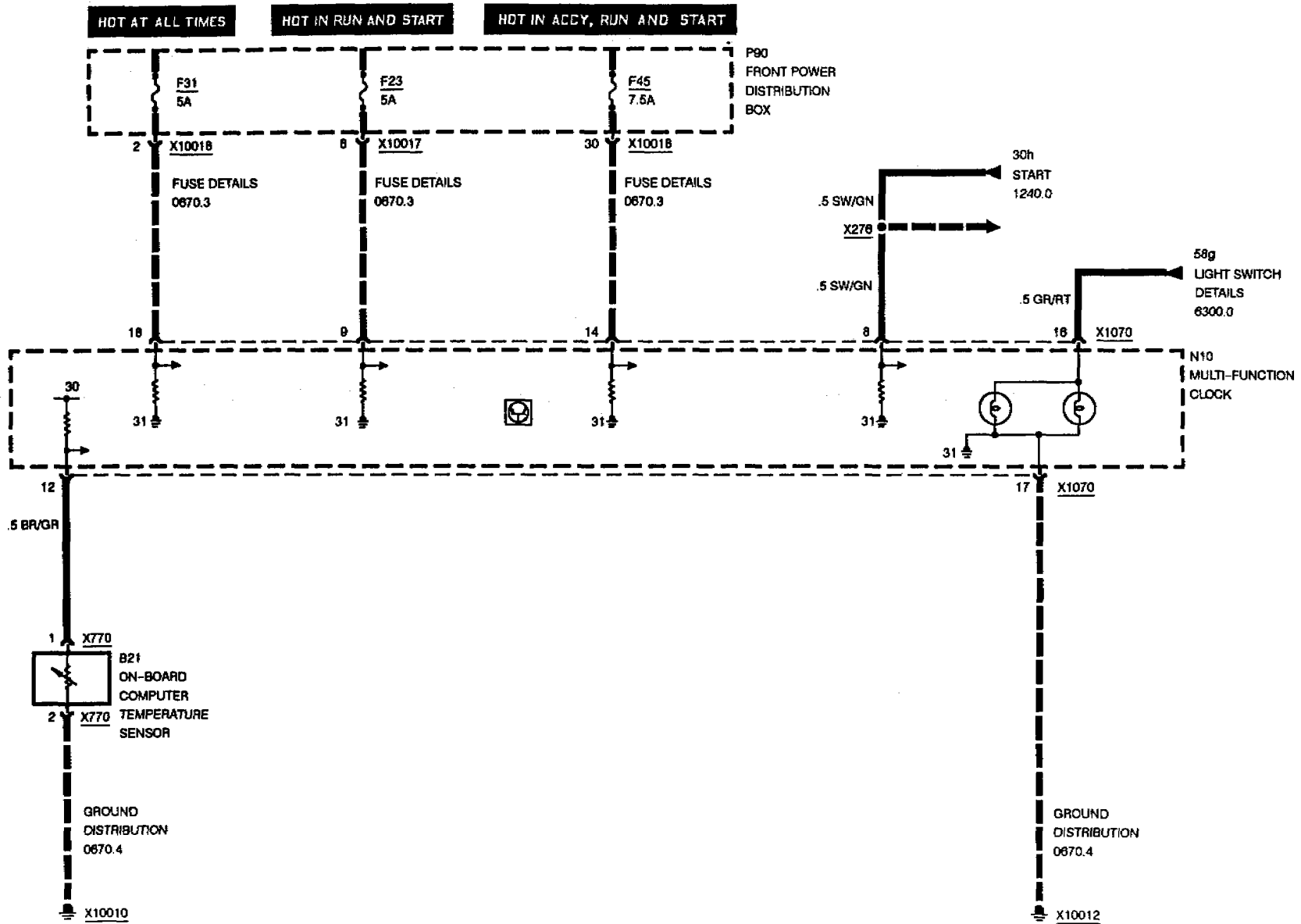


INSTRUMENT CLUSTER

INDICATORS



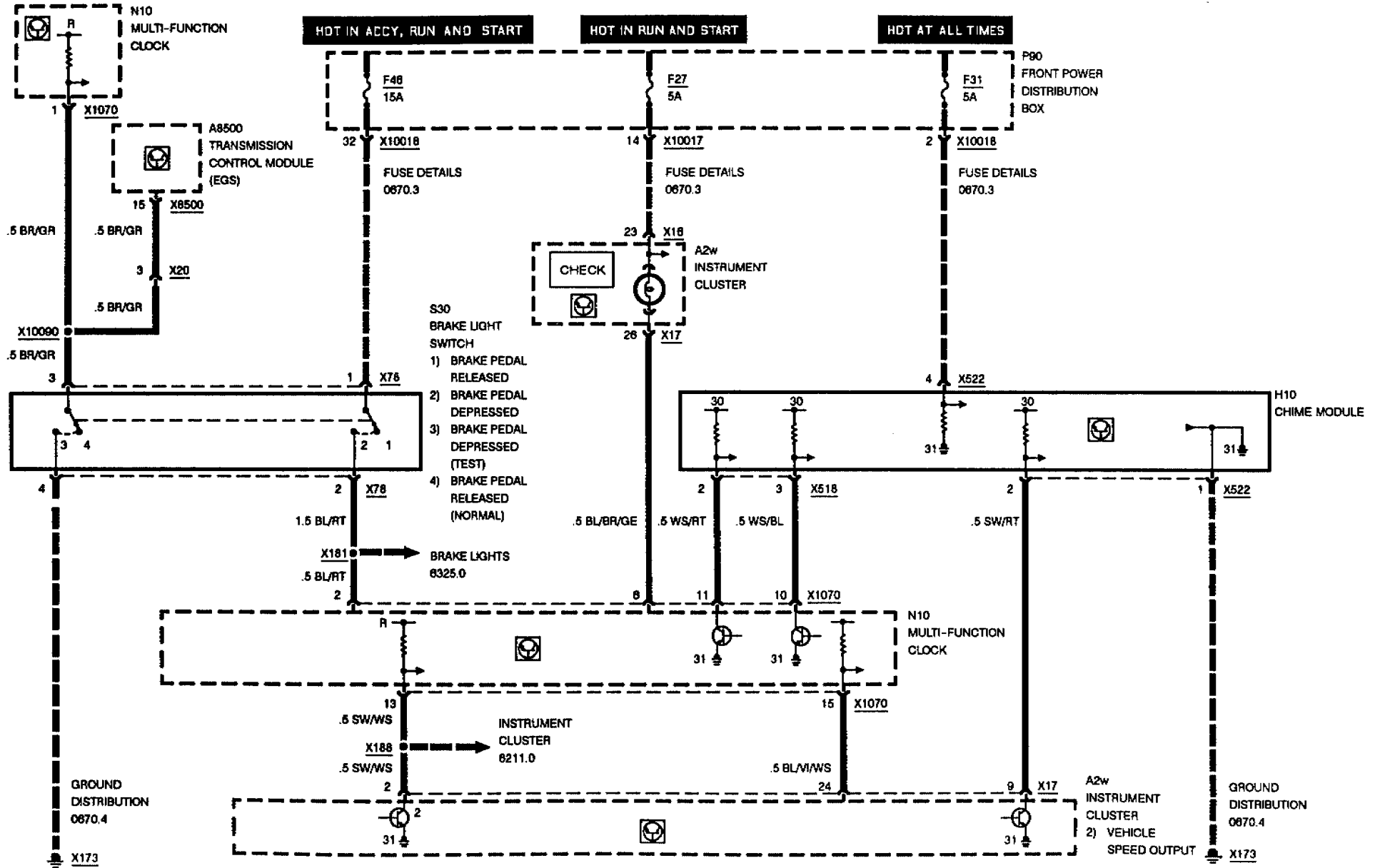
MULTI-FUNCTION CLOCK

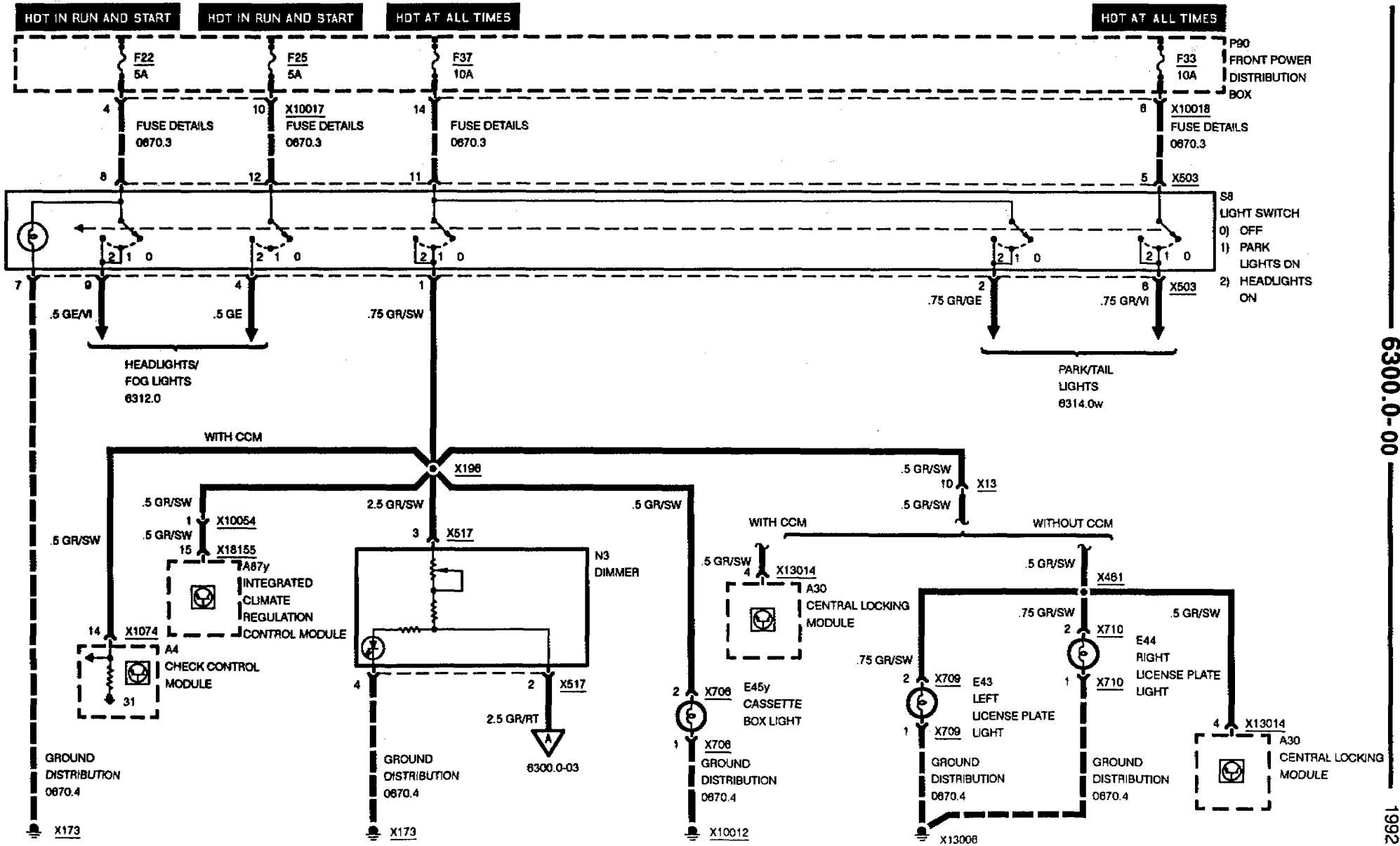




MULTI-FUNCTION CLOCK

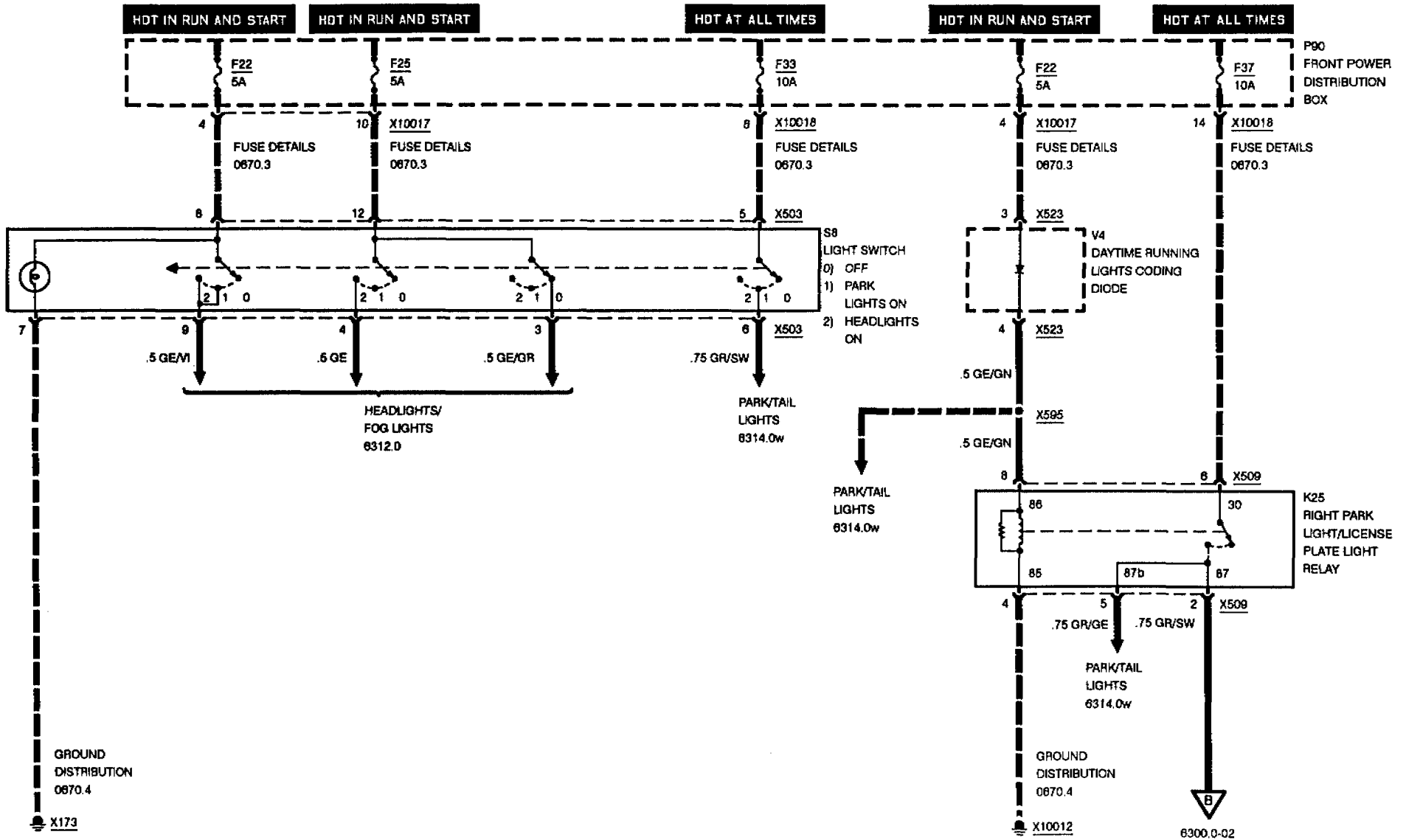
CHIME, BRAKE LIGHT SWITCH

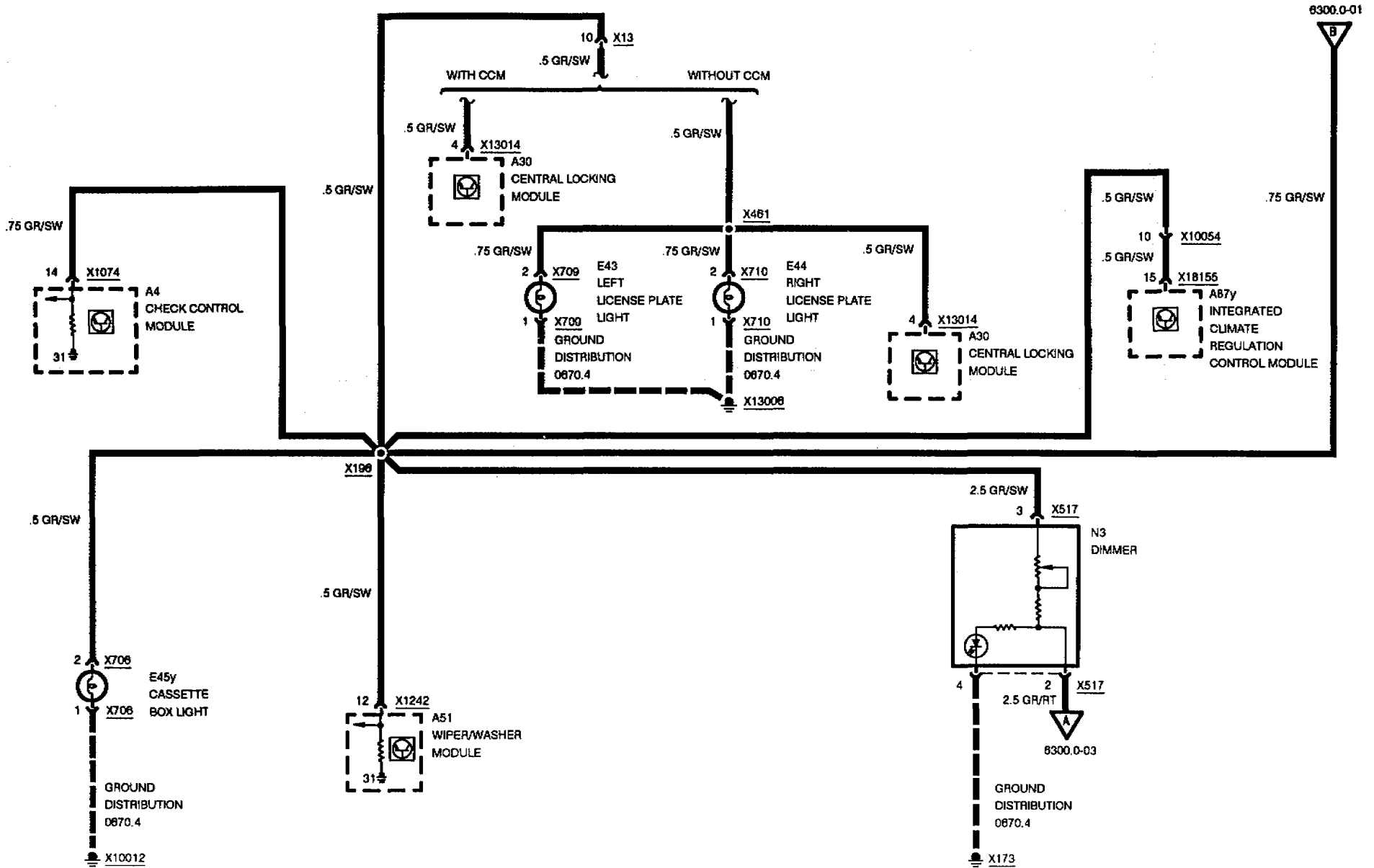




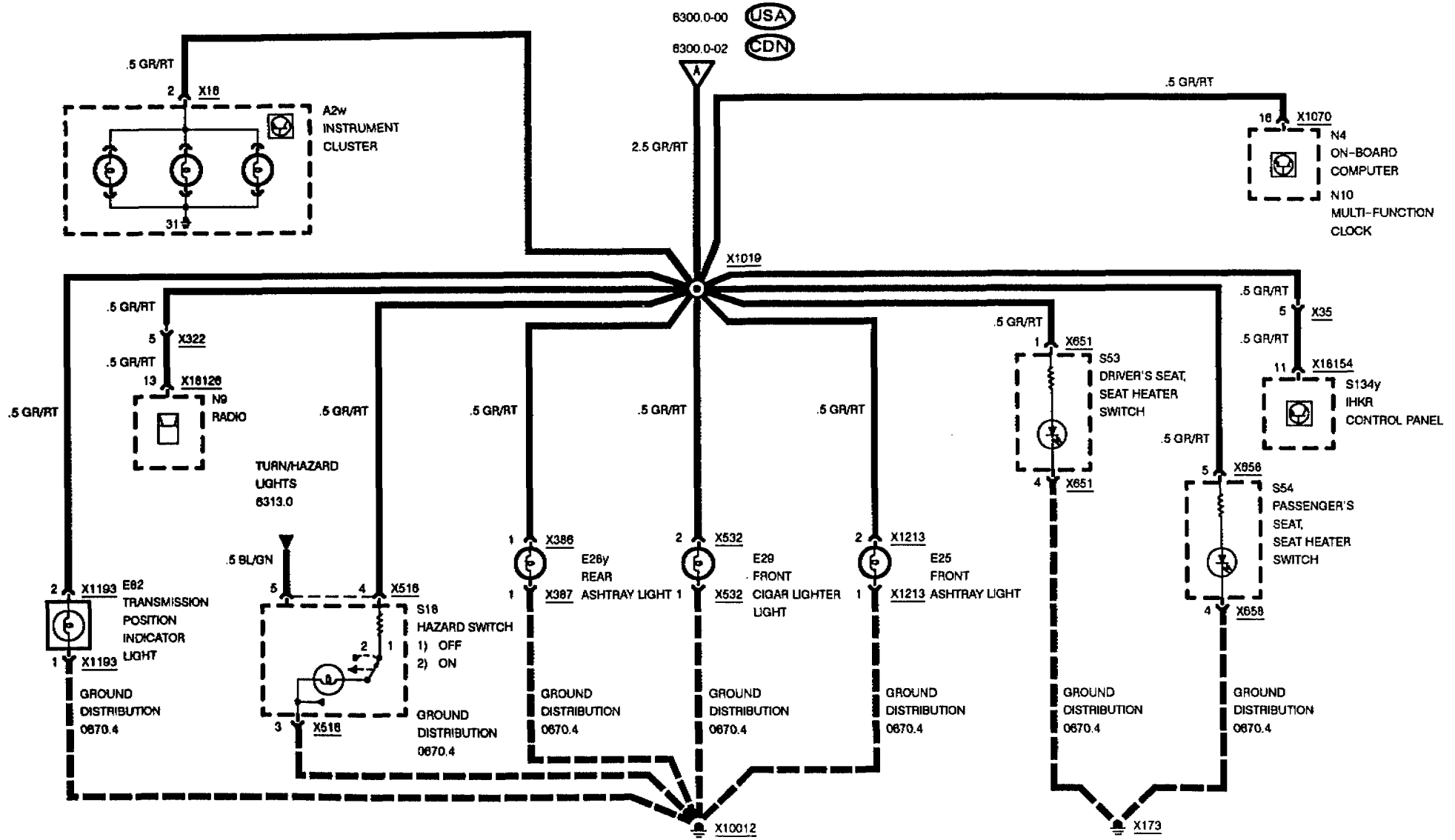


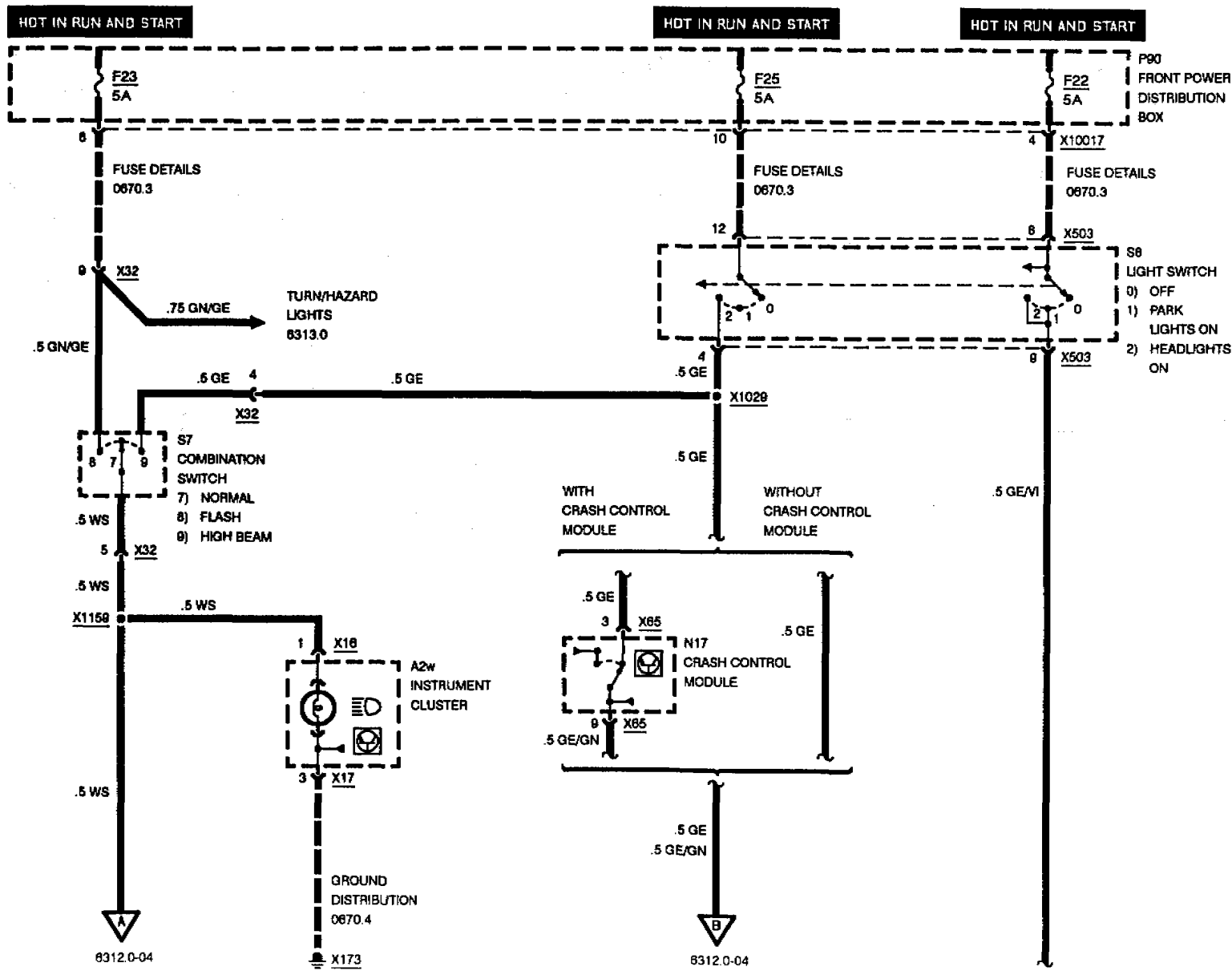
LIGHT SWITCH DETAILS

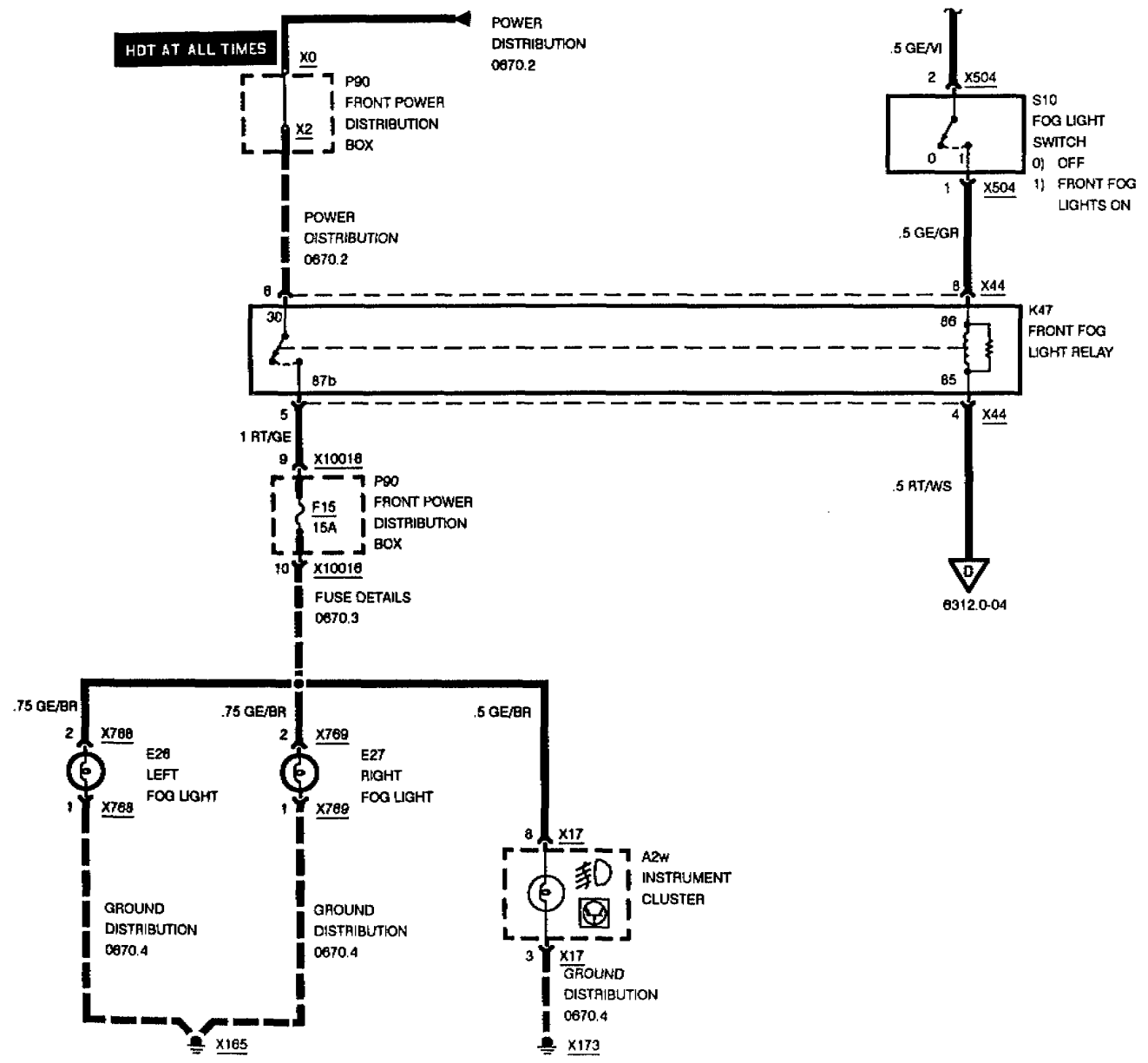


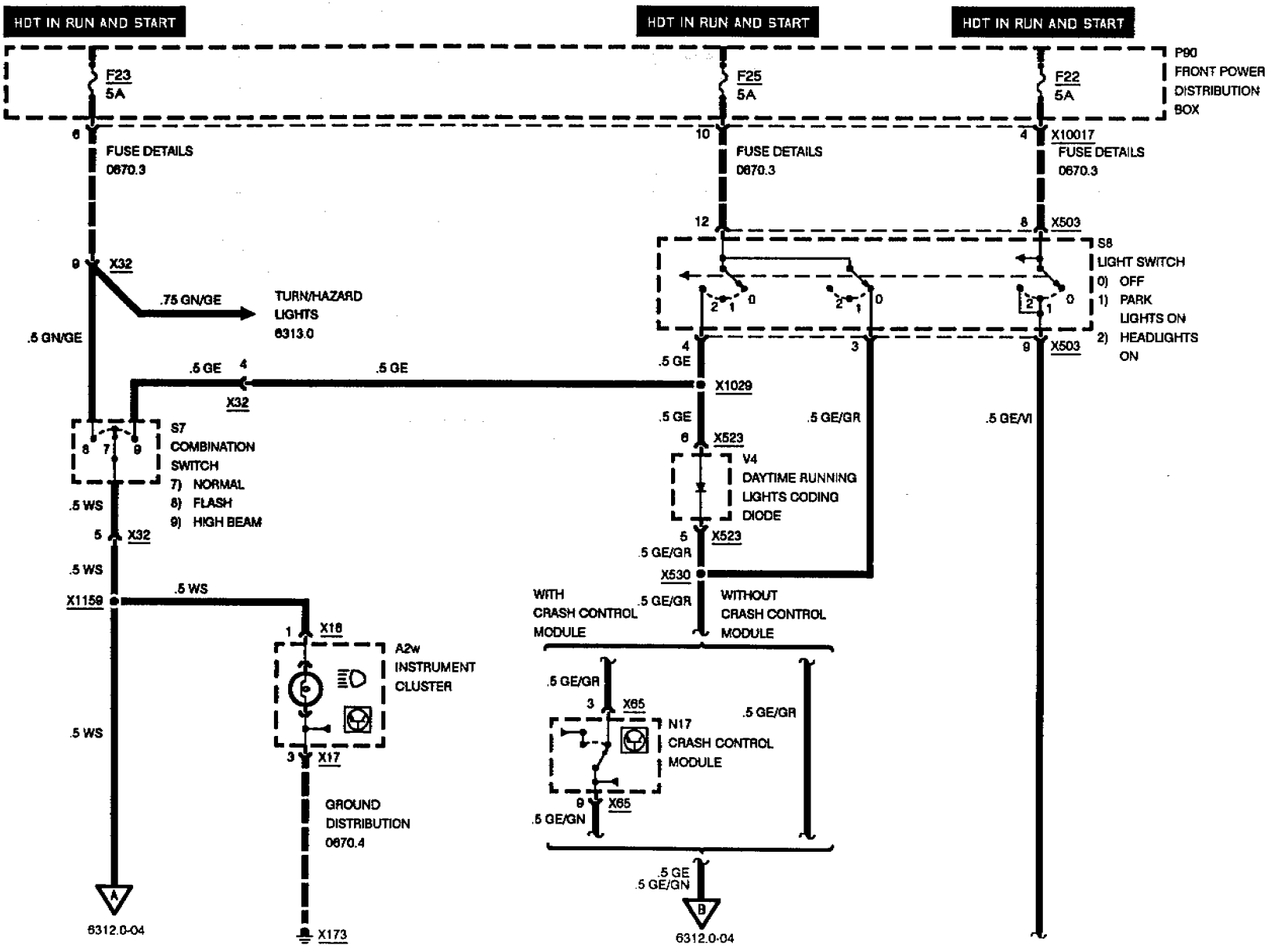


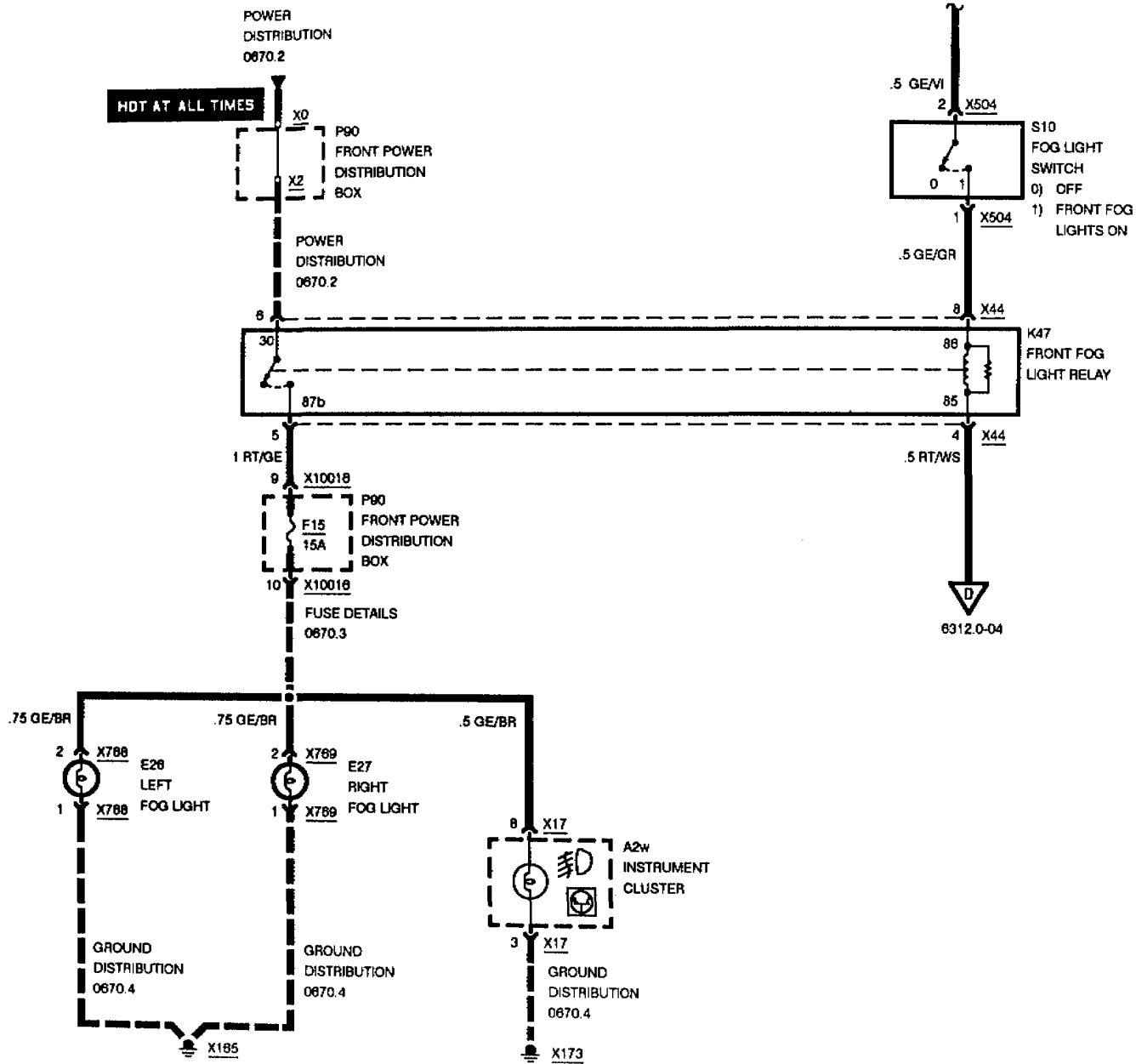
BMW 3 LIGHT SWITCH DETAILS









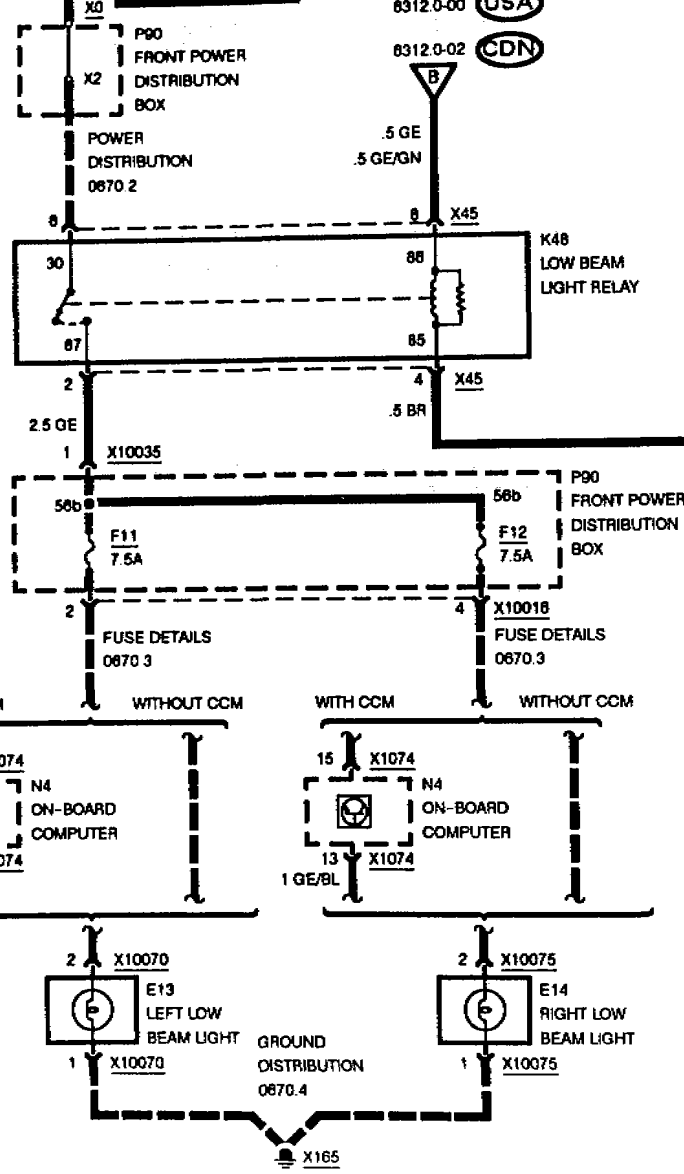




HEADLIGHTS/ FOG LIGHTS

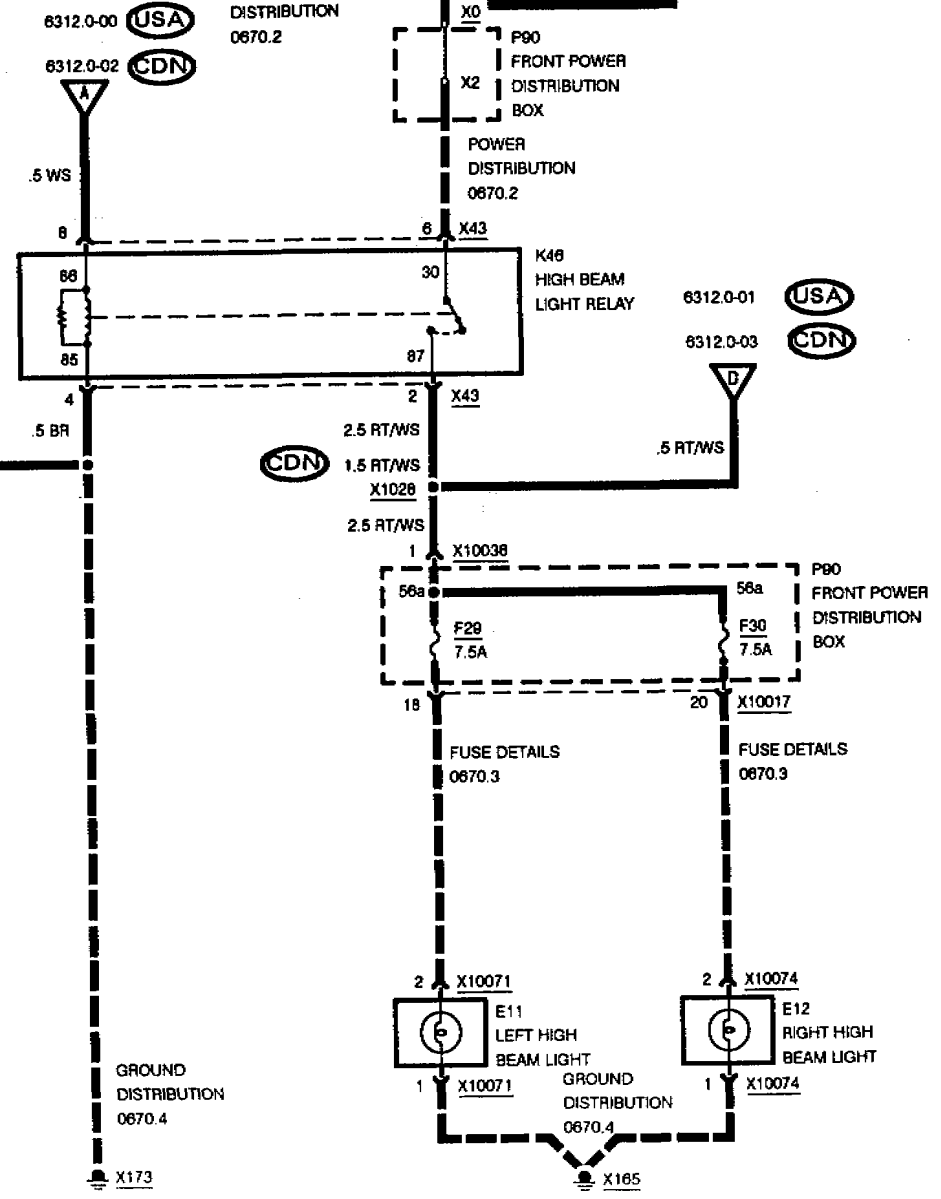
POWER DISTRIBUTION 0670.2

HOT AT ALL TIMES



POWER DISTRIBUTION 0670.2

HDT AT ALL TIMES



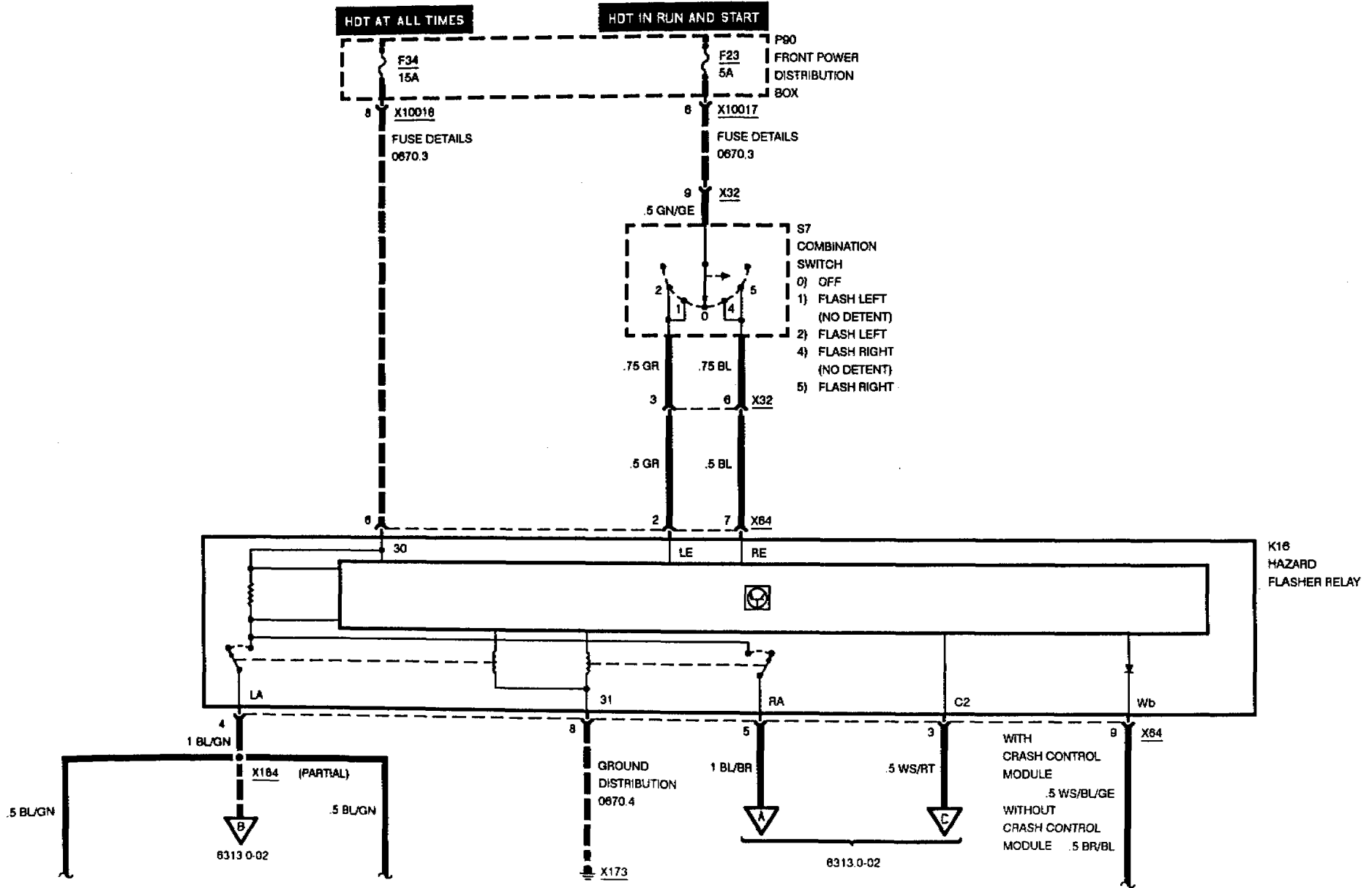
BMW
3

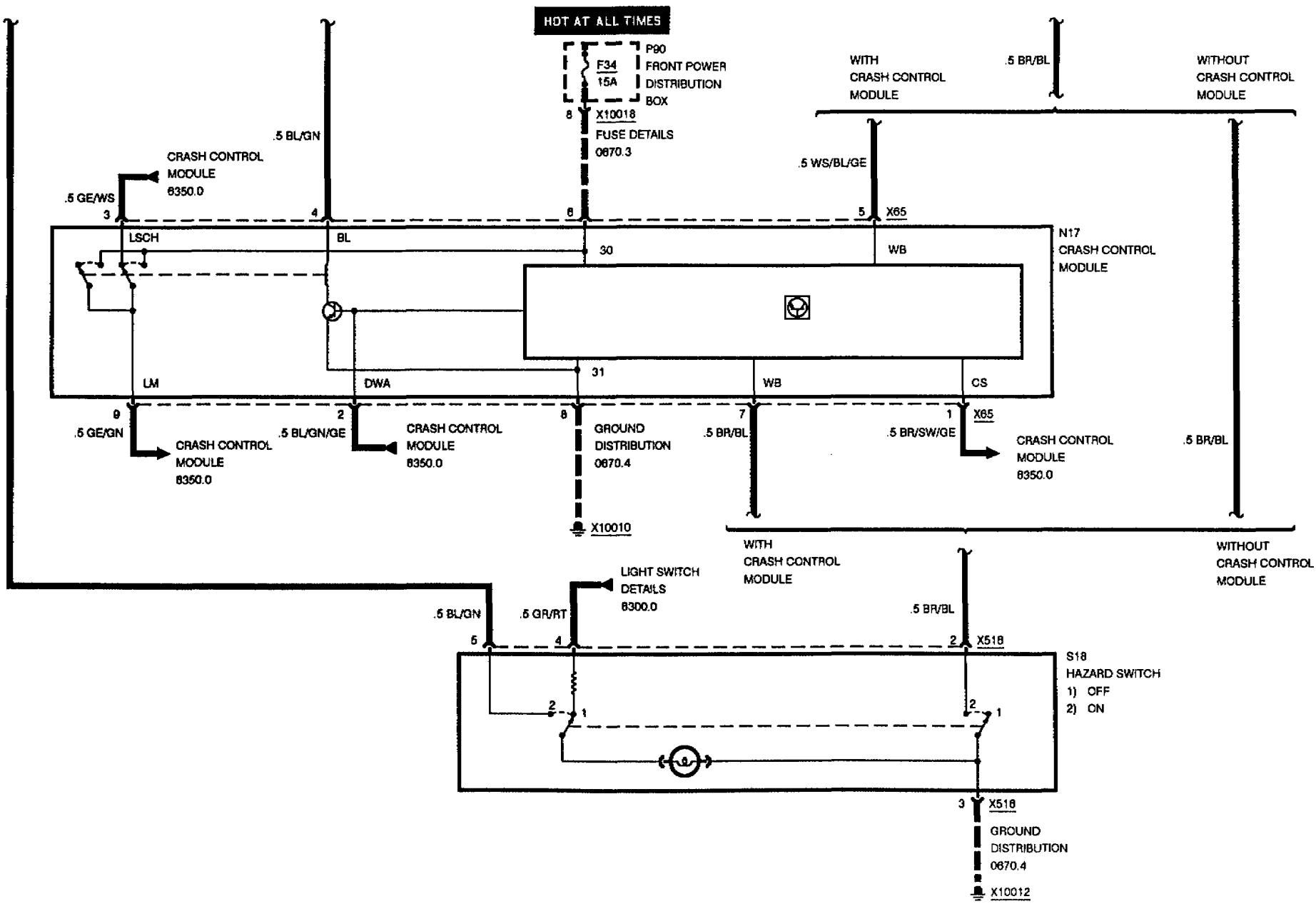


6313.0

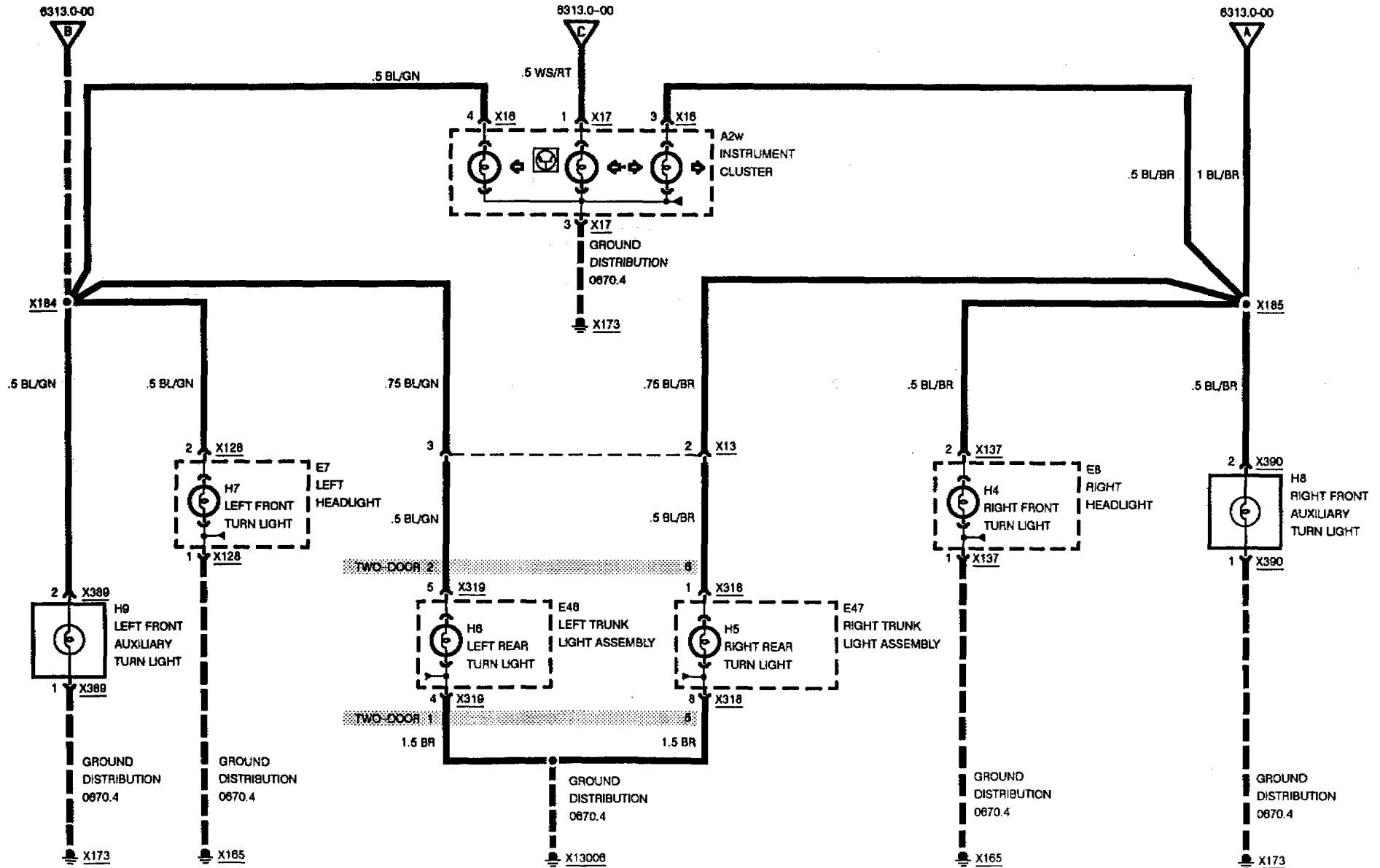


TURN/HAZARD LIGHTS



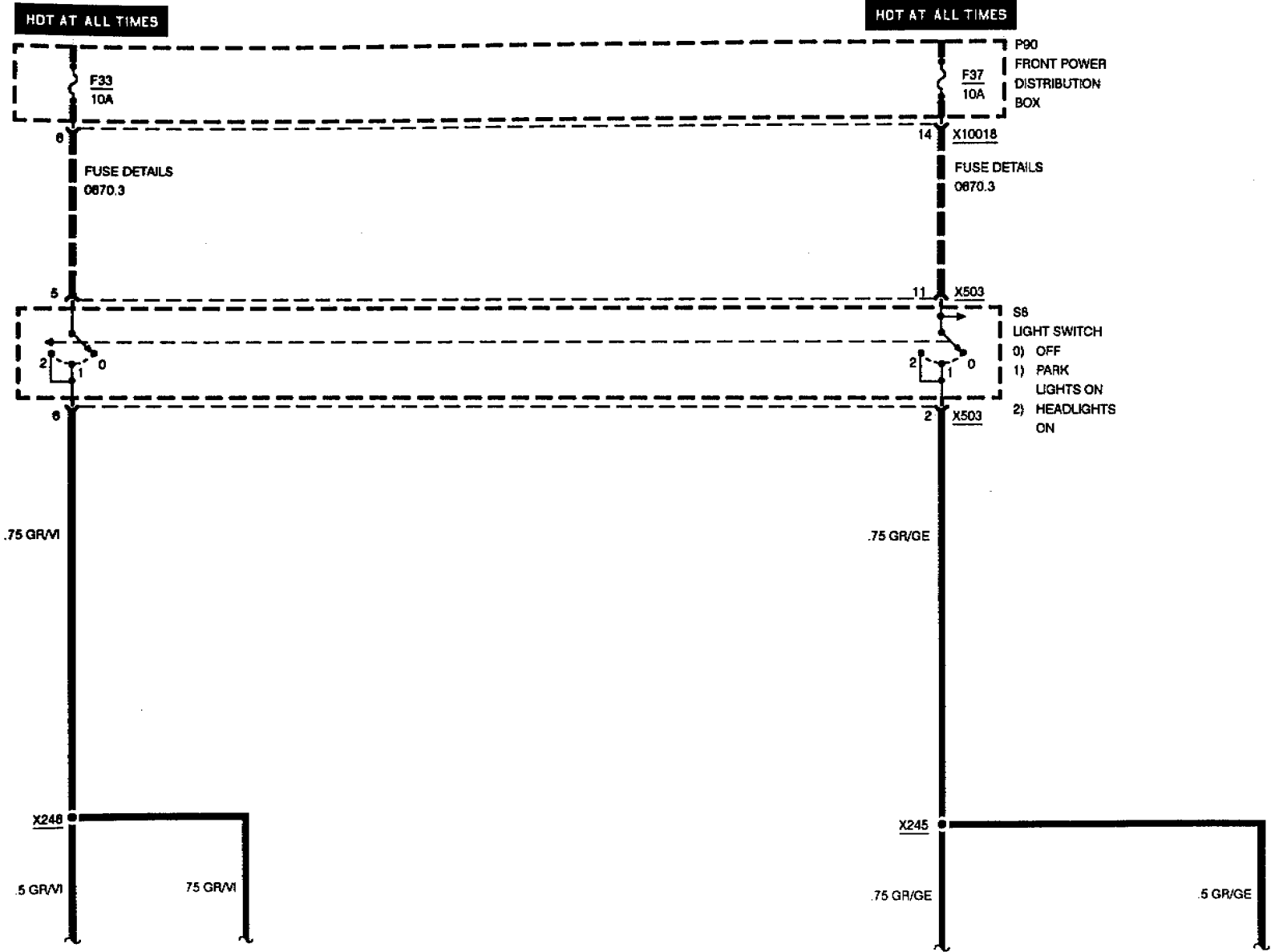


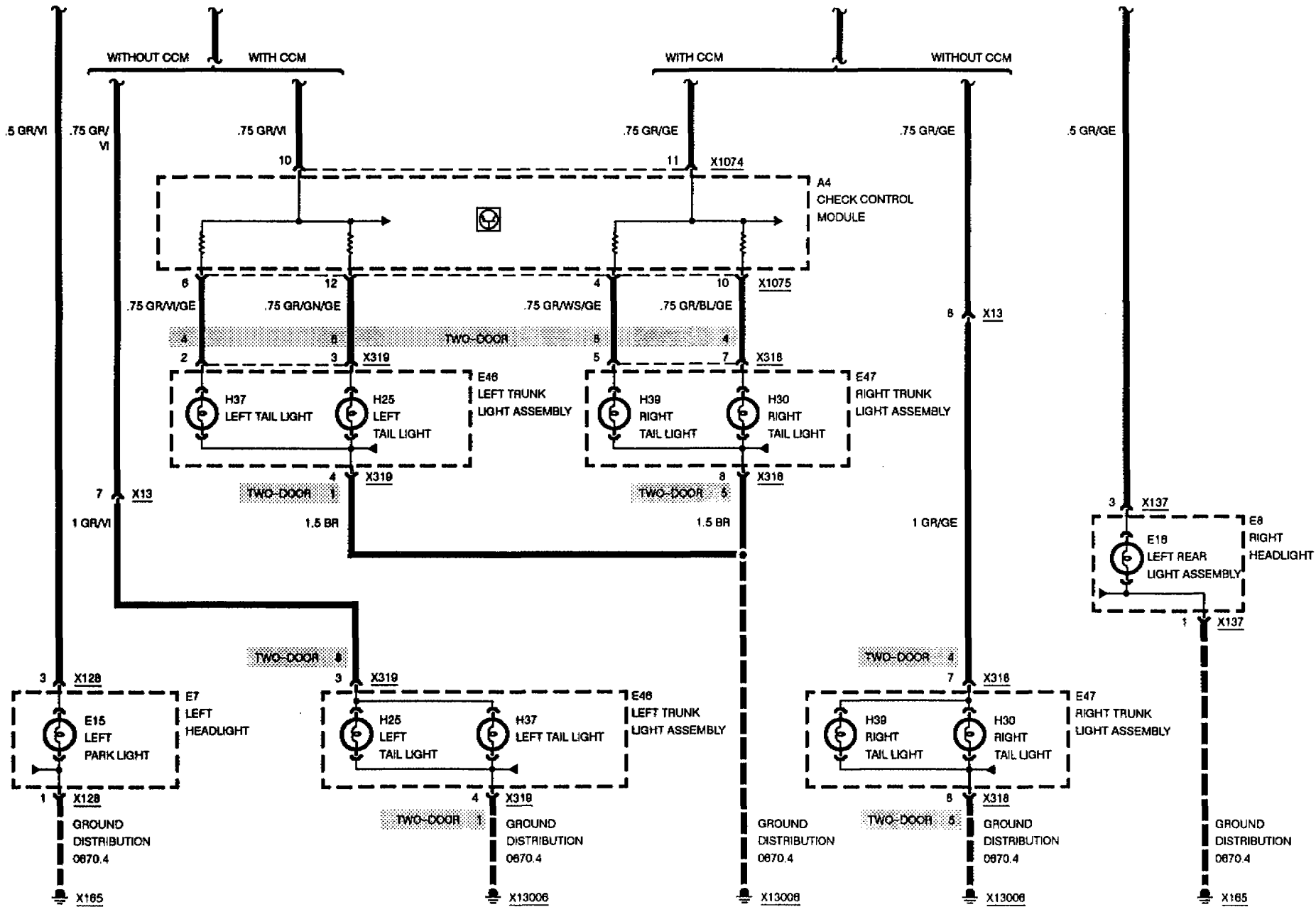
TURN/HAZARD LIGHTS



BMW
3

6314.0







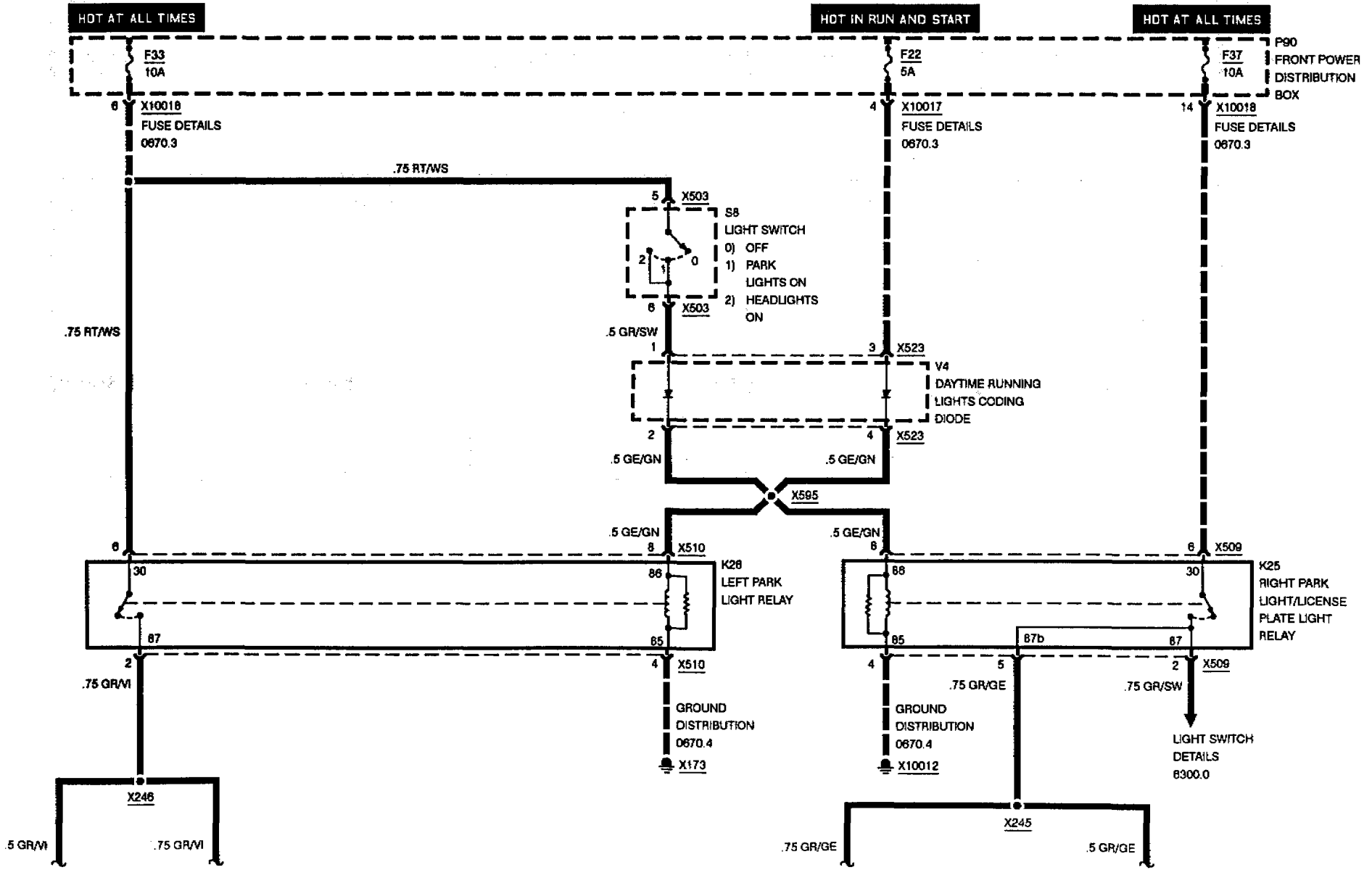
PARK/TAIL LIGHTS

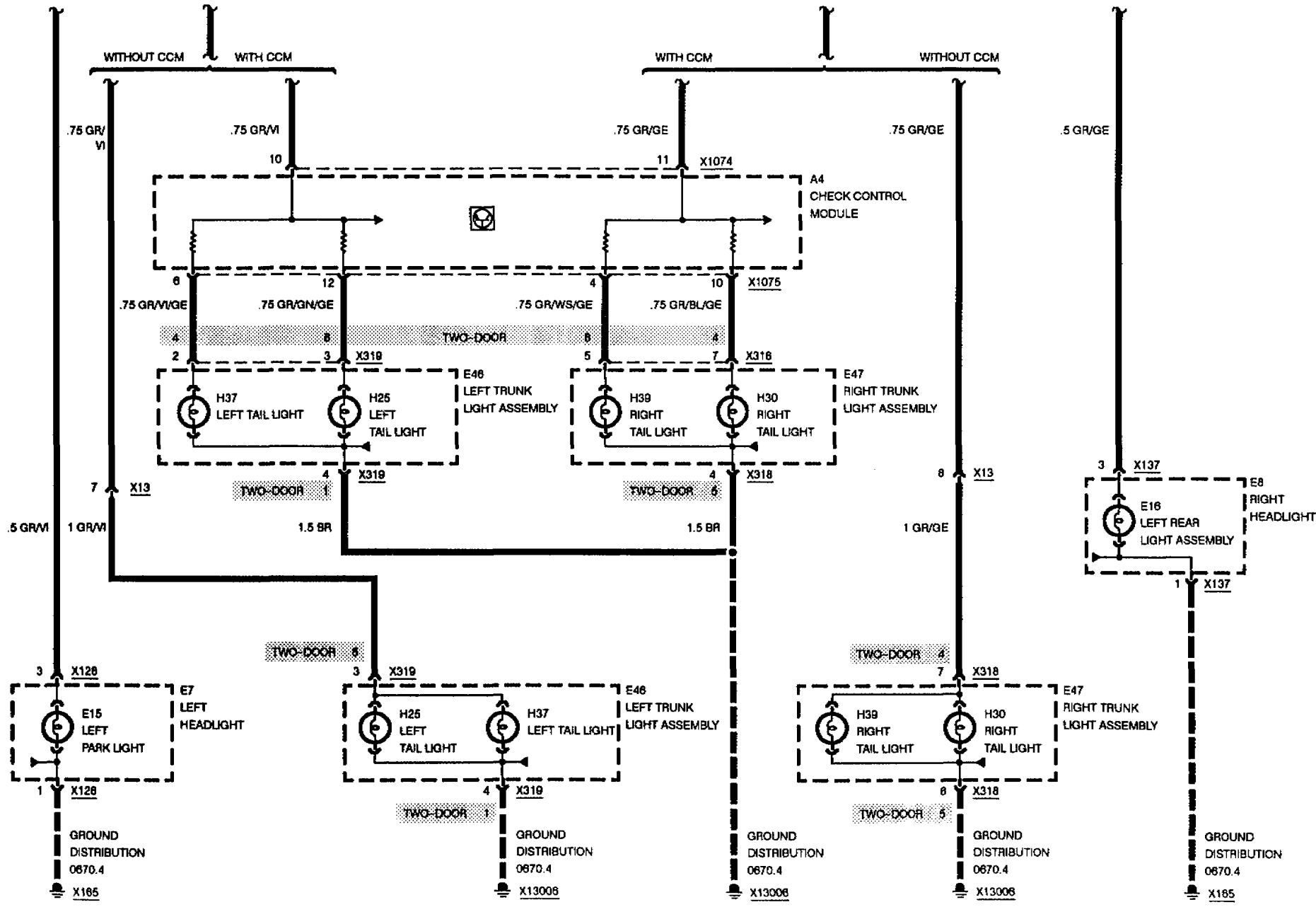


11/92

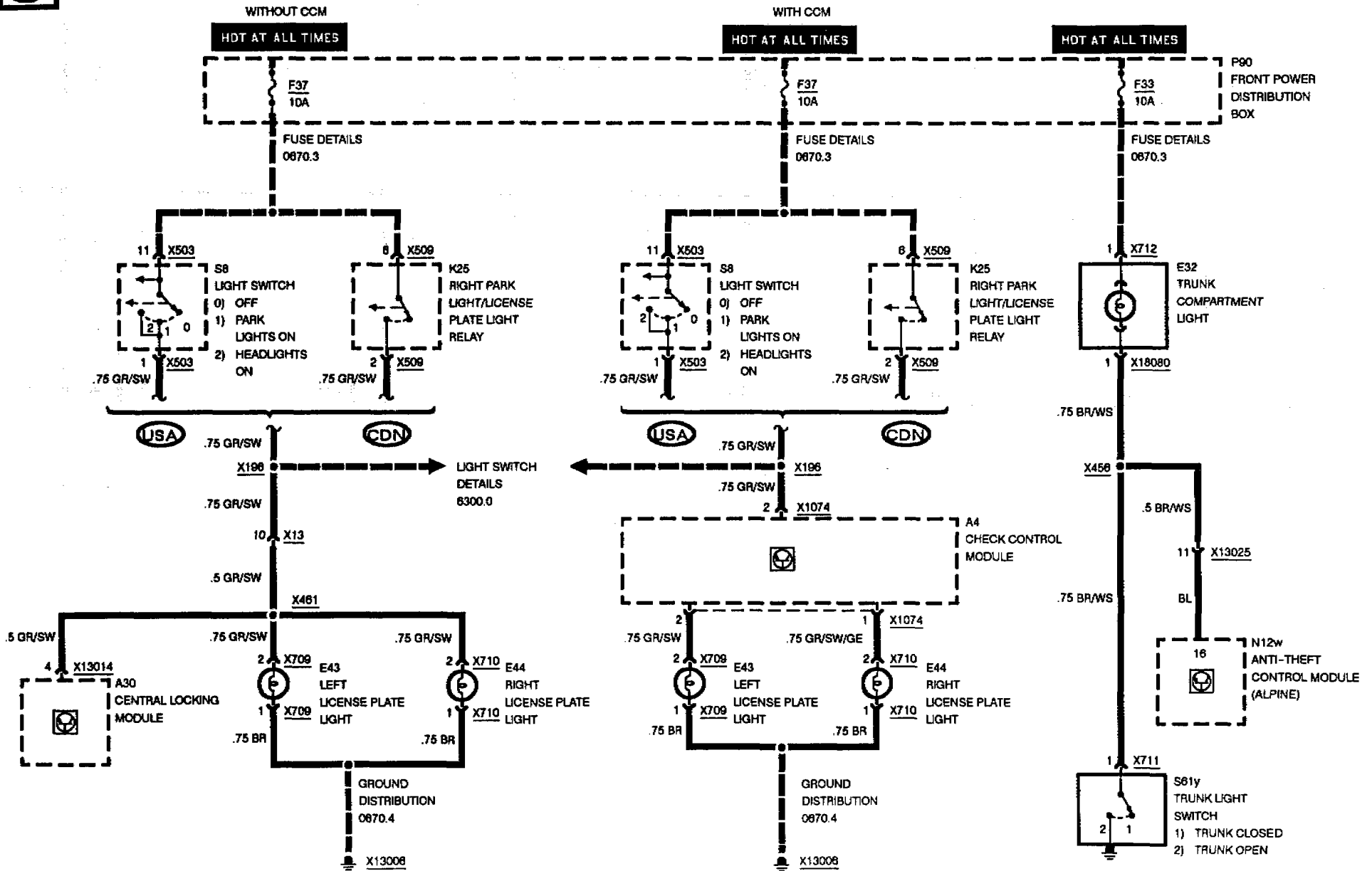
6314.0-02

1992

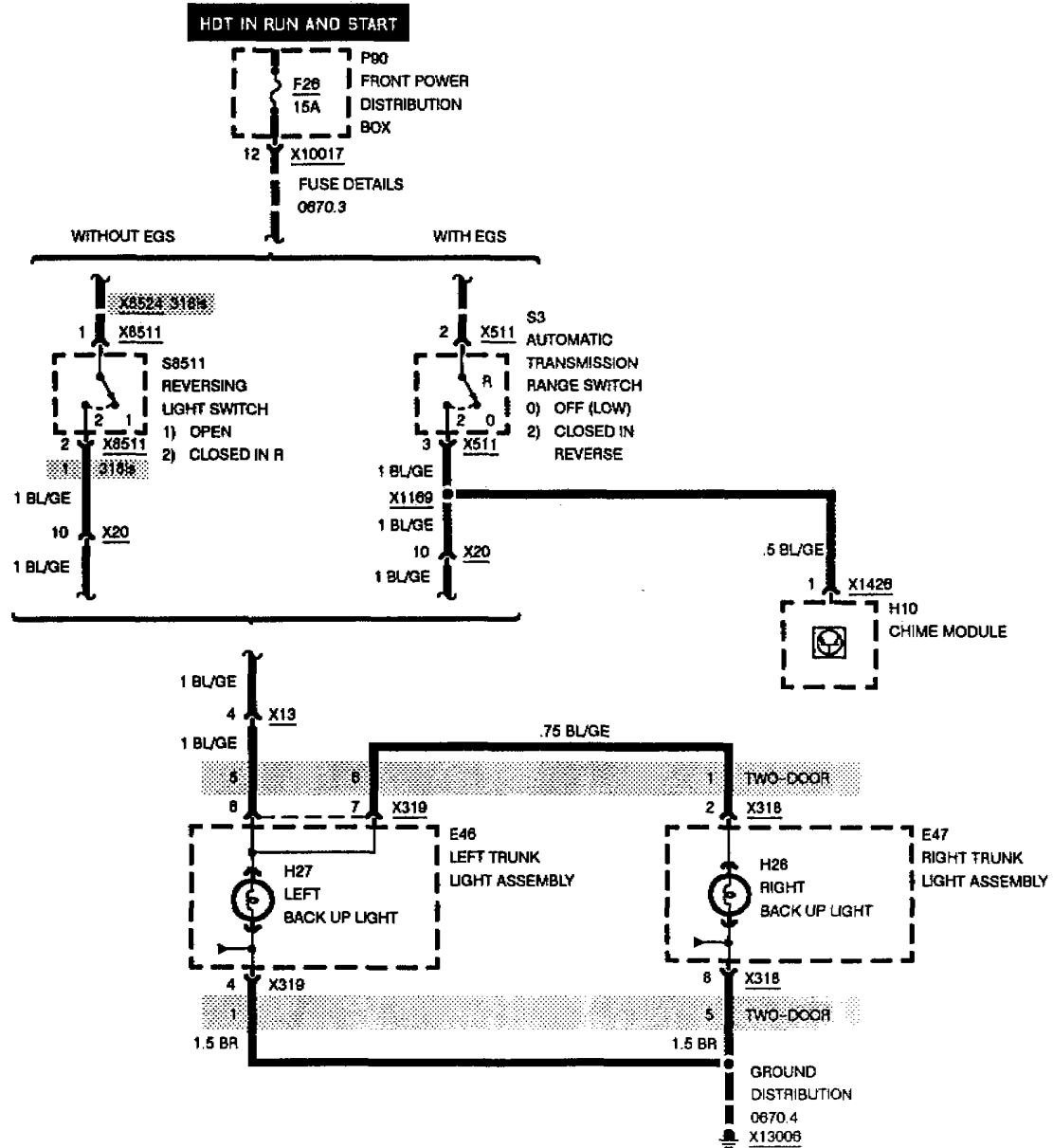




LICENSE PLATE/ LUGGAGE COMPARTMENT LIGHTS







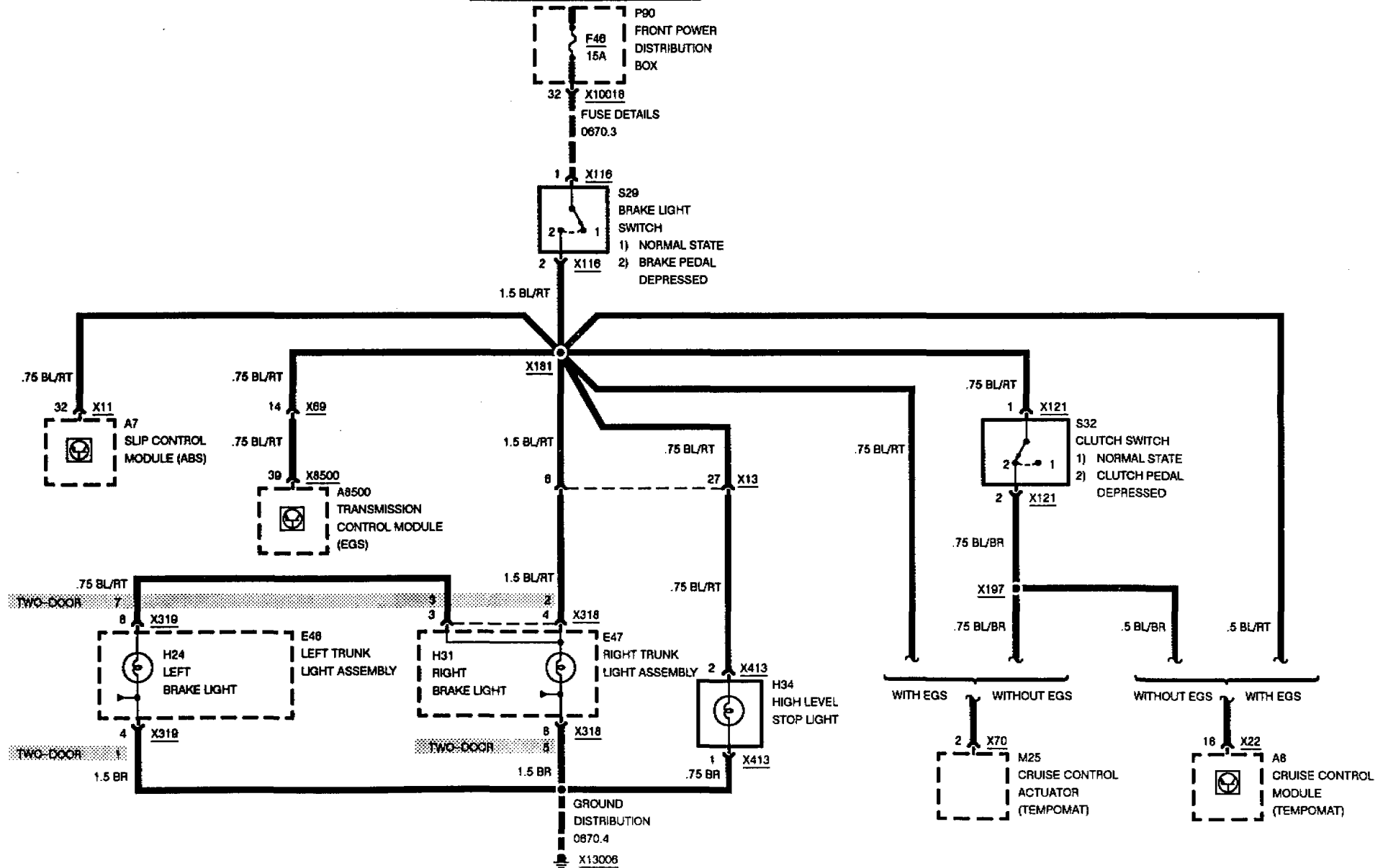
BMW
3

6325.0



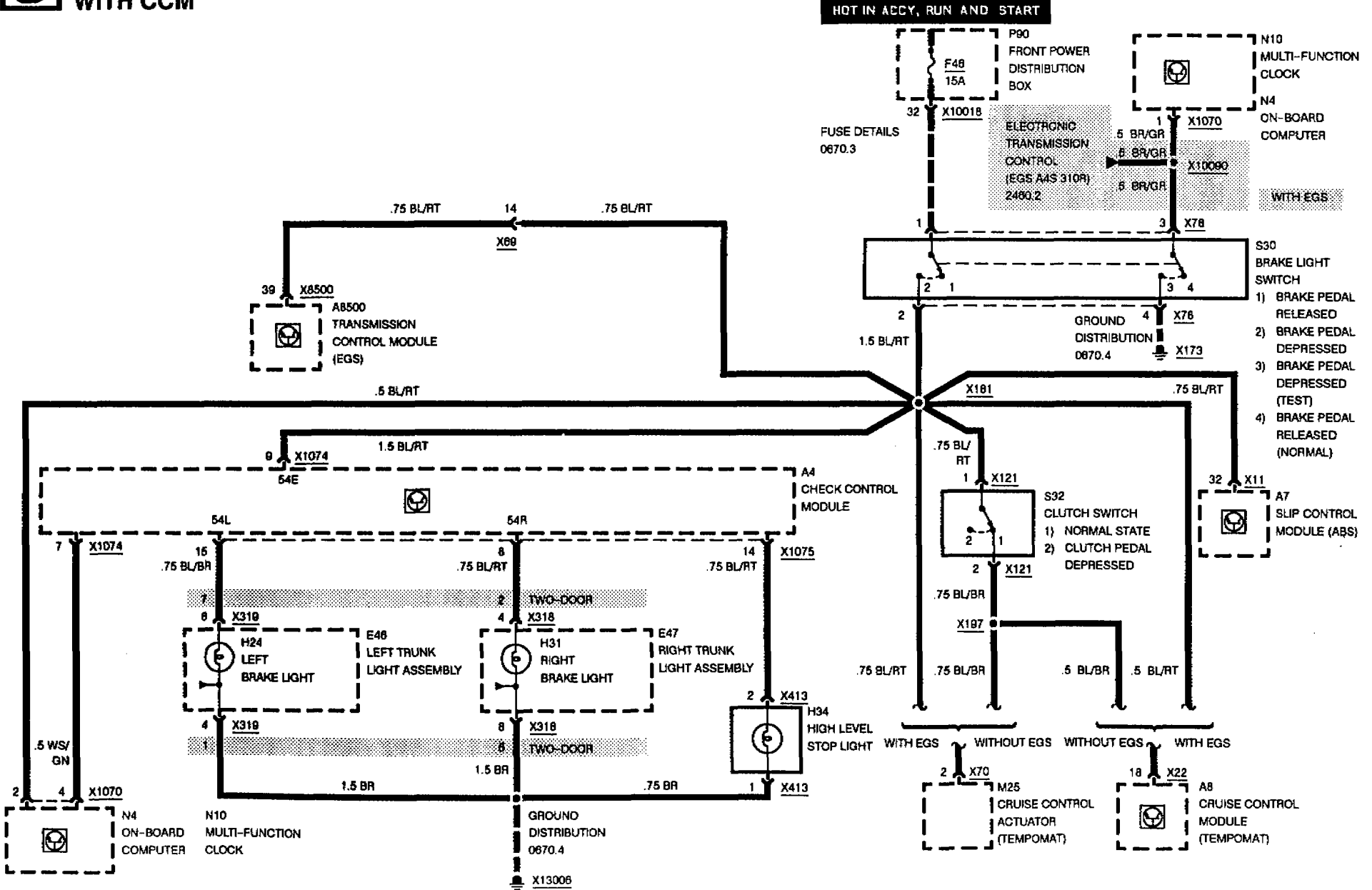
BRAKE LIGHTS WITHOUT CCM

HOT IN ACCY, RUN AND START

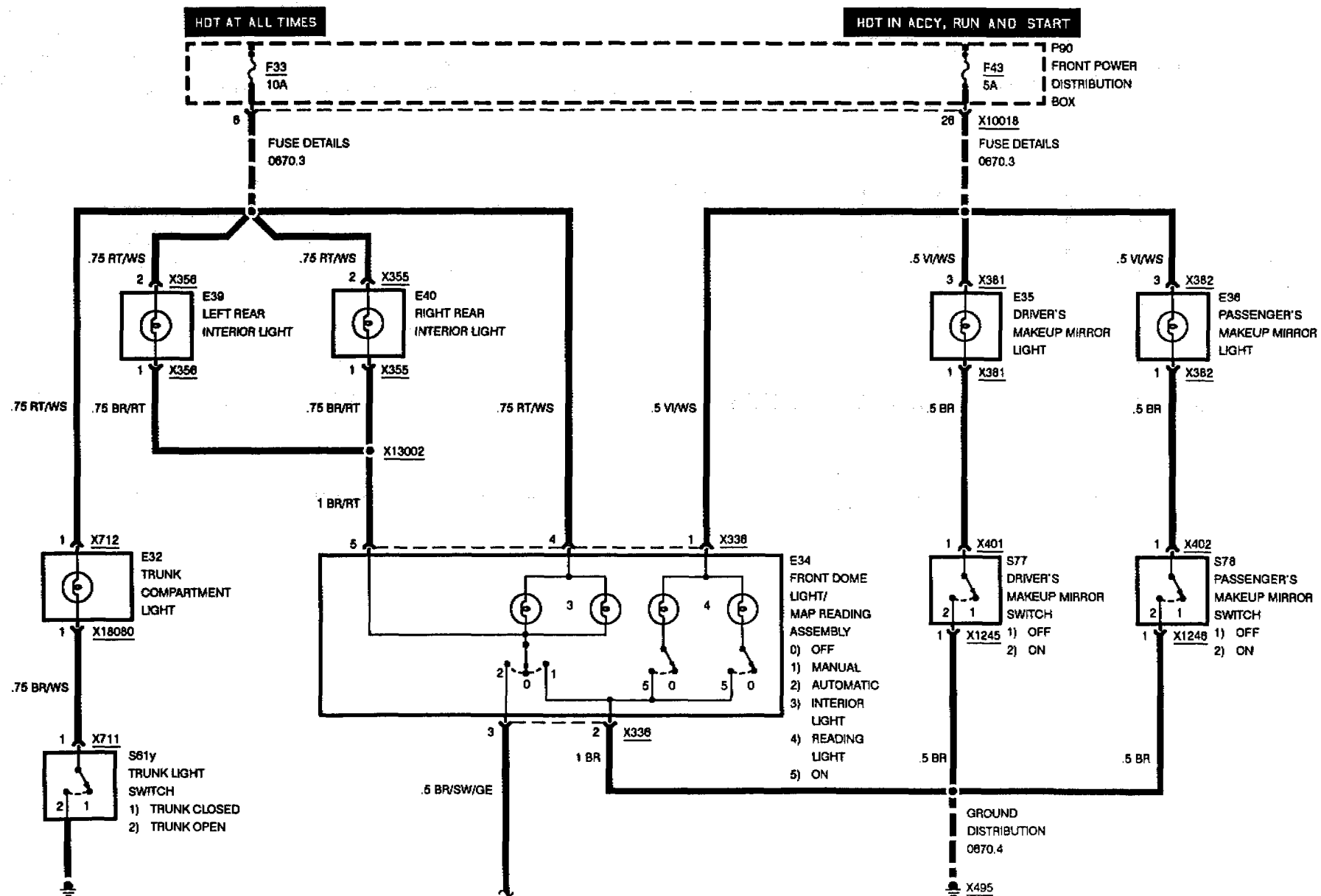


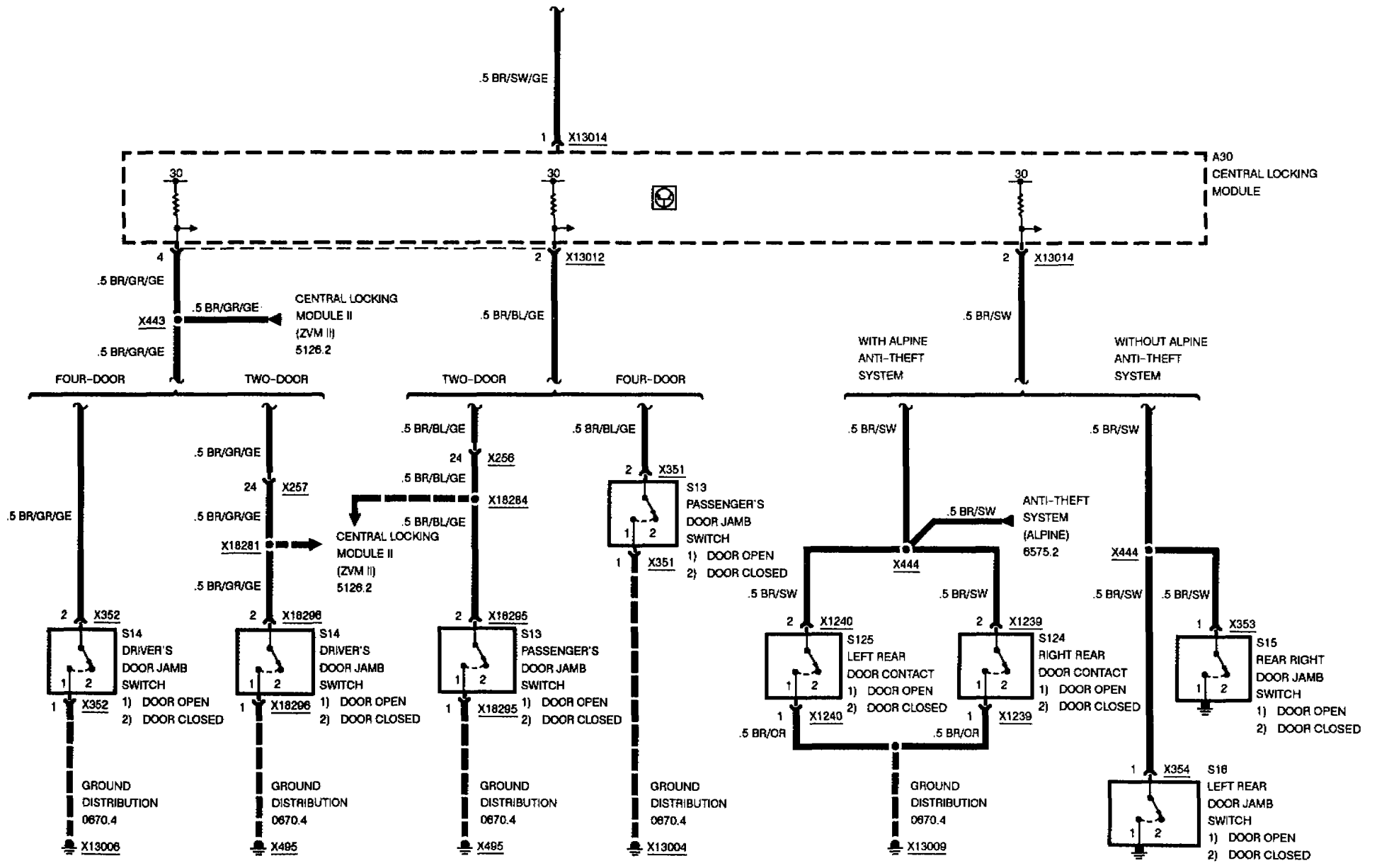


BRAKE LIGHTS WITH CCM



INTERIOR LIGHTS

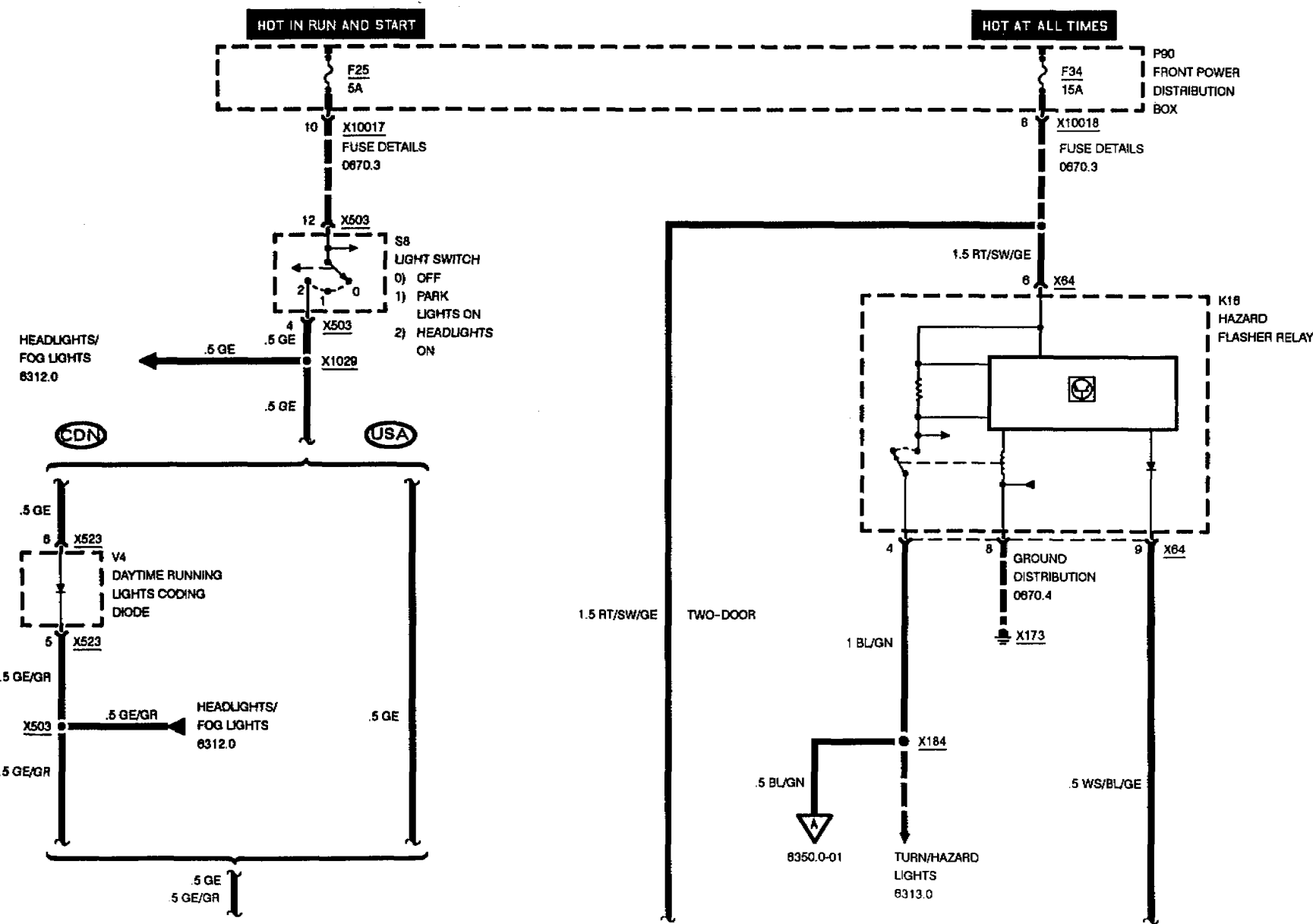


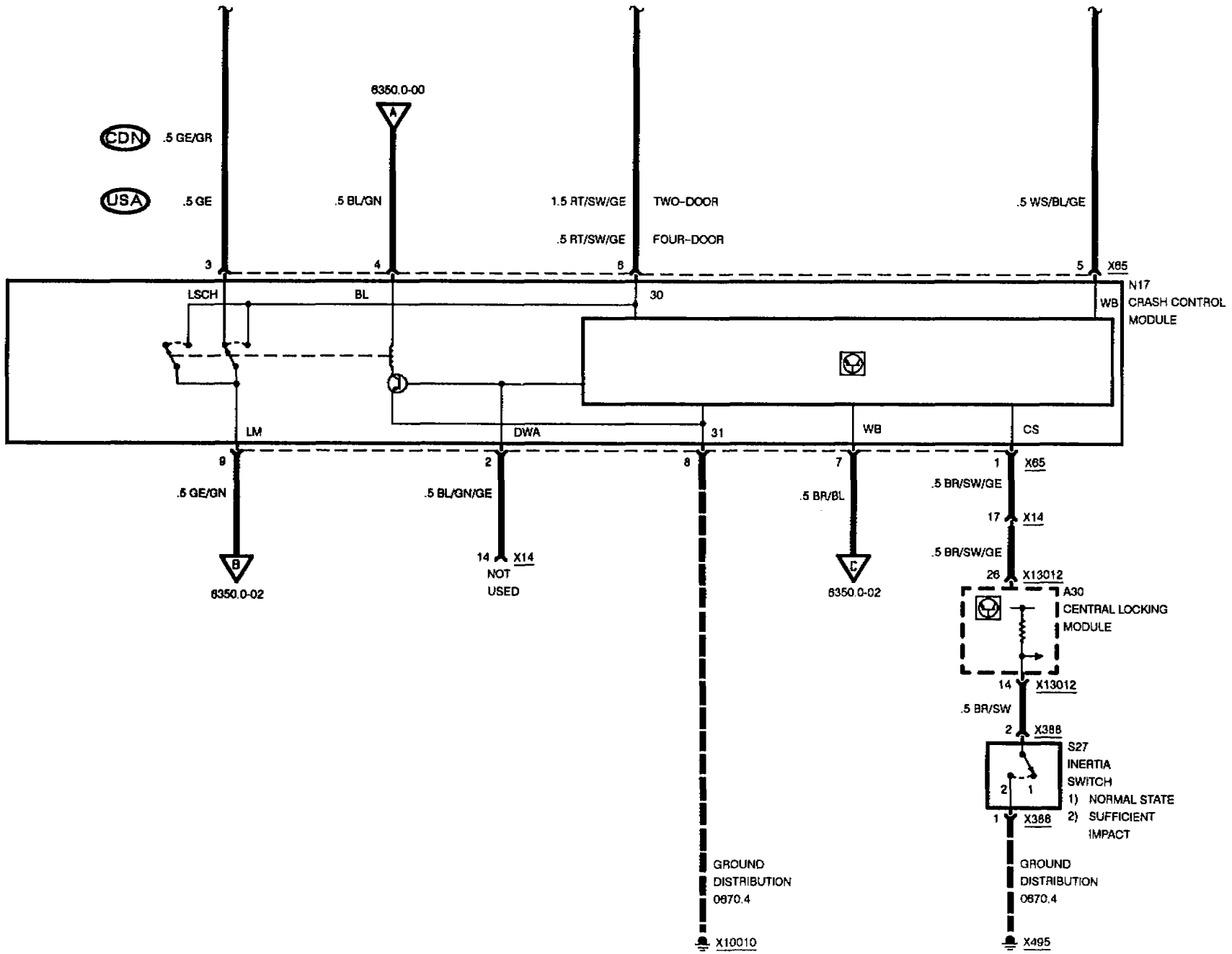


BMW
3

6350.0

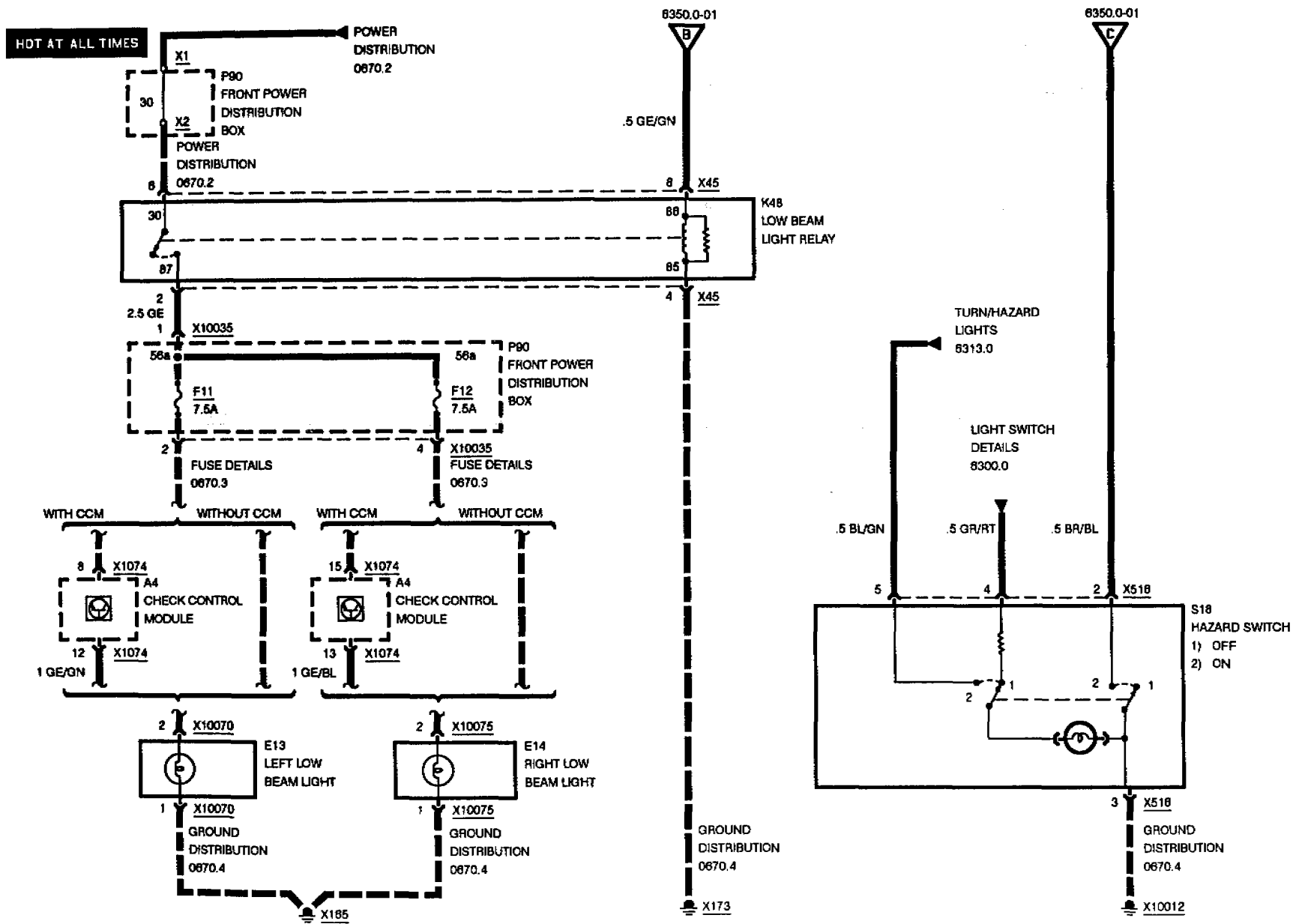
CRASH CONTROL MODULE







CRASH CONTROL MODULE

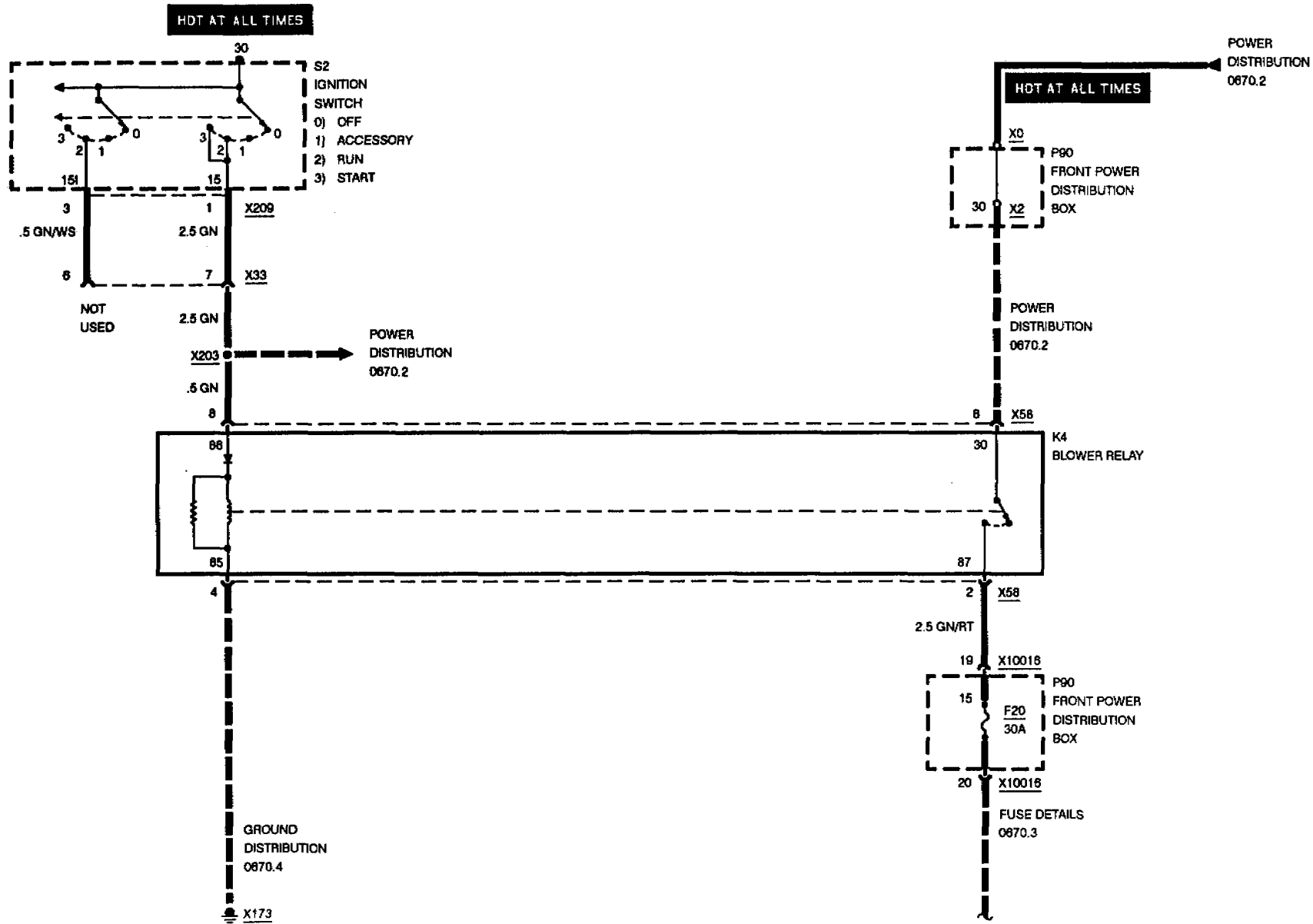


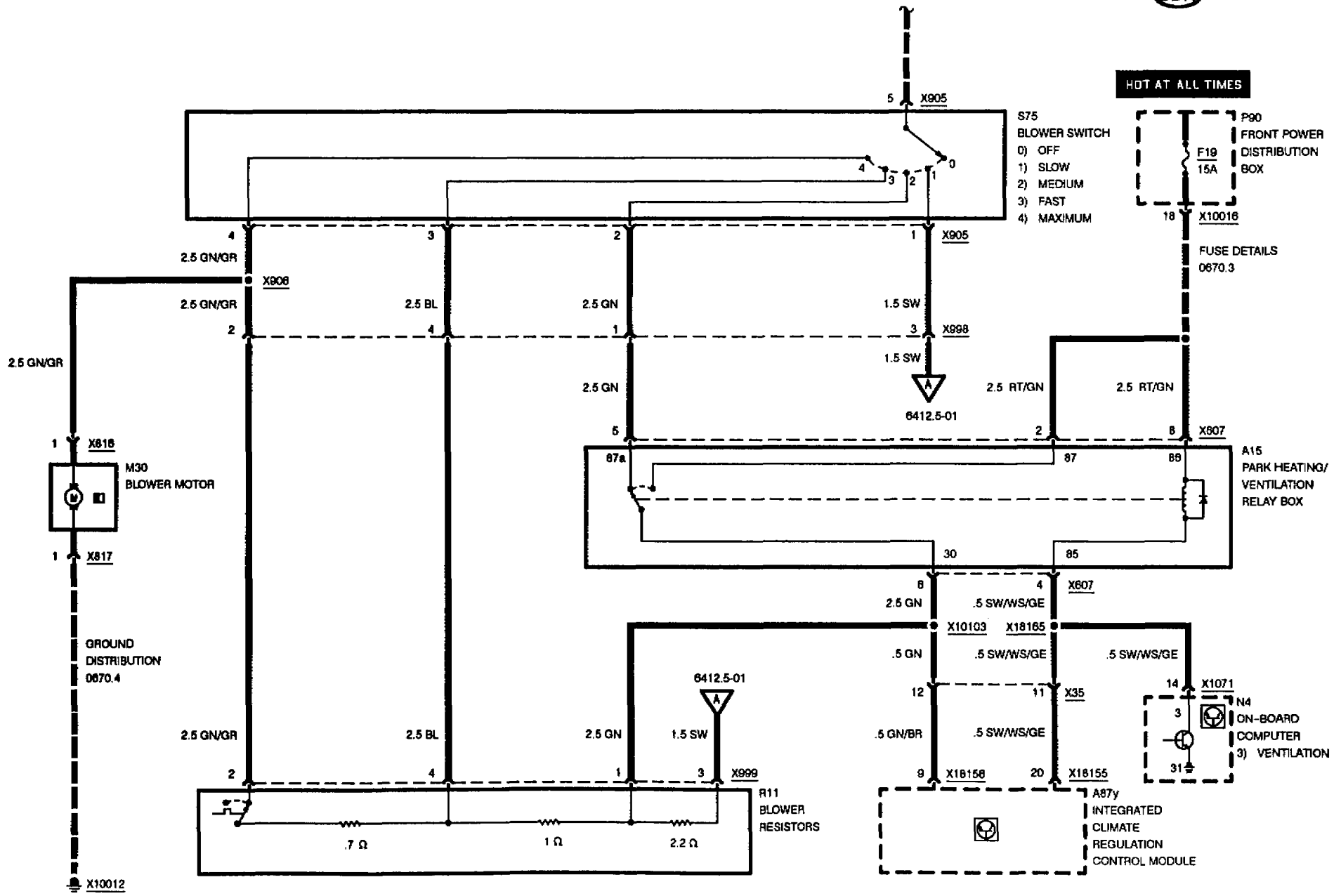
11/92

6350.0-02

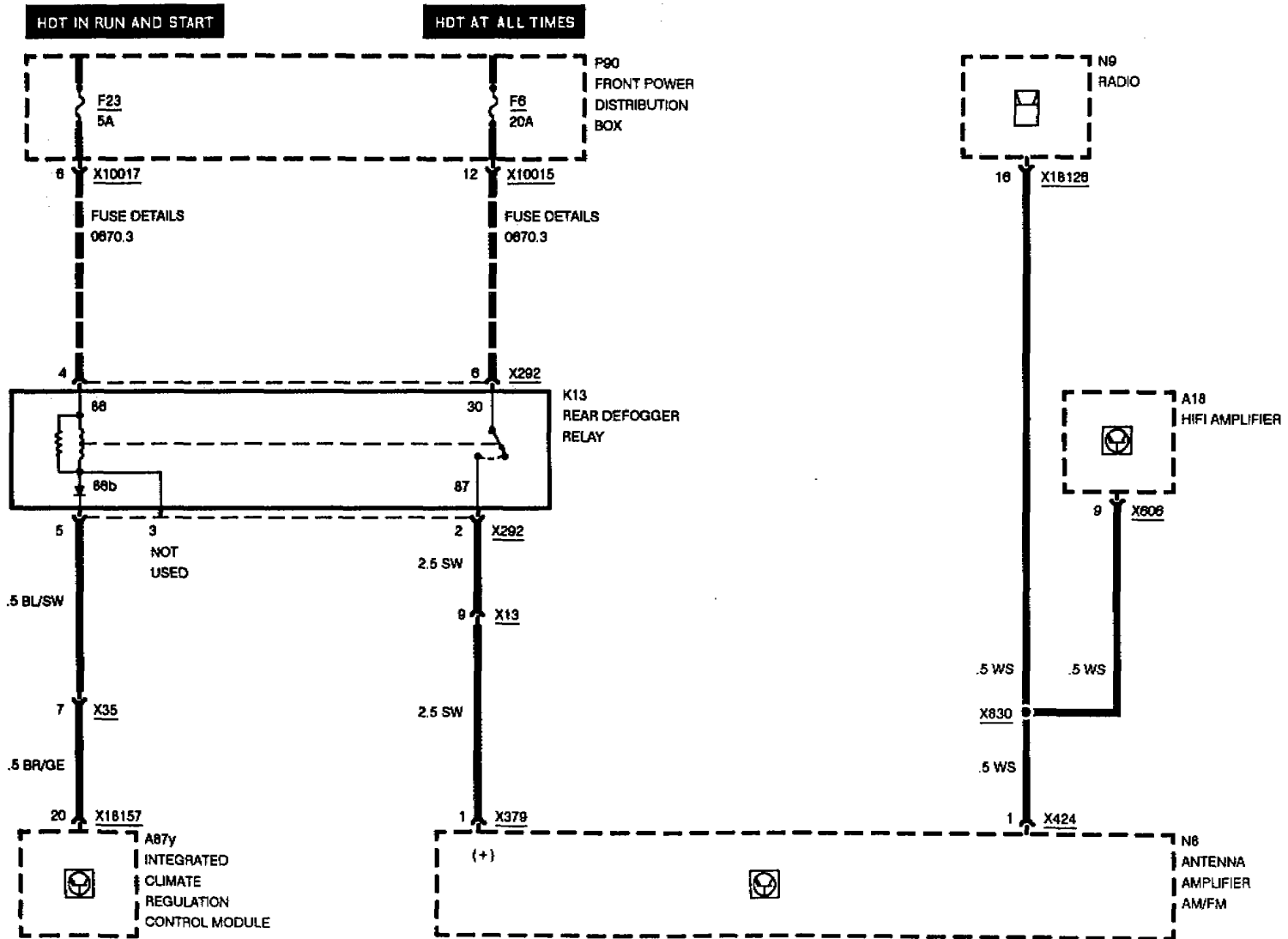
1992





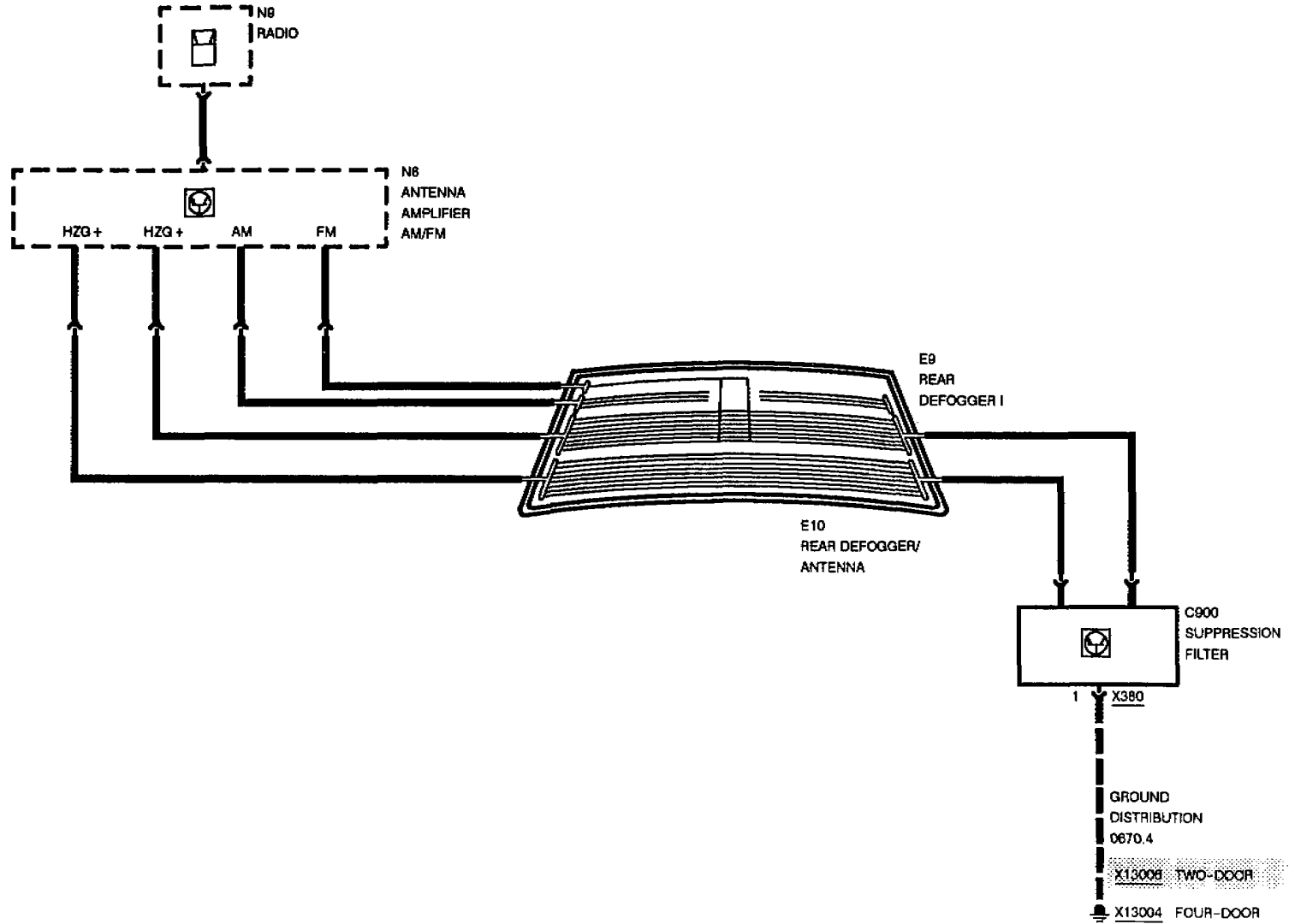


REAR WINDOW DEFOGGER



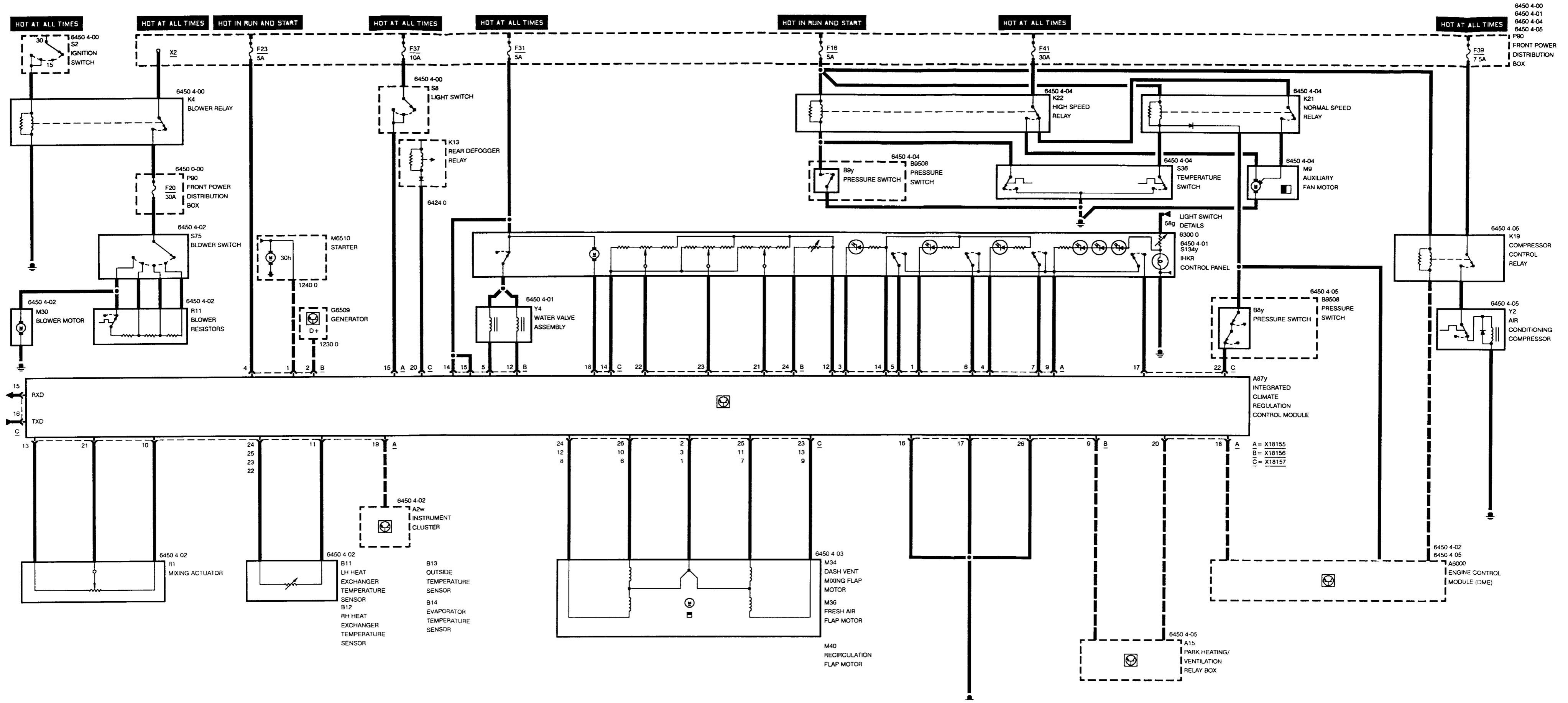


REAR WINDOW DEFOGGER REAR WINDOW ANTENNA



BMW
3

6424.0-02



6450 4-00
 6450 4-01
 6450 4-04
 6450 4-05
 F90
 FRONT POWER
 DISTRIBUTION
 BOX

6450 4-05
 K19
 COMPRESSOR
 CONTROL
 RELAY

6450 4-05
 Y2
 AIR
 CONDITIONING
 COMPRESSOR

A87y
 INTEGRATED
 CLIMATE
 REGULATION
 CONTROL MODULE

6450 4-05
 A15
 PARK HEATING/
 VENTILATION
 RELAY BOX

6450 4 03
 M34
 DASH VENT
 MIXING FLAP
 MOTOR
 M36
 FRESH AIR
 FLAP MOTOR
 M40
 RECIRCULATION
 FLAP MOTOR

B13
 OUTSIDE
 TEMPERATURE
 SENSOR
 B14
 EVAPORATOR
 TEMPERATURE
 SENSOR

6450 4 02
 B11
 LH HEAT
 EXCHANGER
 TEMPERATURE
 SENSOR
 B12
 RH HEAT
 EXCHANGER
 TEMPERATURE
 SENSOR

6450 4-02
 A2w
 INSTRUMENT
 CLUSTER

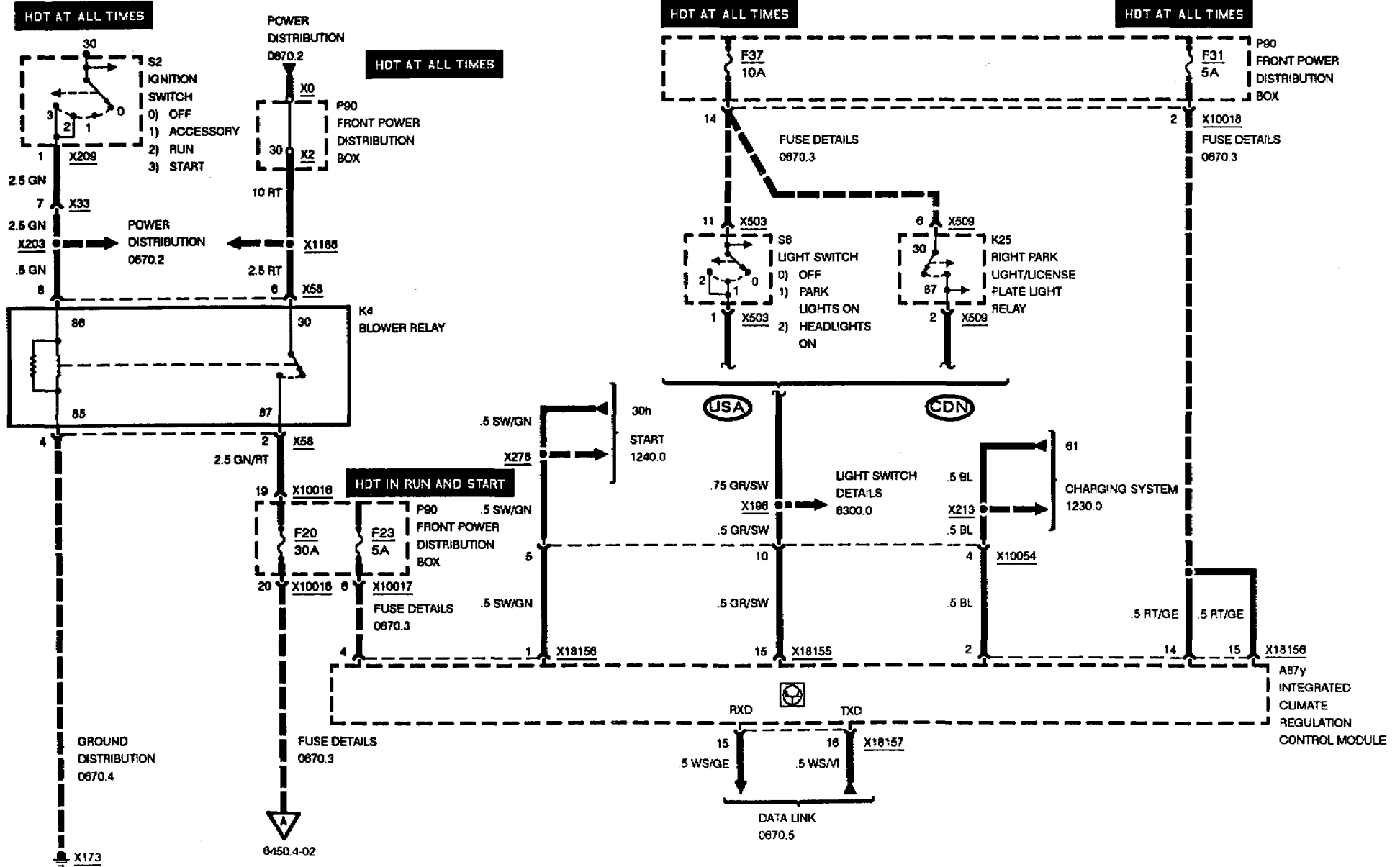
6450 4 02
 R1
 MIXING ACTUATOR

15
 RXD
 16
 TXD
 C



INTEGRATED CLIMATE REGULATION (IHKR E36)

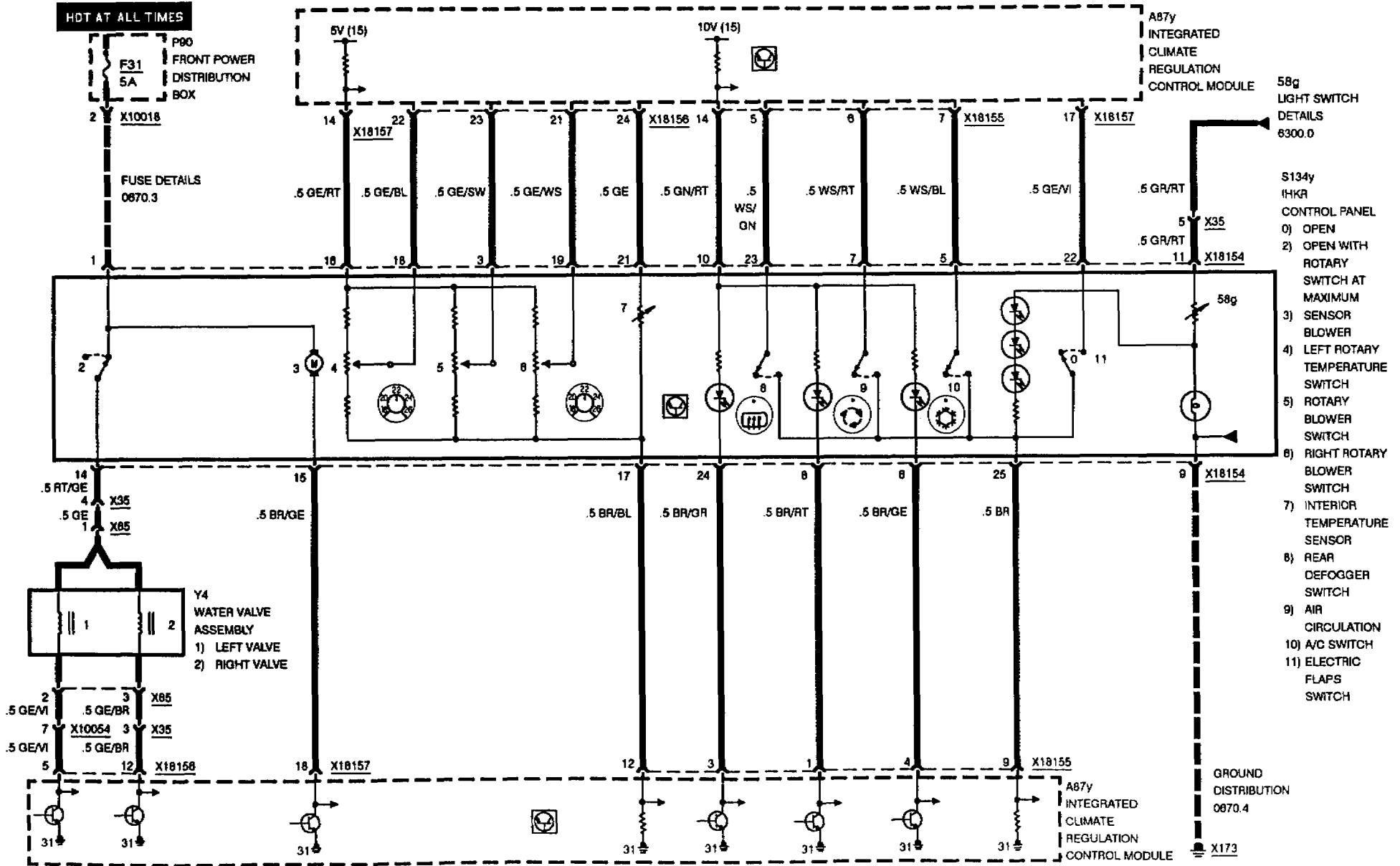
POWER





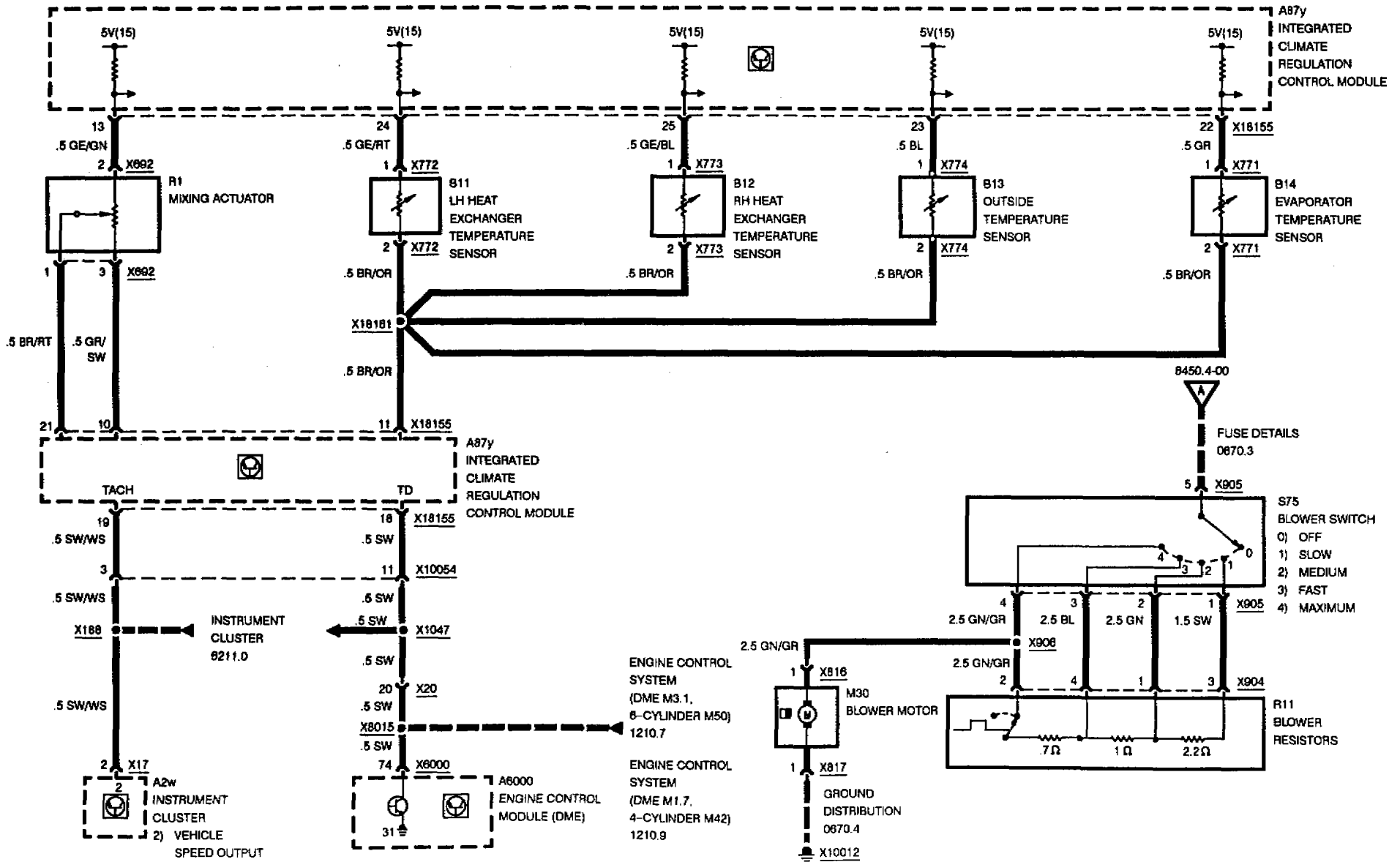
INTEGRATED CLIMATE REGULATION (IHKR E36)

CONTROL MODULE, WATER VALVES





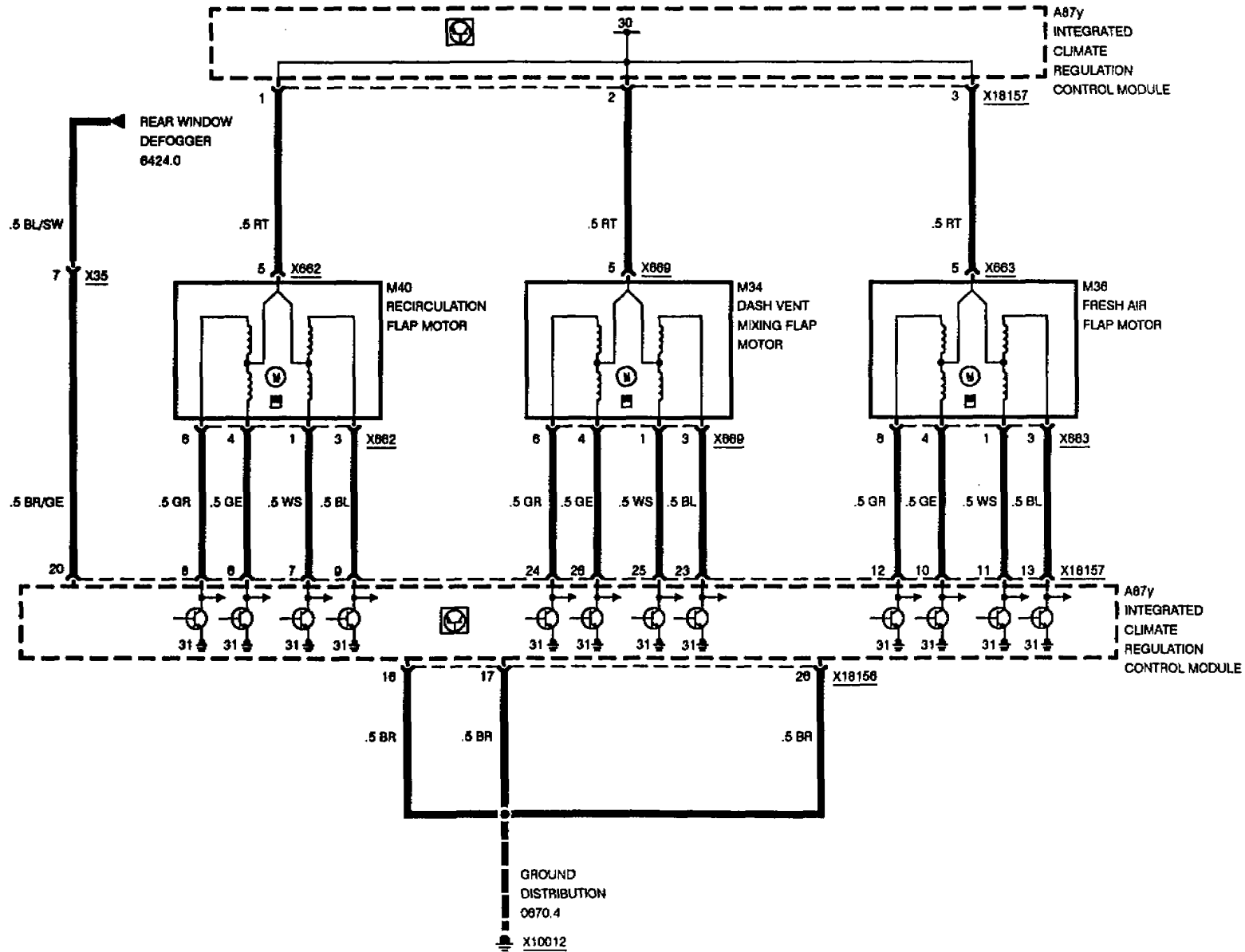
INTEGRATED CLIMATE REGULATION (IHKR E36) TEMPERATURE CONTROL





INTEGRATED CLIMATE REGULATION (IHKR E36)

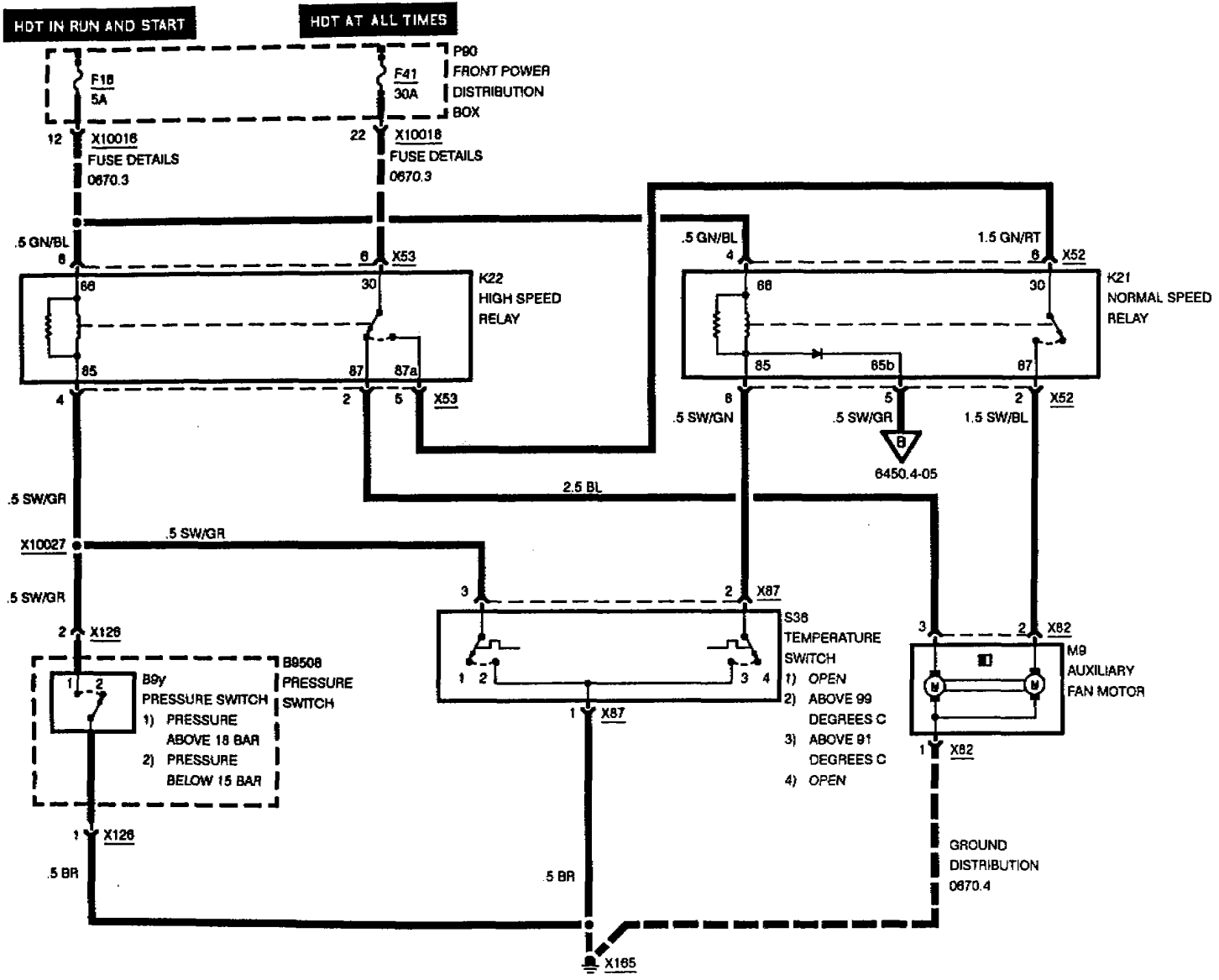
AIR DELIVERY





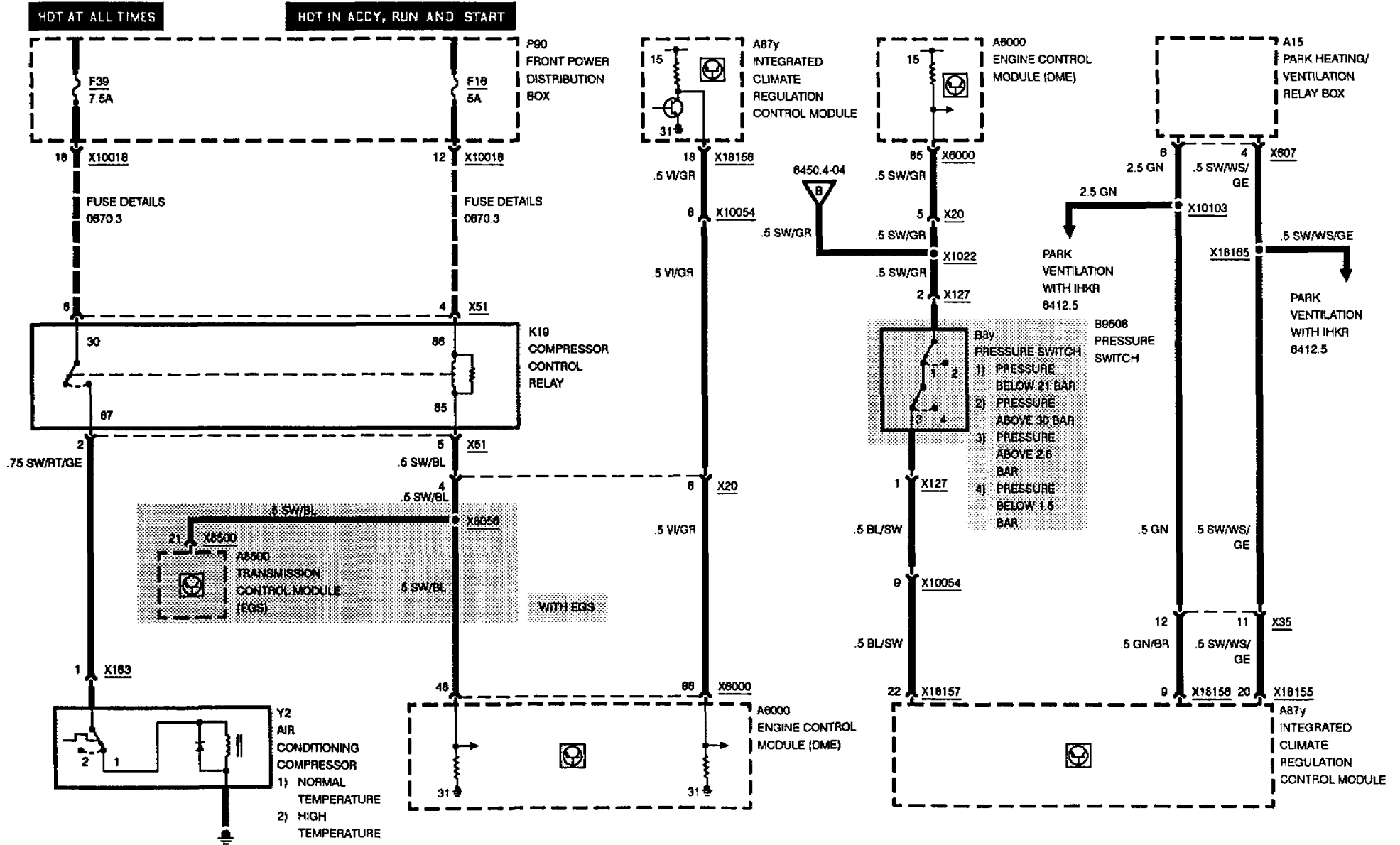
INTEGRATED CLIMATE REGULATION (IHKR E36)

AUXILIARY FAN





INTEGRATED CLIMATE REGULATION (IHKR E36)



11/92

6450.4-05

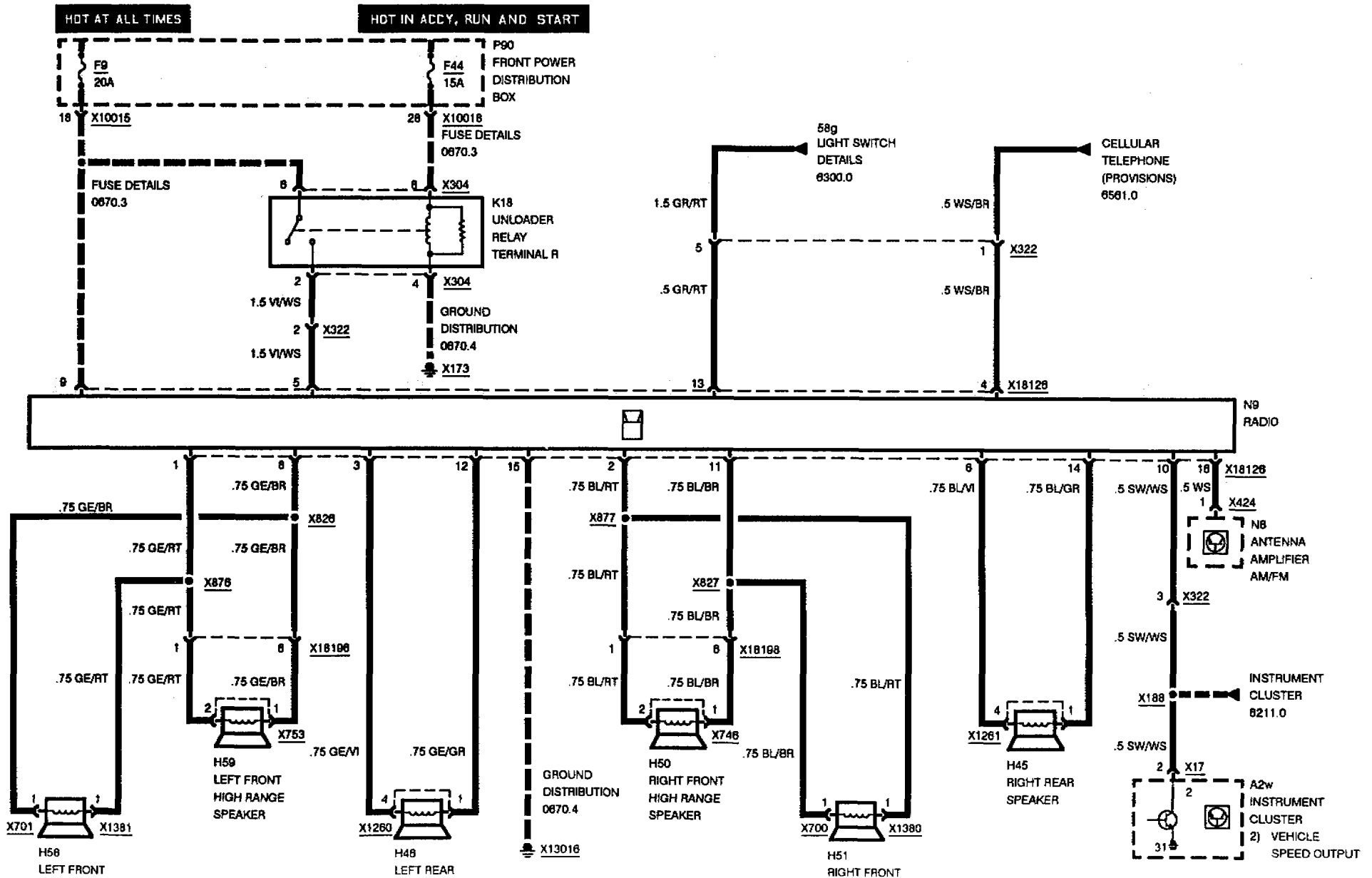
1992



RADIO/STEREO

STEREO, 6-SPEAKER SYSTEM

318is



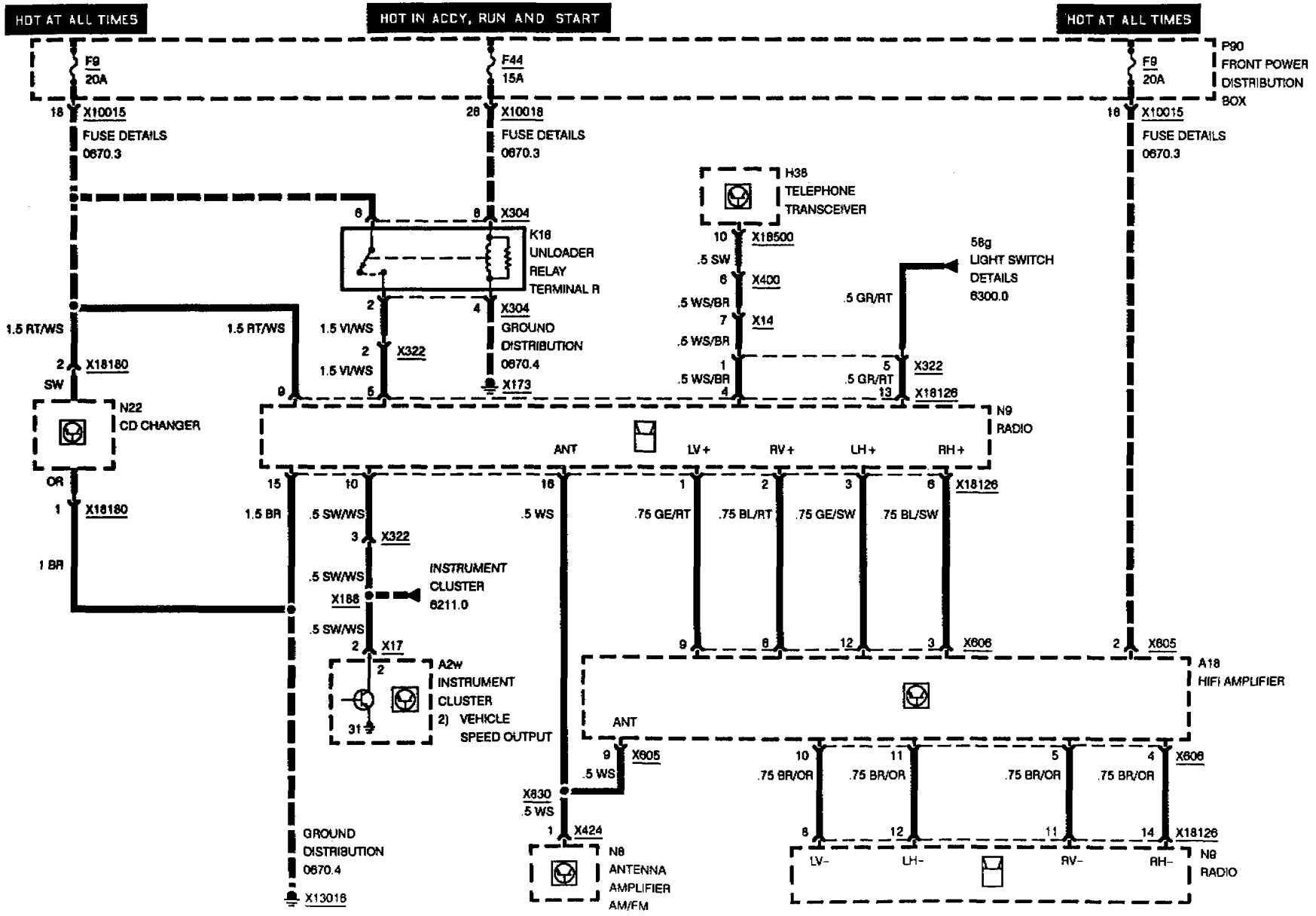
BMW
3

6510.0-01



RADIO/HIFI

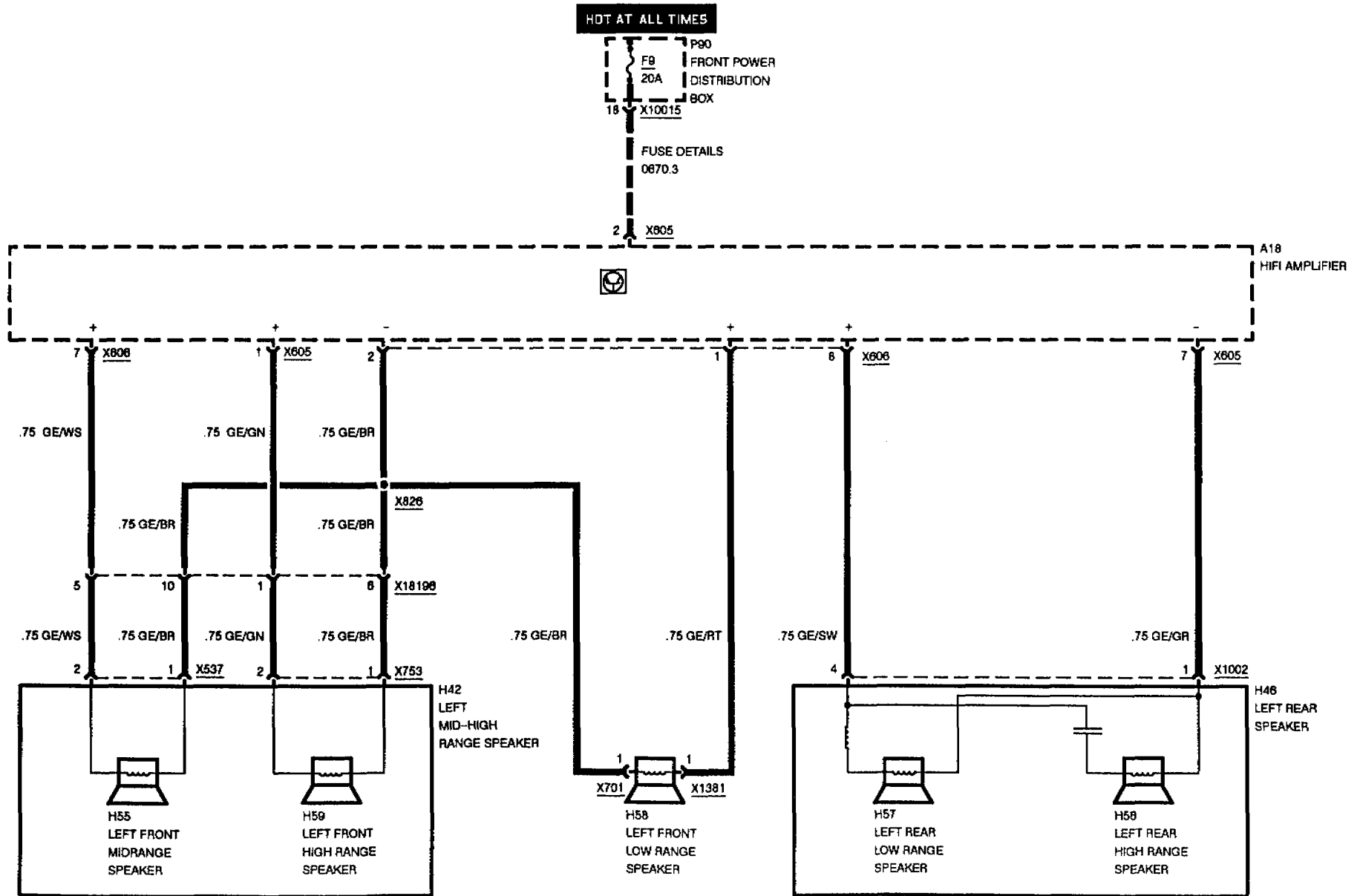
HIFI, 10-SPEAKER SYSTEM





RADIO/HIFI

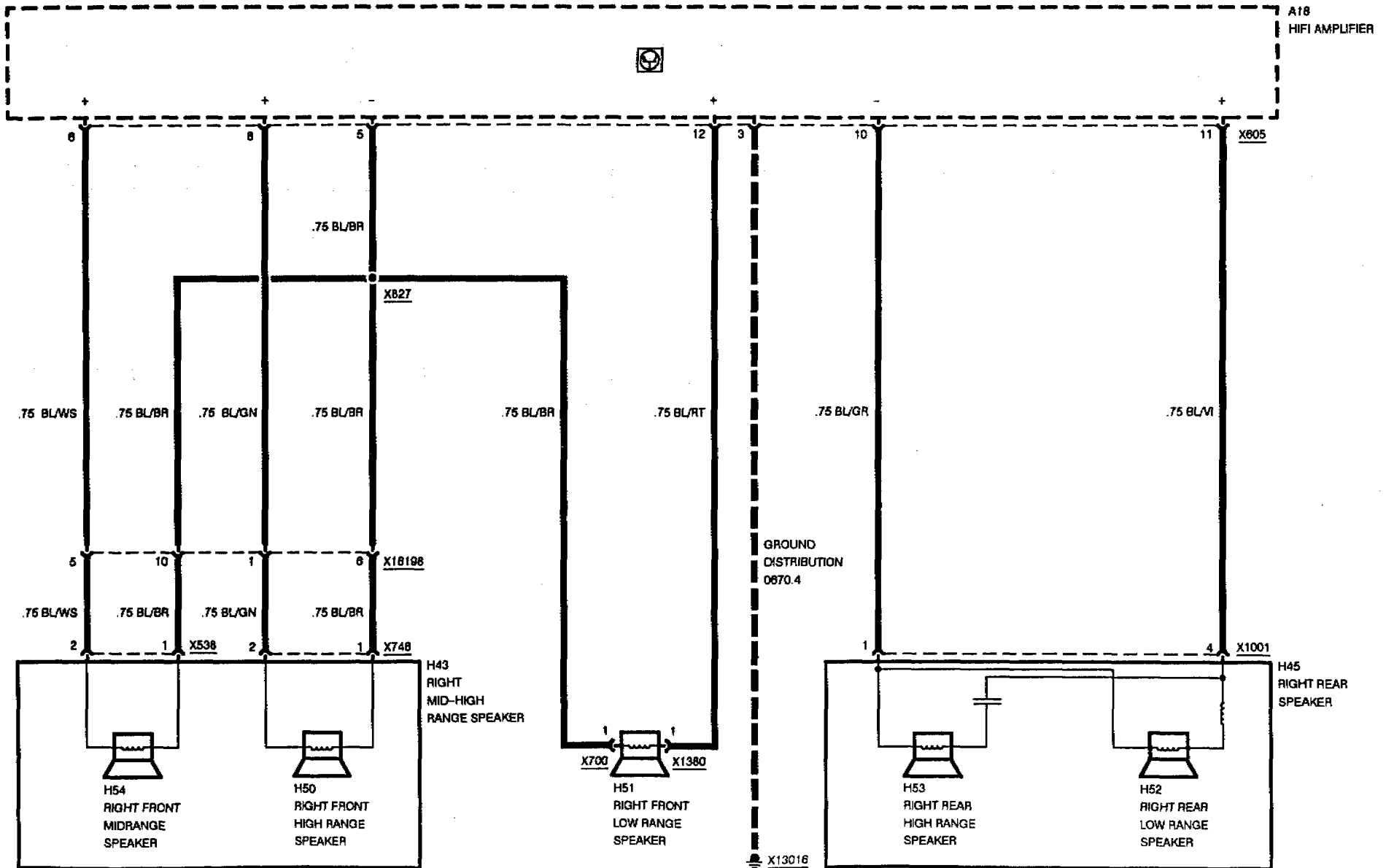
HIFI, 10-SPEAKER SYSTEM





RADIO/HIFI

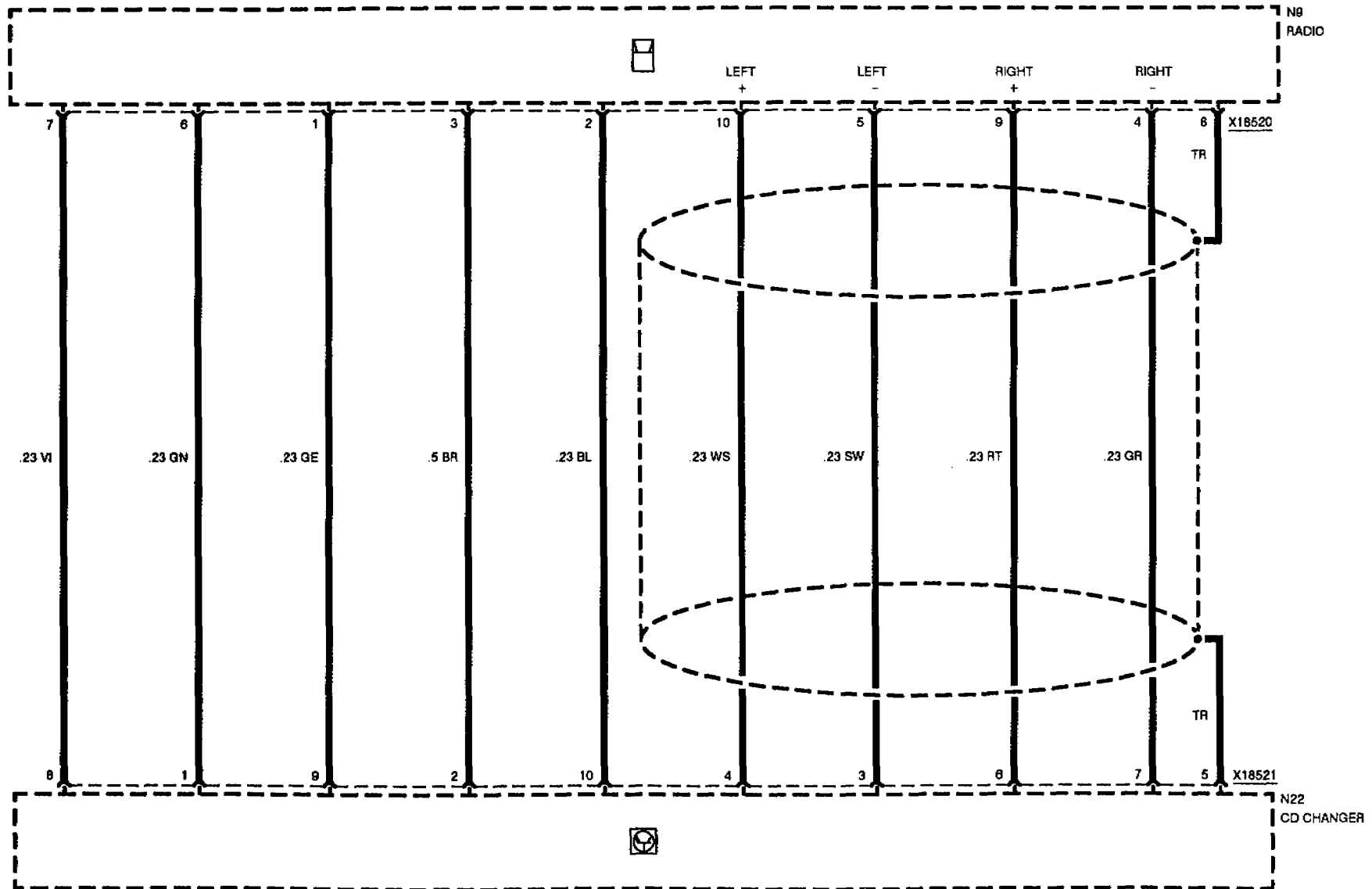
HIFI, 10-SPEAKER SYSTEM



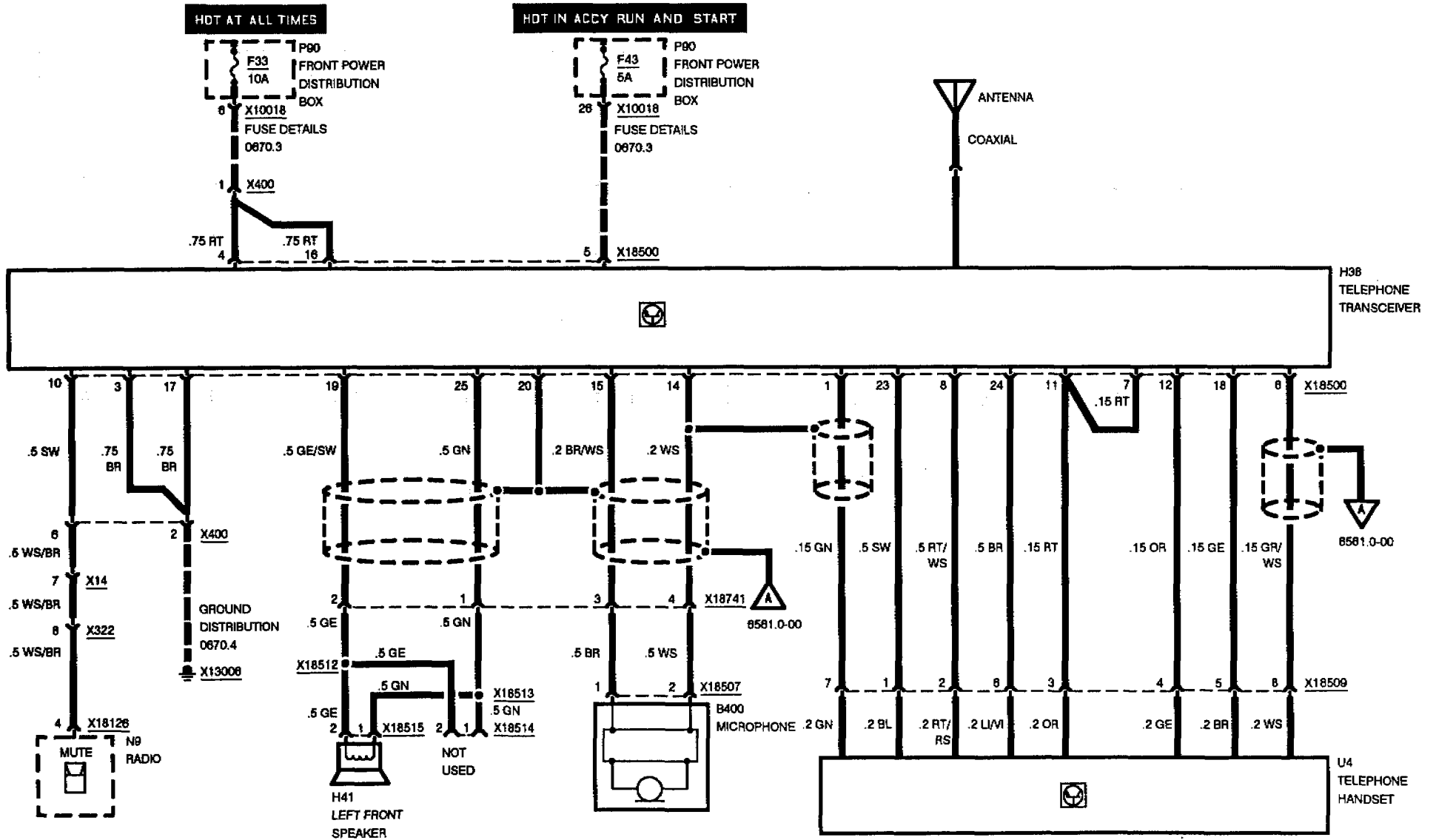


RADIO/HIFI

HIFI WITH CD, 10-SPEAKER SYSTEM



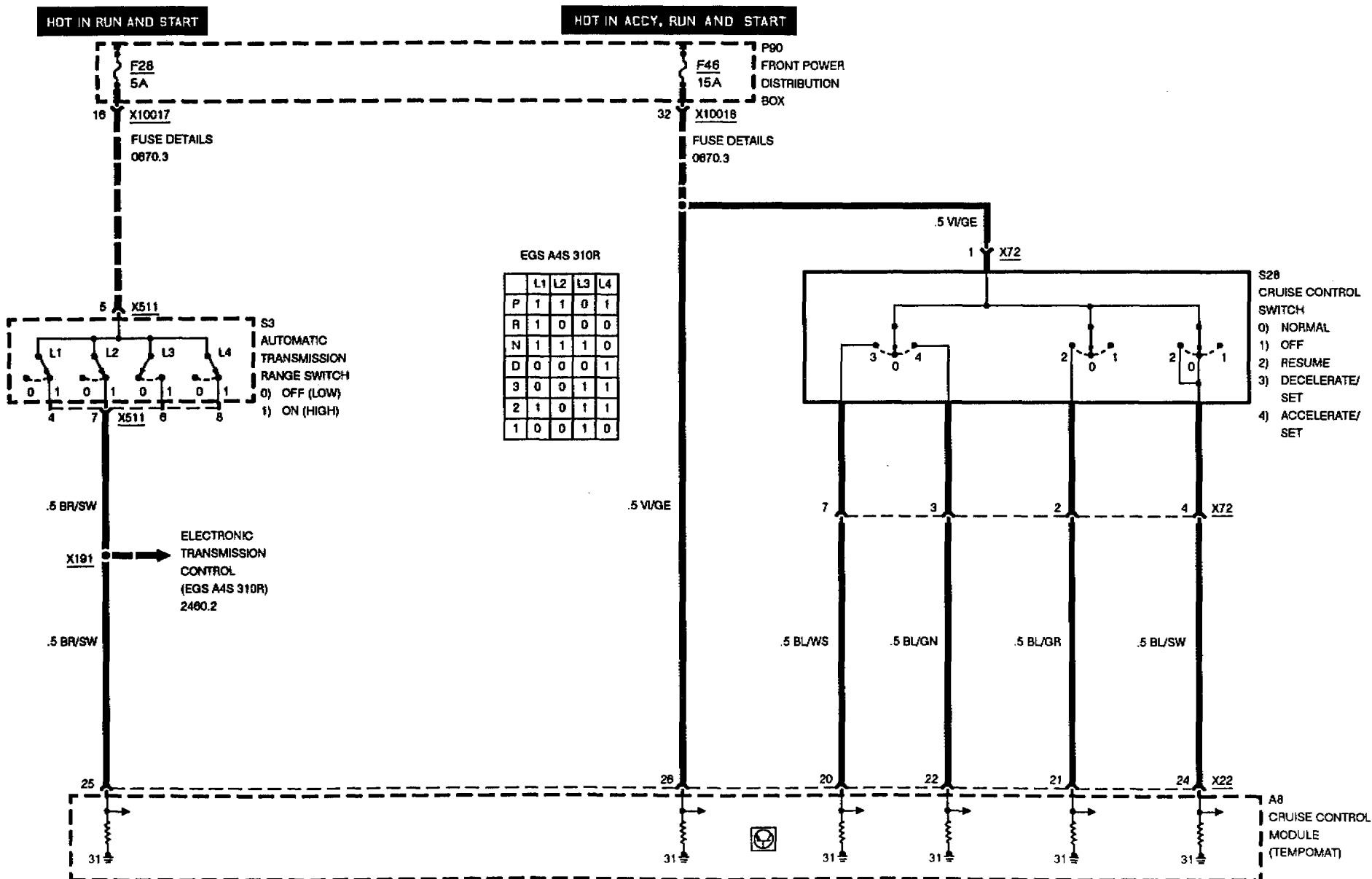
CELLULAR TELEPHONE (PROVISIONS) AMPS SYSTEM



BMW
3

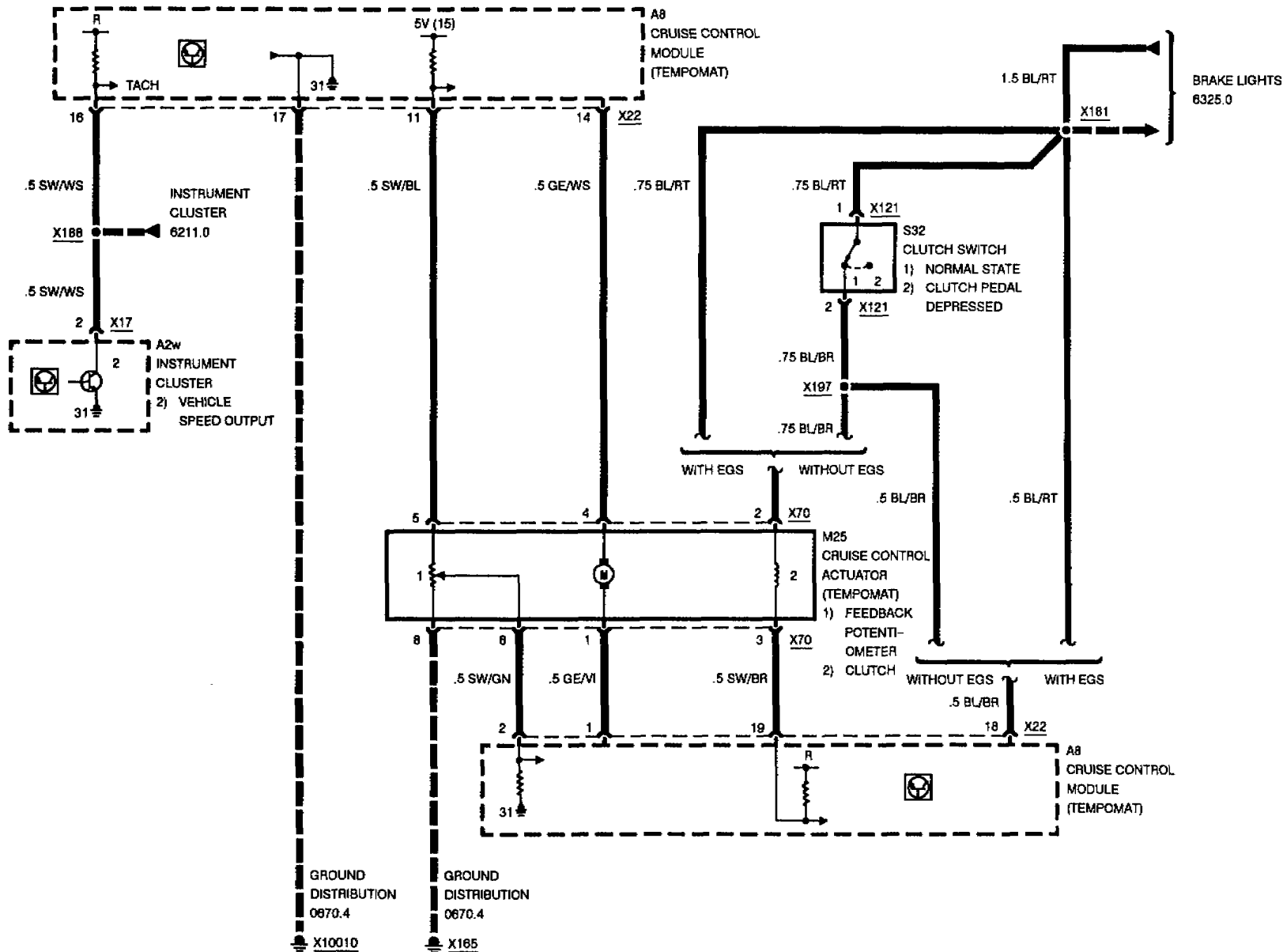
6571.0

CRUISE CONTROL (TEMPOMAT)

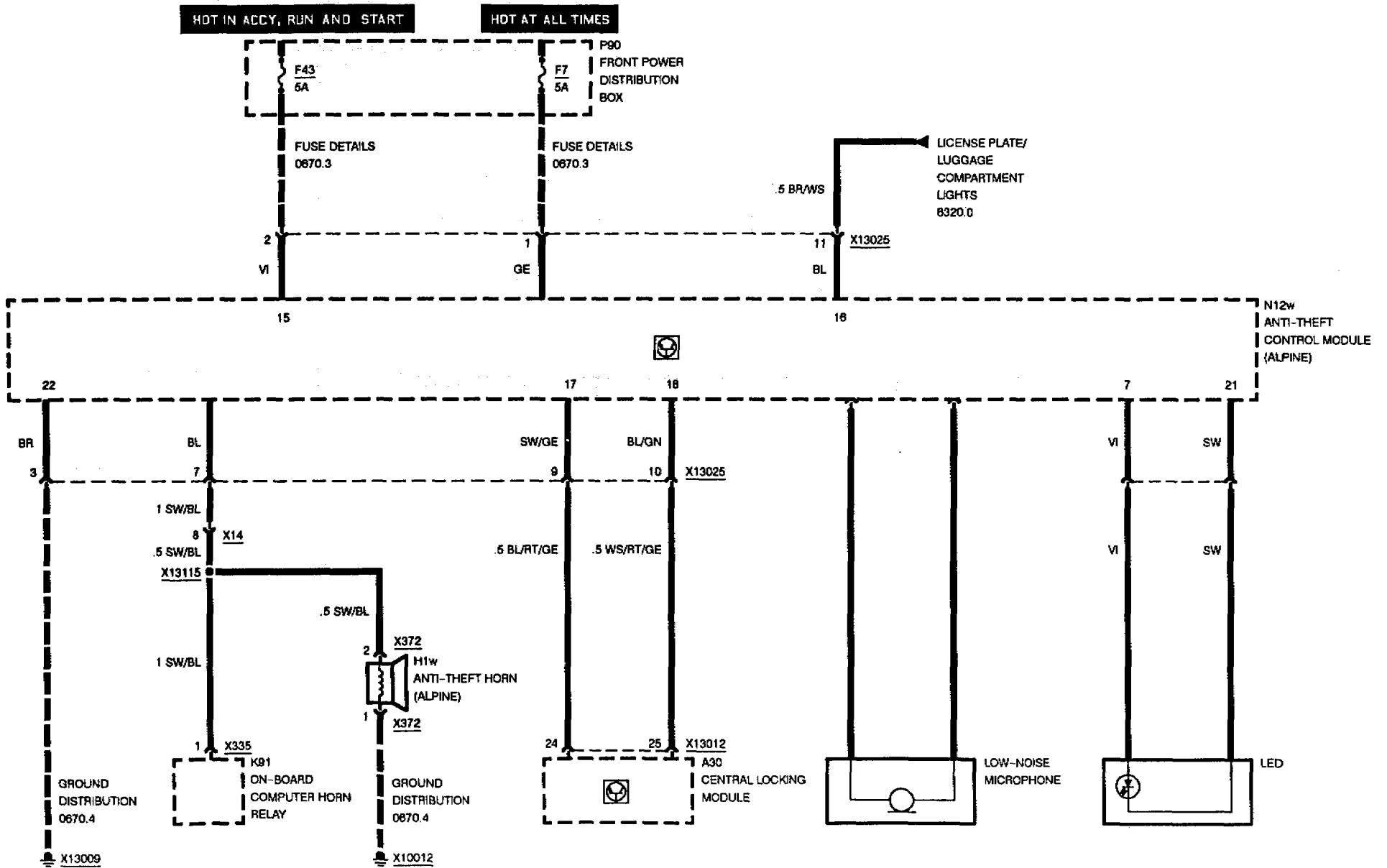




CRUISE CONTROL (TEMPOMAT)



ANTI-THEFT SYSTEM (ALPINE)

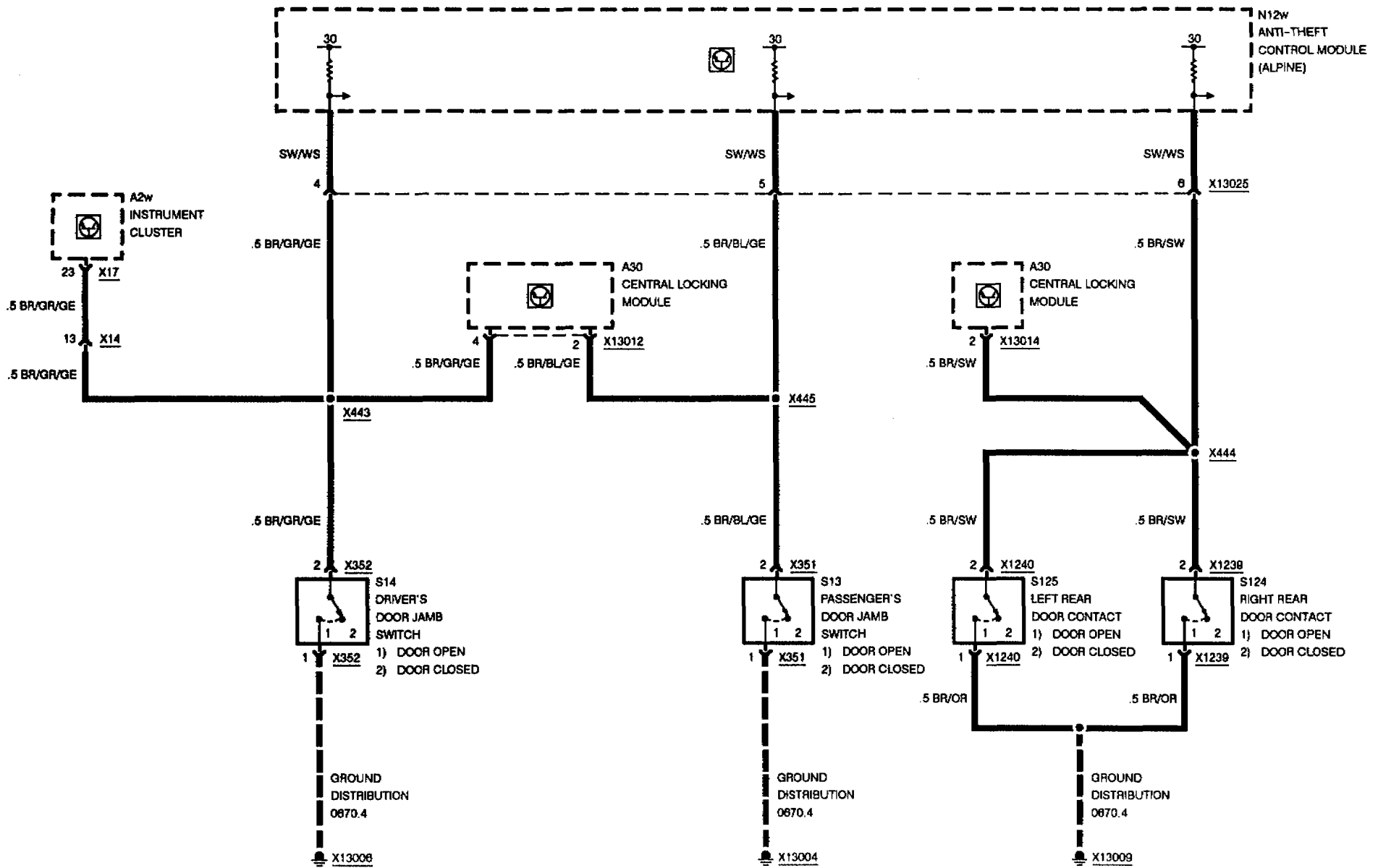




ANTI-THEFT SYSTEM (ALPINE)

FRONT AND REAR DOOR JAMB SWITCHES

FOUR-DOOR



11/92

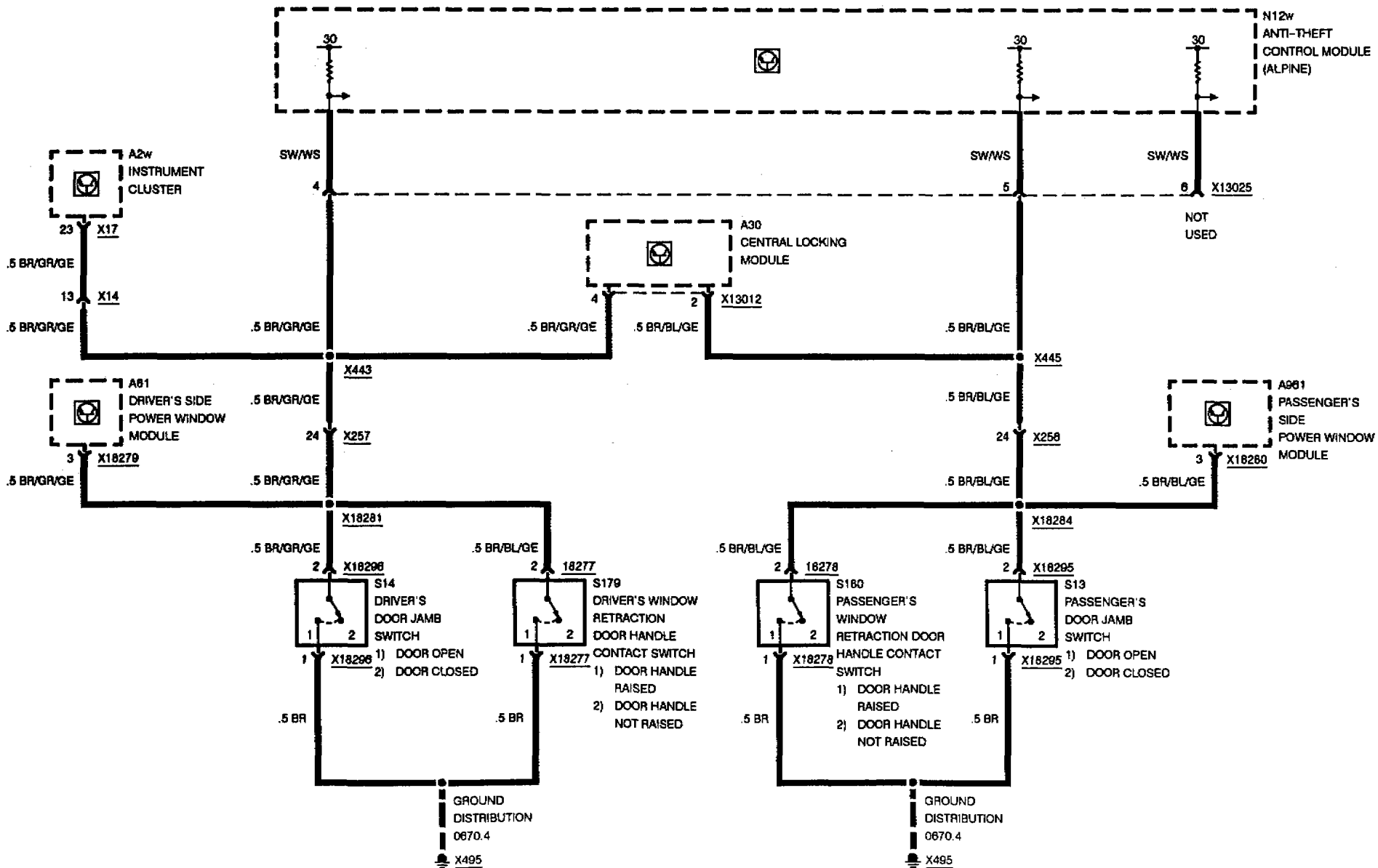
6575.2-01

1992



ANTI-THEFT SYSTEM (ALPINE) FRONT AND REAR DOOR JAMB SWITCHES

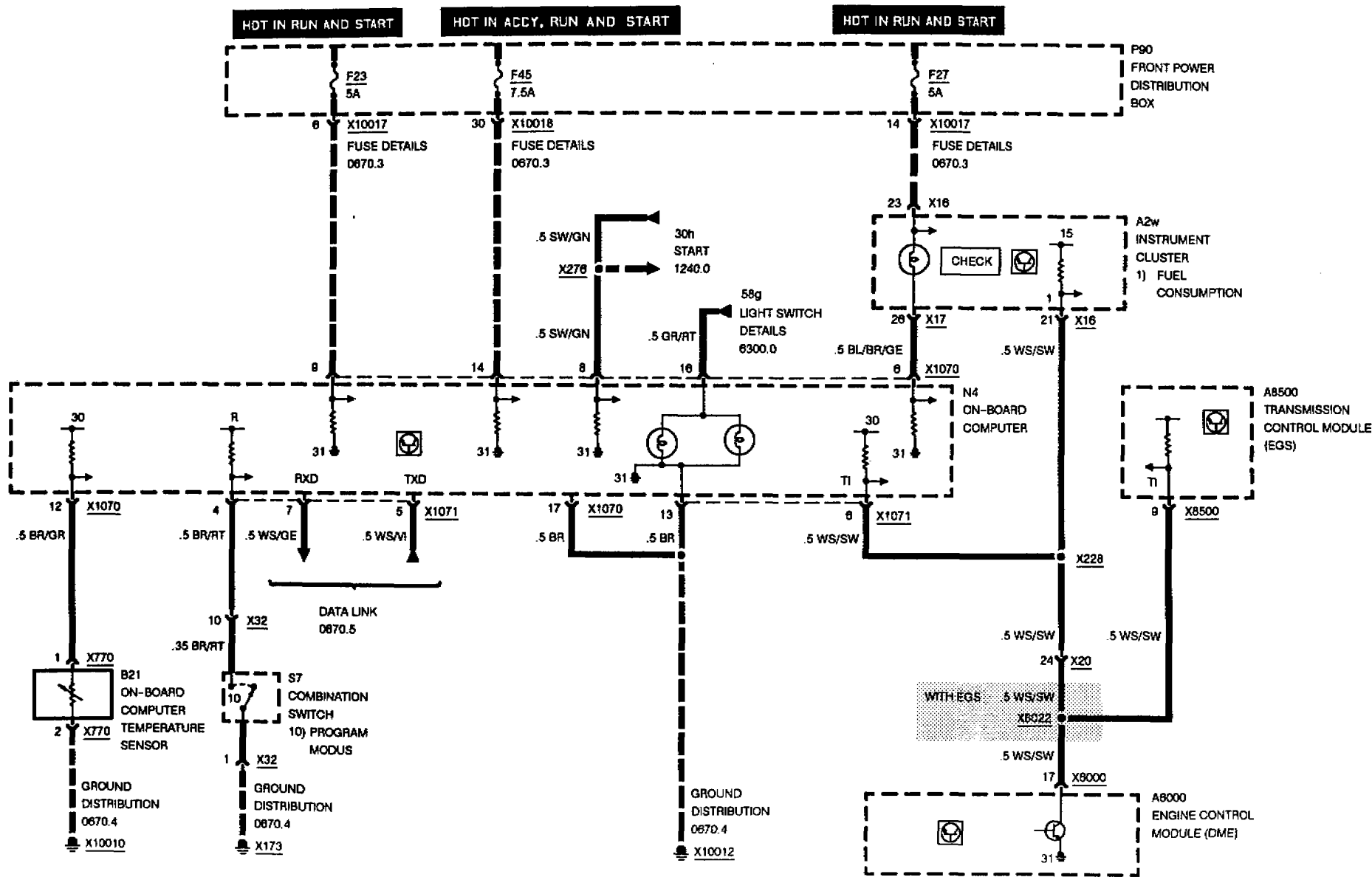
TWO-DOOR



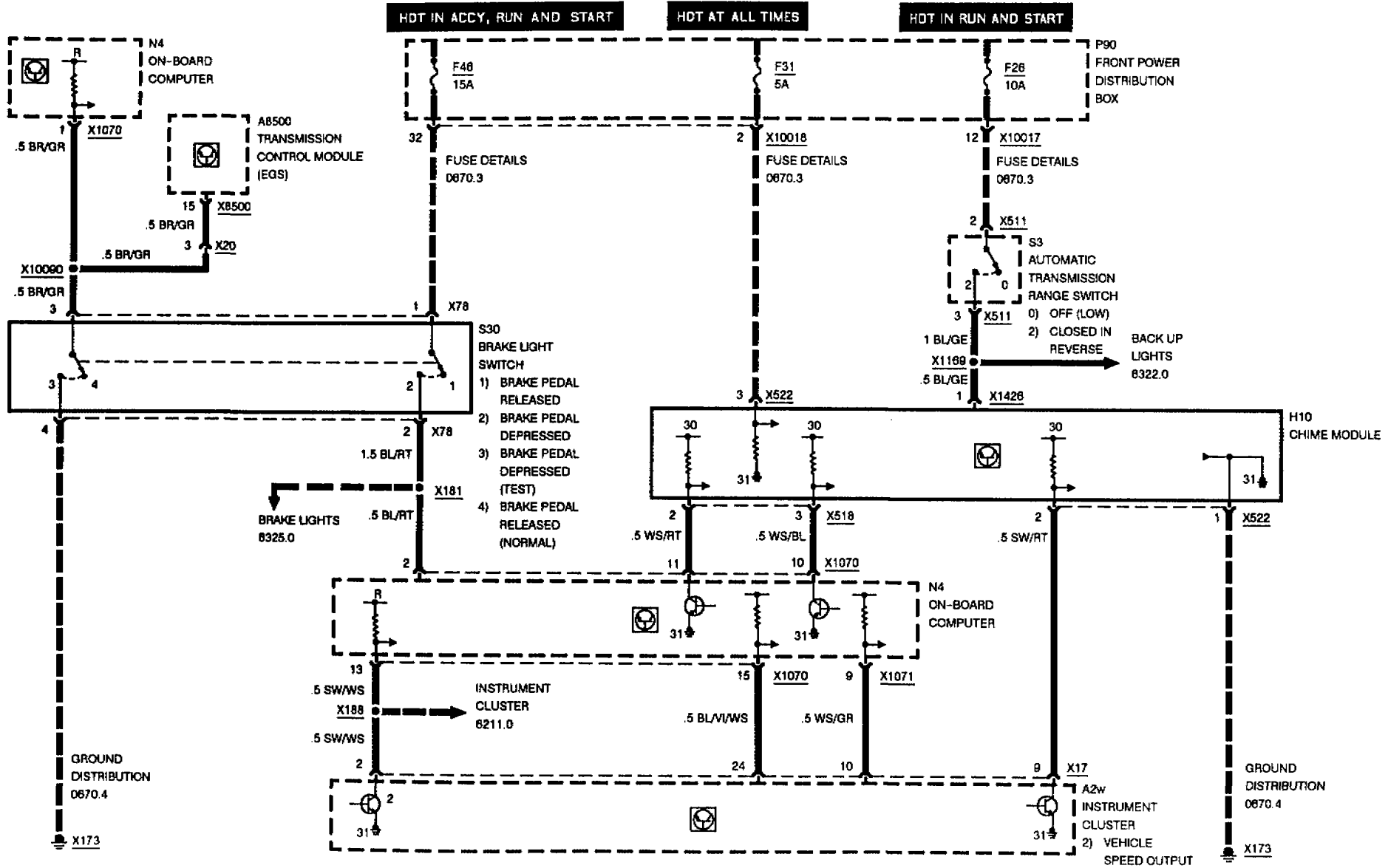
BMW
3



ON-BOARD COMPUTER (BC V) POWER



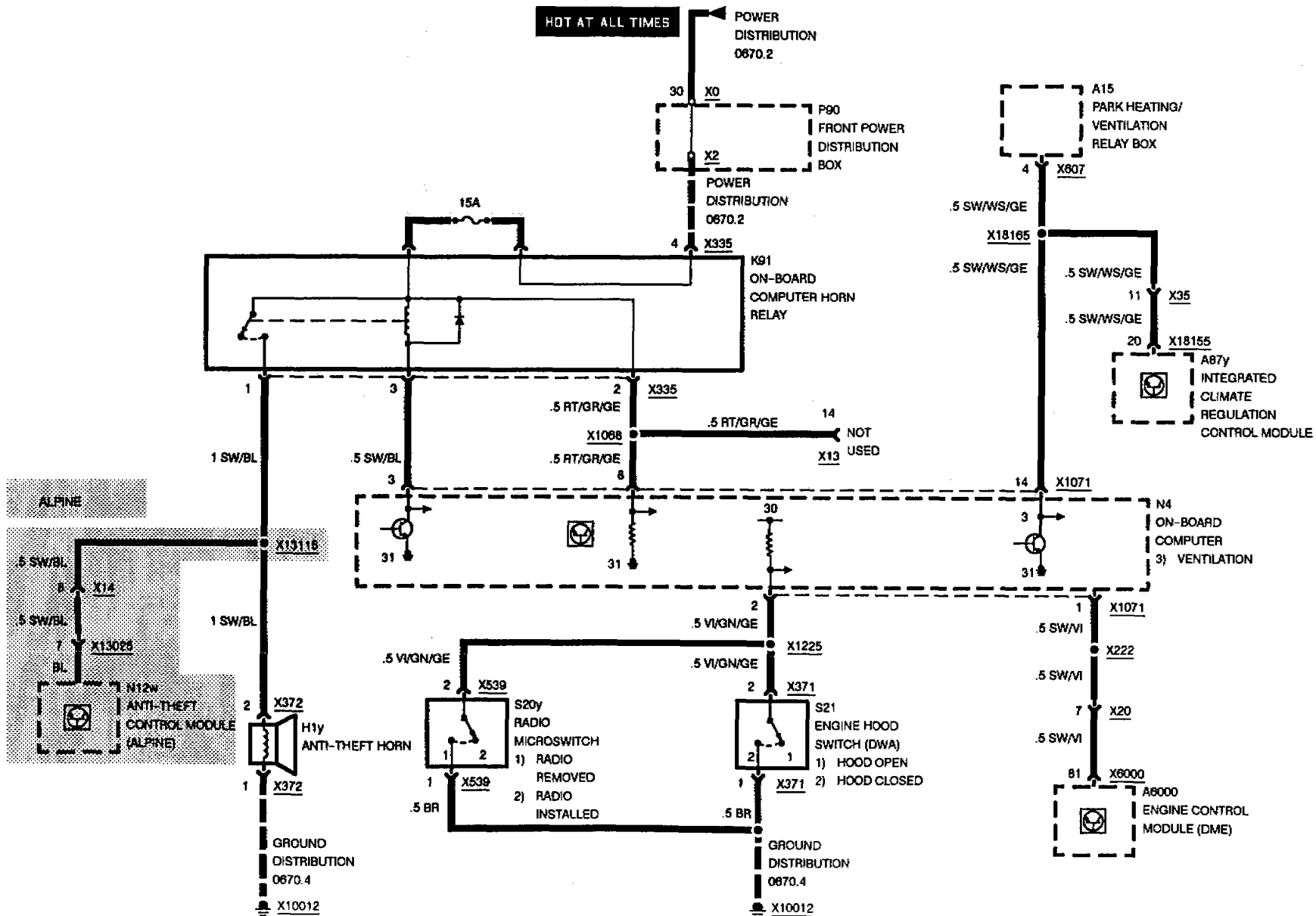
**BMW 3 ON-BOARD COMPUTER (BC V)
CHIME, CHECK MODULE**





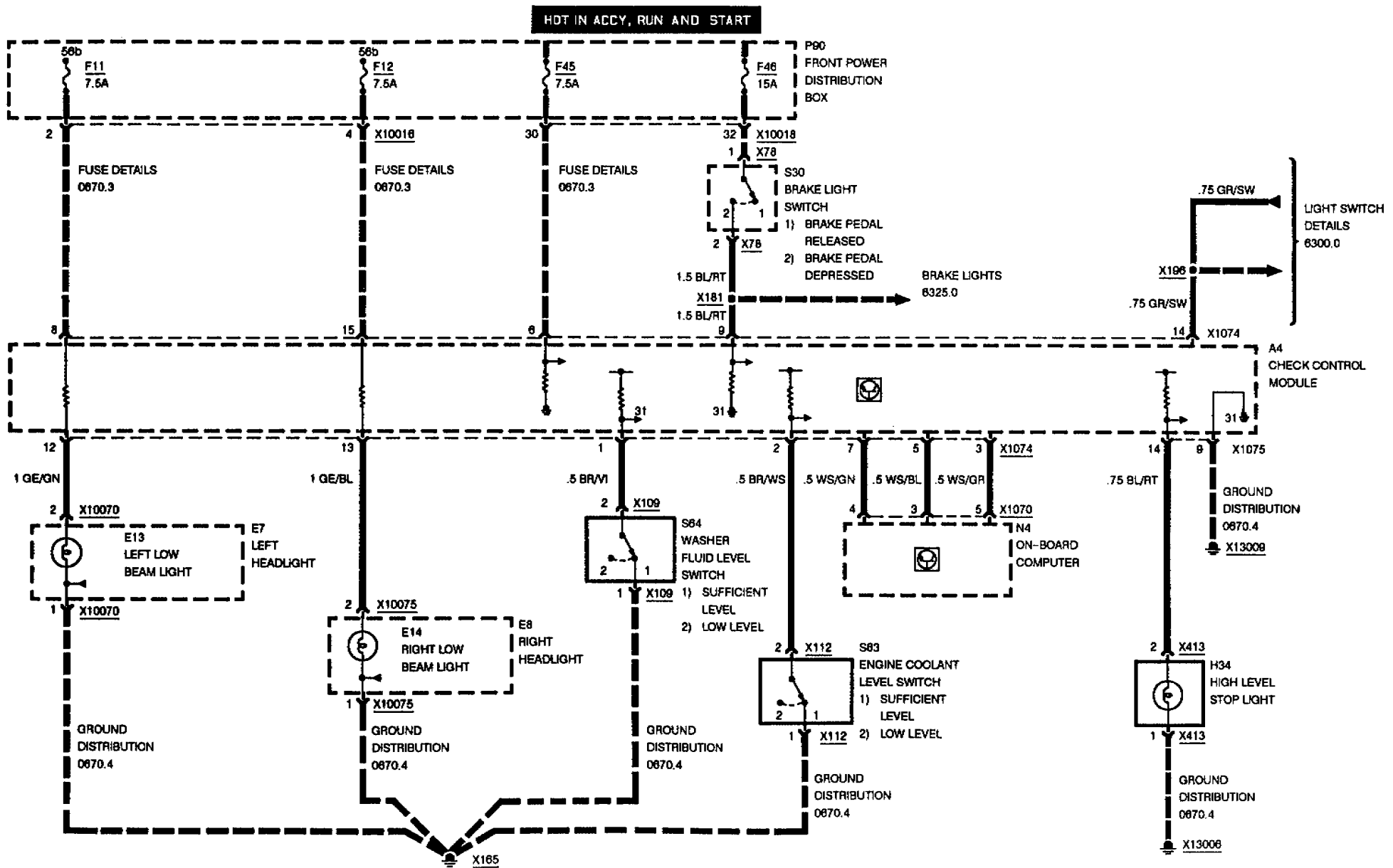
ON-BOARD COMPUTER (BC V)

ANTI-THEFT HORN, PARK VENTILATION





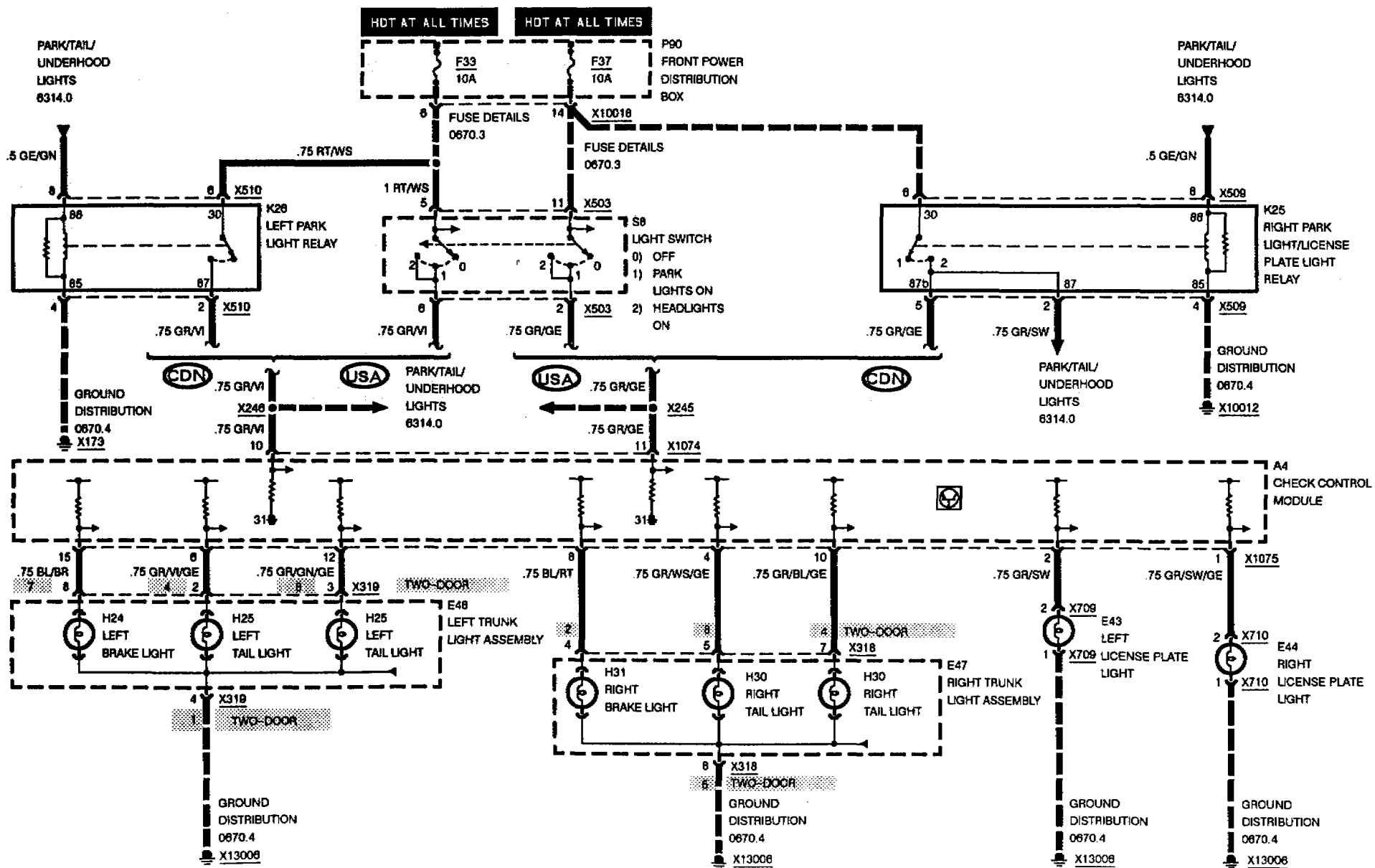
ON-BOARD COMPUTER (BC V) CHECK CONTROL





ON-BOARD COMPUTER (BC V)

CHECK CONTROL



BMW
3

7000.0



COMPONENT LOCATION CHART

COMPONENT

PAGE - FIGURE
7100.0 8500.0

A2	INSTRUMENT CLUSTER	LH side of dash	22-1
A4	CHECK CONTROL MODULE	Below LH side of dash	00-3
A4	CHECK CONTROL MODULE	Below LH side of dash	25-2
A7	SLIP CONTROL MODULE (ABS)	Below RH side of dash	01-1
A7	SLIP CONTROL MODULE (ABS)	Below RH side of dash	27-1
A8	CRUISE CONTROL MODULE (TEMPOMAT)	Below RH side of dash	02-1
A8	CRUISE CONTROL MODULE (TEMPOMAT)	Below RH side of dash	27-3
A12	SUPPLEMENTAL RESTRAINT SYSTEM CONTROL MODULE	Below RH side of dash	02-1
A12	SUPPLEMENTAL RESTRAINT SYSTEM CONTROL MODULE	Below RH side of dash	27-2
A15	PARK HEATING/VENTILATION RELAY BOX	Below LH side of dash	02-3
A15	PARK HEATING/VENTILATION RELAY BOX	Below LH side of dash	24-2
A18	HIFI AMPLIFIER	In LH forward side of luggage compartment	01-2
A18	HIFI AMPLIFIER	In LH forward side of luggage compartment	34-2
A30	CENTRAL LOCKING MODULE	Below RH side of dash	01-1
A30	CENTRAL LOCKING MODULE	Below RH side of dash	27-2
A51	WIPER/WASHER MODULE	Footwell, driver's side	00-2
A51	WIPER/WASHER MODULE	Footwell, driver's side	25-1
A56	SUNROOF CONTROL ASSEMBLY	In roof panel	18-2



COMPONENT LOCATION CHART

COMPONENT

PAGE - FIGURE
7100.0 8500.0

A61 ... DRIVER'S SIDE POWER WINDOW MODULE	Driver's door	31-2
A64 ... WIPER/WASHER MODULE (LOW II)	Footwell, driver's side	25-1
A64 ... WIPER/WASHER MODULE (LOW II)	LH side of LH footwell under footrest	
A87y .. INTEGRATED CLIMATE REGULATION CONTROL MODULE	Center console on-board computer (removed)	30-3
A961 .. PASSENGER'S SIDE POWER WINDOW MODULE	Passenger's door	32-2
A6000 . ENGINE CONTROL MODULE (DME)	Rear RH side of engine compartment in E-Box	00-1
A6000 . ENGINE CONTROL MODULE (DME)	Rear RH side of engine compartment in E-Box	10-3
A8500 . TRANSMISSION CONTROL MODULE (EGS)	Rear RH side of engine compartment in E-Box	00-1
A8500 . TRANSMISSION CONTROL MODULE (EGS)	Rear RH side of engine compartment in E-Box	10-3
B1 RIGHT FRONT SPEED SENSOR - ABS	On RH front wheel, above brake caliper	06-3
B2 LEFT FRONT SPEED SENSOR - ABS	On LH front wheel, above brake caliper	06-3
B3 RIGHT REAR SPEED SENSOR - ABS	On RH rear wheel, above brake caliper	
B4 LEFT REAR SPEED SENSOR - ABS	On LH rear wheel, above brake caliper	
B6 FUEL LEVEL SENSOR	Below LH side of rear seat	19-3
B10 ... VEHICLE SPEED SENSOR	Under rear of car	09-2
B13 ... OUTSIDE TEMPERATURE SENSOR	Rear of engine compartment behind RH fresh air cowl	13-1
B14 ... EVAPORATOR TEMPERATURE SENSOR	LH side of IHKR Plenum	25-3
B16 ... LEFT FRONT BRAKE PAD SENSOR	On LH front wheel, above brake caliper	06-3
B17 ... RIGHT REAR BRAKE PAD SENSOR	Behind RH rear wheel	



COMPONENT LOCATION CHART

COMPONENT

PAGE - FIGURE
7100.0 8500.0

B18 ... BRAKE FLUID LEVEL SWITCH	Rear LH side of engine compartment top of brake fluid reservoir	12-2
B21 ... ON-BOARD COMPUTER TEMPERATURE SENSOR	Front RH side of engine compartment	
B8y ... PRESSURE SWITCH	Front RH side of engine compartment	17-2
B8y ... PRESSURE SWITCH	Front RH side of engine compartment	
B9y ... PRESSURE SWITCH	Front RH side of engine compartment	17-2
B9y ... PRESSURE SWITCH	Front RH side of engine compartment	
B25y .. FUEL TANK SENSOR II	Below RH side of rear seat	20-1
B6200 . HEATED OXYGEN SENSOR	On RH side of transmission (318is)	08-1
B6200 . HEATED OXYGEN SENSOR	Under center of car (325i)	08-2
B6203 . CRANKSHAFT POSITION/RPM SENSOR	Under front of car (325i)	07-1
B6203 . CRANKSHAFT POSITION/RPM SENSOR	Under RH front of car rear of radiator (318is)	07-2
B6204 . CAMSHAFT POSITION SENSOR (CYLINDER IDENTIFICATION)	RH front of engine (325i)	14-3
B6205 . INTAKE AIR TEMPERATURE SENSOR	LH side of engine on intake manifold below	15-2
B6206 . MASS AIR FLOW SENSOR	LH side of engine (325i)	15-3
B6231 . OIL PRESSURE SWITCH	Rear of engine (318is)	13-2
B6231 . OIL PRESSURE SWITCH	RH front of engine (325i)	14-3
B6232 . ENGINE COOLANT TEMPERATURE SENSOR	RH front of engine (325i)	15-1
B6236 . ENGINE COOLANT TEMPERATURE SENSOR	RH front of engine (325i)	14-3
B6241 . CYL. 1-2 KNOCK SENSOR	LH side of engine	



COMPONENT LOCATION CHART

COMPONENT

PAGE - FIGURE
7100.0 8500.0

B6242	CYL. 3-4 KNOCK SENSOR	LH side of engine	
B9508	PRESSURE SWITCH	Front RH side of engine compartment	17-2
C101	CONTACT RING	Top of steering column	21-1
C900	SUPPRESSION FILTER	In lower RH C-pillar	20-2
D100	DATA LINK CONNECTOR	Back of RH side shock tower	10-1
E9	REAR DEFOGGER I	In lower RH C-pillar	20-2
E10	REAR DEFOGGER/ANTENNA	In rear window	
E25	FRONT ASHTRAY LIGHT	Center console	28-2
E26	LEFT FOG LIGHT	Under LH front bumper	06-1
E27	RIGHT FOG LIGHT	Under RH front bumper	06-1
E29	FRONT CIGAR LIGHTER LIGHT	Center console near gearshift lever	30-1
E34	FRONT DOME LIGHT/MAP READING ASSEMBLY	In roof panel	18-1
E39	LEFT REAR INTERIOR LIGHT	In lower LH C-pillar	20-3
E40	RIGHT REAR INTERIOR LIGHT	In lower RH C-pillar	20-2
E43	LEFT LICENSE PLATE LIGHT	Underside of trunk lid, near license plate	35-1
E44	RIGHT LICENSE PLATE LIGHT	Underside of trunk lid, near license plate	35-1
E28y	REAR ASHTRAY LIGHT	Center console	28-2
F56	AUTOMATIC CUT-OUT	LH side of dash	21-3
G1	BATTERY	In RH rear side of luggage compartment (325i)	34-1
G5	DRIVER'S AIR BAG GENERATOR	Behind steering wheel	21-1



COMPONENT LOCATION CHART

COMPONENT

PAGE - FIGURE
7100.0 8500.0

G6430 . B+ JUMP START JUNCTION POINT	Back of RH side shock tower	03-3
G6430 . B+ JUMP START JUNCTION POINT	Back of RH side shock tower	10-1
G6509 . GENERATOR	LH side of engine compartment (325i)	
H10 ... CHIME MODULE	Below LH side of dash	
H1y ... ANTI-THEFT HORN	Back of RH side shock tower	10-2
H38 ... TELEPHONE TRANSCEIVER	In luggage compartment	01-2
K1 STARTER RELAY	Below LH side of dash	24-3
K2 HORN RELAY	Rear LH side of engine compartment in Power Distribution Box	11-3
K4 BLOWER RELAY	Rear LH side of engine compartment in Power Distribution Box	11-3
K9 UNLOADER RELAY, TERMINAL 15	Below LH side of dash	24-3
K10 ... ABS RELAY	Rear LH side of engine compartment in Power Distribution Box	11-2
K11 ... WIPER RELAY	Below LH side of dash	24-3
K13 ... REAR DEFOGGER RELAY	Rear LH side of engine compartment in Power Distribution Box	11-2
K16 ... HAZARD FLASHER RELAY	Rear LH side of engine compartment in Power Distribution Box	11-3
K18 ... UNLOADER RELAY TERMINAL R	Below LH side of dash	24-1
K19 ... COMPRESSOR CONTROL RELAY	Rear LH side of engine compartment in Power Distribution Box	11-1
K21 ... NORMAL SPEED RELAY	Rear LH side of engine compartment in Power Distribution Box	11-1
K22 ... HIGH SPEED RELAY	Rear LH side of engine compartment in Power Distribution Box	11-1



COMPONENT LOCATION CHART

COMPONENT

PAGE - FIGURE
7100.0 8500.0

K25 ...	RIGHT PARK LIGHT/LICENSE PLATE LIGHT RELAY	RH side of dash behind glove box	
K26 ...	LEFT PARK LIGHT RELAY	RH side of dash behind glove box	
K46 ...	HIGH BEAM LIGHT RELAY	Rear LH side of engine compartment in Power Distribution Box	11-3
K47 ...	FRONT FOG LIGHT RELAY	Rear LH side of engine compartment in Power Distribution Box	11-3
K48 ...	LOW BEAM LIGHT RELAY	Rear LH side of engine compartment in Power Distribution Box	11-3
K53 ...	WIPER MOTOR RELAY	Below LH side of dash	24-3
K75 ...	ABS PUMP MOTOR RELAY	Rear LH side of engine compartment in Power Distribution Box	11-2
K78 ...	COMFORT RELAY	Below LH side of dash	
K6300 .	ENGINE CONTROL MODULE RELAY	Rear LH side of engine compartment in Power Distribution Box	11-2
K6301 .	CYL. 1-6 FUEL PUMP RELAY	Rear LH side of engine compartment in Power Distribution Box	11-2
K6303 .	OXYGEN SENSOR RELAY	Rear LH side of engine compartment in Power Distribution Box	11-2
M2	FUEL PUMP	Below RH side of rear seat	20-1
M3	WIPER MOTOR	Rear of engine compartment left	12-3
M4	WASHER PUMP	Front RH side of engine compartment on washer fluid reservoir	16-3
M5	INTENSIVE WASH PUMP	Front RH side of engine compartment	
M7	HEADLIGHT/FOG LIGHT WASHER PUMP	Front RH side of engine compartment on washer fluid reservoir	16-2
M9	AUXILIARY FAN MOTOR	Behind front grille	
M12 ...	DRIVER'S DOOR LOCK MOTOR	In lower LH front door behind trim panel	
M13 ...	PASSENGER'S DOOR LOCK MOTOR	In lower RH side of front door behind trim panel	



COMPONENT LOCATION CHART

COMPONENT

PAGE - FIGURE
7100.0 8500.0

M14 ...	RIGHT REAR DOOR LOCK MOTOR	In lower RH rear door behind trim panel	
M15 ...	LEFT REAR DOOR LOCK MOTOR	In lower LH rear door behind trim panel	
M16 ...	GAS FILLER LOCK MOTOR	In RH rear side of luggage compartment	34-1
M17 ...	TRUNK LOCK MOTOR	Rear side of luggage compartment	
M20 ...	LEFT REAR WINDOW MOTOR	In lower LH rear door behind trim panel	
M22 ...	RIGHT REAR WINDOW MOTOR	In lower RH rear door behind door panel	
M23 ...	PASSENGER'S WINDOW MOTOR	Passenger's door	32-3
M24 ...	SUNROOF MOTOR	In roof panel	18-2
M24 ...	SUNROOF MOTOR	Center of windshield header	
M25 ...	CRUISE CONTROL ACTUATOR (TEMPOMAT)	Front LH side of engine compartment	16-1
M30 ...	BLOWER MOTOR	Rear of engine compartment behind RH fresh air cowl	13-1
M34 ...	DASH VENT MIXING FLAP MOTOR	Behind center of dashboard LH side of IHKR Plenum	26-2
M36 ...	FRESH AIR FLAP MOTOR	RH side of IHKR Plenum	31-1
M40 ...	RECIRCULATION FLAP MOTOR	Below LH side of dash	26-1
M50 ...	DRIVER'S SEAT CUSHION TILT MOTOR	Under LH front seat	
M51 ...	DRIVER'S SEAT MOVEMENT MOTOR	Under LH front seat	
M52 ...	DRIVER'S SEAT HEIGHT MOTOR	Under LH front seat	
M53 ...	DRIVER'S SEATBACK RECLINER MOTOR	Under LH front seat	
M58 ...	PASSENGER'S SEATBACK RECLINER MOTOR	Under RH front seat	
N3 ...	DIMMER	Below LH side of dash	02-3



COMPONENT LOCATION CHART

COMPONENT

PAGE - FIGURE
7100.0 8500.0

N3	DIMMER	Below LH side of dash	24-2
N4	ON-BOARD COMPUTER	Center console	
N5	ANALOG CLOCK	Center console	
N6	HEADLIGHT/FOGLIGHT CLEANING MODULE (SRA)	Below LH side of dash	02-3
N6	HEADLIGHT/FOGLIGHT CLEANING MODULE (SRA)	Below LH side of dash	24-2
N8	ANTENNA AMPLIFIER AM/FM	In lower LH C-pillar	01-3
N8	ANTENNA AMPLIFIER AM/FM	In lower LH C-pillar	20-3
N9	RADIO	Center console	
N10	MULTI-FUNCTION CLOCK	Center console	
N17	CRASH CONTROL MODULE	Below LH side of dash	02-3
N17	CRASH CONTROL MODULE	Below LH side of dash	24-1
N20	RADIO RECEIVER	In RH forward side of luggage compartment	
N21	TWIN RELAY MODULE	Below LH side of dash	02-3
N21	TWIN RELAY MODULE	Below LH side of dash	24-1
N22	CD CHANGER	Center console	02-2
N22	CD CHANGER	Center console	
N12w	ANTI-THEFT CONTROL MODULE (ALPINE)	Below RH side of dash	02-1
N12w	ANTI-THEFT CONTROL MODULE (ALPINE)	Below RH side of dash	27-2
P90	FRONT POWER DISTRIBUTION BOX	Rear LH side of engine compartment in Power Distribution Box	03-1
P90	FRONT POWER DISTRIBUTION BOX	Rear LH side of engine compartment in Power Distribution Box	11-1



COMPONENT LOCATION CHART

COMPONENT

PAGE - FIGURE
7100.0 8500.0

R11	BLOWER RESISTORS	Behind center of dashboard LH side of IHKR Plenum	26-1
R6252	THROTTLE POSITION SENSOR	LH side of engine on intake manifold (318is)	13-3
R6252	THROTTLE POSITION SENSOR	LH side of engine (325i)	15-2
S2	IGNITION SWITCH	Top of steering column	21-2
S3	AUTOMATIC TRANSMISSION RANGE SWITCH	Center console near gearshift lever	29-1
S4	HORN SWITCH	Top of steering column	21-1
S5	WIPER/WASHER SWITCH	RH side of steering column above	21-2
S7	COMBINATION SWITCH	LH side of dash	21-3
S8	LIGHT SWITCH	LH side of dash	
S10	FOG LIGHT SWITCH	LH side of dash	
S13	PASSENGER'S DOOR JAMB SWITCH	In lower RH B-pillar	33-3
S14	DRIVER'S DOOR JAMB SWITCH	In lower LH B-pillar	33-3
S15	REAR RIGHT DOOR JAMB SWITCH	In lower RH C-pillar	
S16	LEFT REAR DOOR JAMB SWITCH	In lower LH C-pillar	
S17	MIRROR CONTROL SWITCH	LH front door	
S18	HAZARD SWITCH	Center console near gearshift lever	29-1
S27	INERTIA SWITCH	In lower RH A-pillar	
S28	CRUISE CONTROL SWITCH	RH side of steering column above	21-2
S29	BRAKE LIGHT SWITCH	On brake pedal support bracket	23-1
S30	BRAKE LIGHT SWITCH	On brake pedal support bracket	23-2



COMPONENT LOCATION CHART

COMPONENT

PAGE - FIGURE
7100.0 8500.0

S31 ...	PARK BRAKE SWITCH	On rear of park brake lever	28-2
S32 ...	CLUTCH SWITCH	On clutch pedal support bracket	23-1
S36 ...	TEMPERATURE SWITCH	Front RH side of engine compartment	17-3
S37 ...	GLOVE BOX LIGHT SWITCH	Behind glove box right	28-1
S38 ...	SUNROOF SWITCH	In roof panel	18-2
S41 ...	LEFT REAR WINDOW SWITCH	In lower LH rear door behind trim panel	
S42 ...	RIGHT REAR WINDOW SWITCH	In lower RH rear door behind trim panel	
S47 ...	DRIVER'S DOOR LOCK SWITCH	Driver's door	
S48 ...	DRIVER'S DOOR HANDLE SWITCH	Driver's door	
S49 ...	PASSENGER'S DOOR LOCK SWITCH	Passenger's door	
S51 ...	DRIVER'S SEAT SEAT CONTROL SWITCH	Center console	
S52 ...	DRIVER'S SEAT LUMBAR SWITCH	Center console	
S53 ...	DRIVER'S SEAT, SEAT HEATER SWITCH	Center console near gearshift lever	30-1
S54 ...	PASSENGER'S SEAT, SEAT HEATER SWITCH	Center console near gearshift lever	29-3
S56 ...	PASSENGER'S SEAT, SEAT CONTROL SWITCH	Center console	
S58 ...	DRIVER'S SEAT BELT SWITCH		
S63 ...	ENGINE COOLANT LEVEL SWITCH	Front RH side of engine compartment	
S64 ...	WASHER FLUID LEVEL SWITCH	Front RH side of engine compartment on washer fluid reservoir	16-3
S71 ...	LEFT FRONT IMPACT SENSOR	LH side of engine compartment	
S72 ...	RIGHT FRONT IMPACT SENSOR	Front RH side of engine compartment	16-2



COMPONENT LOCATION CHART

COMPONENT

PAGE - FIGURE
7100.0 8500.0

S75	...	BLOWER SWITCH	Center of dash under the control modules	
S77	...	DRIVER'S MAKEUP MIRROR SWITCH	Above LH sun visor	
S78	...	PASSENGER'S MAKEUP MIRROR SWITCH	..	Above RH sun visor	
S123	..	ABS PEDAL TRAVEL SENSOR	Rear LH side of engine compartment near brake master cylinder	12-1
S124	..	RIGHT REAR DOOR CONTACT	Rear RH door pillar	33-2
S125	..	LEFT REAR DOOR CONTACT	LH rear door jamb	33-2
S130	..	CHILD PROTECTION CONTROL (CONSOLE)	.	Center console	
S179	..	DRIVER'S WINDOW RETRACTION DOOR HANDLE CONTACT SWITCH	LH front door in door at key lock assembly	
S180	..	PASSENGER'S WINDOW RETRACTION DOOR HANDLE CONTACT SWITCH	RH front door in door at key lock assembly	
S20y	..	RADIO MICROSWITCH	Center console behind radio	22-2
S61y	..	TRUNK LIGHT SWITCH	Underside of trunk lid left	35-2
S126y	..	DRIVER'S POWER WINDOW SWITCH	Center console near gearshift lever	29-2
S127y	..	PASSENGER'S POWER WINDOW SWITCH	..	Center console near gearshift lever	29-2
S128y	..	LH REAR DOOR (CONSOLE) POWER WINDOW SWITCH	Center console	
S129y	..	RH REAR DOOR (CONSOLE) POWER WINDOW SWITCH	Center console	
S134y	..	IHKR CONTROL PANEL	Center of dash	



COMPONENT LOCATION CHART

COMPONENT

PAGE - FIGURE
7100.0 8500.0

S8503	PROGRAM SWITCH	Center console		
S8507	KICK-DOWN SWITCH	Below LH side of dash		
S8511	REVERSING LIGHT SWITCH	Under front of car LH side of transmission	EGS A4S 310R	07-3
T6151	CYL. 1 IGNITION COIL	Top RH side of engine (325i)		14-2
T6152	CYL. 2 IGNITION COIL	Top RH side of engine (325i)		14-2
T6153	CYL. 3 IGNITION COIL	Top RH side of engine (325i)		14-2
T6154	CYL. 4 IGNITION COIL	Top RH side of engine (325i)		14-2
T6155	CYL. 5 IGNITION COIL	Top RH side of engine (325i)		14-2
T6156	CYL. 6 IGNITION COIL	Top RH side of engine (325i)		14-2
U4	TELEPHONE HANDSET	Center console		
V4	DAYTIME RUNNING LIGHTS CODING DIODE	LH side of dash		
X2	BATTERY B+ START POINT	Rear LH side of engine compartment in Power Distribution Box		03-1
X3	B+ JUNCTION POINT	Rear LH side of engine compartment in Power Distribution Box		03-1
X3	B+ JUNCTION POINT	Rear LH side of engine compartment in Power Distribution Box		
X9	B+ JUNCTION POINT	Rear LH side of engine compartment in Power Distribution Box		03-1
X11	CONNECTOR (55-PINS, BLACK)	Below RH side of dash		27-1 00-1
X13	CONNECTOR (30-PINS, BLACK)	Footwell, driver's side		25-1 00-4
X14	CONNECTOR (30-PINS, WHITE)	Footwell, driver's side		25-1 00-4
X16	CONNECTOR (26-PINS, WHITE)	LH side of dash rear of A2 instrument cluster		22-1 00-2
X17	CONNECTOR (26-PINS, BLUE)	LH side of dash rear of A2 instrument cluster		22-1 00-2



COMPONENT LOCATION CHART

COMPONENT

PAGE - FIGURE
7100.0 8500.0

X20 ... CONNECTOR (25-PINS, BLACK)	Rear LH side of engine compartment near brake master cylinder	12-1	06-2
X22 ... CONNECTOR (26-PINS, BLUE)	Below RH side of dash	27-3	00-2
X31 ... CONNECTOR (12-PINS, BLACK)	Rear LH side of engine compartment		02-2
X32 ... CONNECTOR (12-PINS, WHITE)	Center of steering column	23-3	11-1
X33 ... CONNECTOR (12-PINS, BLACK)	Center of steering column	23-2	03-5
X35 ... CONNECTOR (12-PINS, WHITE)	Below LH side of dash RH side of steering column	26-2	11-1
X43 ... CONNECTOR (9-PINS, BLACK)	Power Distribution Box rear LH side of engine compartment		04-6
X44 ... CONNECTOR (9-PINS, BLACK)	Power Distribution Box rear LH side of engine compartment		04-6
X45 ... CONNECTOR (9-PINS, BLACK)	Power Distribution Box rear LH side of engine compartment		04-6
X51 ... CONNECTOR (9-PINS, BLACK)	Power Distribution Box rear LH side of engine compartment		04-6
X52 ... CONNECTOR (9-PINS, BLACK)	Power Distribution Box rear LH side of engine compartment		04-6
X53 ... CONNECTOR (9-PINS, BLACK)	Power Distribution Box rear LH side of engine compartment		04-6
X54 ... CONNECTOR (9-PINS, BLACK)	Power Distribution Box rear LH side of engine compartment		04-6
X55 ... CONNECTOR (9-PINS, BLACK)	Below LH side of dash		04-6
X56 ... CONNECTOR (9-PINS, BLACK)	Power Distribution Box rear LH side of engine compartment		04-6
X58 ... CONNECTOR (9-PINS, BLACK)	Power Distribution Box rear LH side of engine compartment		04-6
X61 ... CONNECTOR (9-PINS, BLACK)	Below LH side of dash		04-6
X63 ... CONNECTOR (9-PINS, BLACK)	Below LH side of dash		04-6
X64 ... CONNECTOR (9-PINS, BLACK)	Power Distribution Box rear LH side of engine compartment		04-6
X65 ... CONNECTOR (9-PINS, BLACK)	Below LH side of dash		04-6



COMPONENT LOCATION CHART

COMPONENT

PAGE - FIGURE
7100.0 8500.0

X69 ...	CONNECTOR (25-PINS, BLACK)	Rear LH side of engine compartment near brake master cylinder	12-1	06-2
X70 ...	CONNECTOR (8-PINS, BLACK)	Front LH side of engine compartment	16-1	02-4
X72 ...	CONNECTOR (8-PINS, WHITE)	Center of steering column	23-2	04-5
X74 ...	CONNECTOR (12-PINS, BLUE)	RH side of dash behind glove box		01-3
X75 ...	CONNECTOR (12-PINS, WHITE)	RH side of dash behind glove box		01-3
X78 ...	CONNECTOR (4-PINS, BLACK)	On brake pedal support bracket	23-2	04-3
X81 ...	CONNECTOR (3-PINS, ORANGE)	LH side of engine compartment		03-4
X82 ...	CONNECTOR (3-PINS, BLACK)	Front of engine compartment on auxiliary fan		08-2
X85 ...	CONNECTOR (3-PINS, BLACK)	Rear LH side of engine compartment near brake master cylinder	12-2	03-2
X86 ...	CONNECTOR (3-PINS, ORANGE)	Front RH side of engine compartment on washer fluid reservoir	16-2	03-4
X87 ...	CONNECTOR (3-PINS, BLACK)	Front RH side of engine compartment	17-3	08-2
X99 ...	CONNECTOR (9-PINS, BLACK)	Below LH side of dash		04-6
X107 ..	CONNECTOR (2-PINS, GRAY)	Front RH side of engine compartment on washer fluid reservoir	16-3	
X109 ..	CONNECTOR (2-PINS, GRAY)	Front RH side of engine compartment on washer fluid reservoir	16-3	
X110 ..	CONNECTOR (2-PINS, GRAY)	Back of RH side shock tower	10-2	
X111 ..	CONNECTOR (2-PINS, BLACK)	Rear LH side of engine compartment top of brake fluid reservoir	12-2	
X112 ..	CONNECTOR (2-PINS, BLACK)	Front RH side of engine compartment RH top of radiator		
X113 ..	CONNECTOR (2-PINS, GRAY)	Behind RH front wheel		06-2
X114 ..	CONNECTOR (2-PINS, GRAY)	Behind LH front wheel		06-2
X116 ..	CONNECTOR (2-PINS, BLACK)	On brake pedal support bracket	23-1	



COMPONENT LOCATION CHART

COMPONENT

PAGE - FIGURE
7100.0 8500.0

X118	.. CONNECTOR (2-PINS, BLACK) Above LH front wheel well behind LH front wheel 06-2	
X121	.. CONNECTOR (2-PINS, BLACK) On clutch pedal support bracket 23-1	
X123	.. CONNECTOR (2-PINS, GRAY) Front RH side of engine compartment on washer fluid reservoir 16-2	
X126	.. CONNECTOR (2-PINS, BLACK) Front RH side of engine compartment 17-2	
X127	.. CONNECTOR (2-PINS, BLACK) Front RH side of engine compartment 17-2	
X128	.. CONNECTOR (2-PINS, BLACK) Front RH side of engine compartment		
X132	.. CONNECTOR (2-PINS, BLACK) Front of engine compartment		
X133	.. CONNECTOR (2-PINS, BLACK) Front of engine compartment		
X137	.. CONNECTOR (2-PINS, BLACK) Front LH side of engine compartment		
X142	.. CONNECTOR (3-PINS, GRAY) Under rear of car on differential 09-3	03-2
X143	.. CONNECTOR (3-PINS, GRAY) Under rear of car on differential 09-2	03-2
X163	.. CONNECTOR (3-PINS, BLACK) On A/C compressor 17-2	03-2
X165	.. GROUND Front LH side of engine compartment 04-3	
X165	.. GROUND Front LH side of engine compartment 17-1	
X168	.. CONNECTOR (1-PINS, BLACK) LH side of steering column 21-3	
X173	.. GROUND Below LH side of dash 05-3	
X173	.. GROUND Below LH side of dash 22-3	
X256	.. CONNECTOR (26-PINS, BLACK) Passenger's door 32-3	05-1
X257	.. CONNECTOR (26-PINS, BLACK) Driver's door 32-1	05-1
X271	.. CONNECTOR (12-PINS, BLACK) LH side of dash rear of A2 instrument cluster 22-1	01-3



COMPONENT LOCATION CHART

COMPONENT

PAGE - FIGURE
7100.0 8500.0

X272	CONNECTOR (2-PINS, BLACK)	In roof panel	18-2	
X273	CONNECTOR (12-PINS, BLACK)	In lower LH B-pillar	33-3	01-2
X274	CONNECTOR (12-PINS, BLACK)	In lower RH B-pillar	33-3	01-2
X275	CONNECTOR (4-PINS, WHITE)	Under LH front seat under carpet	19-2	04-3
X279	CONNECTOR (4-PINS, WHITE)	Under RH front seat	19-1	04-3
X285	CONNECTOR (15-PINS, BLUE)	On washer fluid reservoir below		00-3
X292	CONNECTOR (9-PINS, BLACK)	Power Distribution Box rear LH side of engine compartment		04-6
X295	CONNECTOR (8-PINS, BLACK)	Center of steering column	23-2	04-5
X304	CONNECTOR (9-PINS, BLACK)	Below LH side of dash		04-6
X311	CONNECTOR (3-PINS, BLACK)	Underside of trunk lid left	35-2	05-6
X312	CONNECTOR (2-PINS, BLACK)	In RH rear side of luggage compartment	34-1	
X315	CONNECTOR (2-PINS, BLACK)	Underside of trunk lid left	35-2	
X316	CONNECTOR (6-PINS, WHITE)	Center console near gearshift lever	29-2	09-2
X317	CONNECTOR (6-PINS, WHITE)	Center console near gearshift lever	29-1	09-2
X318	CONNECTOR (8-PINS, BLACK)	In RH rear side of luggage compartment behind RH rear light assembly	34-1	02-1
X319	CONNECTOR (8-PINS, BLACK)	In LH rear side of luggage compartment behind LH rear light assembly	34-3	02-1
X320	CONNECTOR (6-PINS, WHITE)	Center console near gearshift lever	29-1	09-2
X322	CONNECTOR (6-PINS, BLACK)	Footwell, driver's side	23-3	07-4
X323	CONNECTOR (6-PINS, WHITE)	In roof panel	18-3	04-1
X324	CONNECTOR (6-PINS, WHITE)	Center console near gearshift lever	29-2	09-2



COMPONENT LOCATION CHART

COMPONENT

		PAGE - FIGURE	
		7100.0	8500.0
X331	CONNECTOR (5-PINS, BLACK)	Below RH side of dash	27-3 01-4
X333	CONNECTOR (4-PINS, BLACK)	Rear of engine compartment left	12-3 09-3
X333	CONNECTOR (4-PINS, BLACK)	Below LH side of dash RH side of steering column	26-2 09-3
X335	CONNECTOR (4-PINS, BLACK)	Below RH side of dash	27-3 01-6
X336	CONNECTOR (6-PINS, WHITE)	In roof panel	18-1 10-6
X351	CONNECTOR (2-PINS, BLACK)	In lower RH B-pillar	33-3
X352	CONNECTOR (2-PINS, BLACK)	In lower LH B-pillar	33-3
X355	CONNECTOR (2-PINS, BLACK)	In lower RH C-pillar	20-2
X356	CONNECTOR (2-PINS, BLACK)	In lower LH C-pillar	20-3
X372	CONNECTOR (2-PINS, GRAY)	Back of RH side shock tower	10-2
X379	CONNECTOR (1-PINS, NATURAL)	In lower LH C-pillar	20-3
X380	CONNECTOR (1-PINS, NATURAL)	In lower RH C-pillar	20-2
X381	CONNECTOR (3-PINS, BLACK)	In roof panel	18-3 01-1
X382	CONNECTOR (3-PINS, BLACK)	In roof panel	18-1 01-1
X383	CONNECTOR (2-PINS, BLACK)	Under rear of car on differential	09-2
X386	CONNECTOR (1-PINS, BLACK)	Behind ashtray	
X387	CONNECTOR (1-PINS, BLACK)	Behind ashtray	
X388	CONNECTOR (2-PINS, BLACK)	In lower RH A-pillar	
X389	CONNECTOR (2-PINS, GRAY)	Rear LH side of engine compartment	
X400	CONNECTOR (8-PINS, BLACK)	In RH rear side of luggage compartment	



COMPONENT LOCATION CHART

COMPONENT

PAGE - FIGURE
7100.0 8500.0

X401	.. CONNECTOR (1-PINS, BLACK) In roof panel	18-3	
X402	.. CONNECTOR (1-PINS, BLACK) In roof panel	18-1	
X409	.. CONNECTOR (2-PINS, BLACK) Under center of car on catalytic converter			
X423	.. CONNECTOR (1-PINS, NATURAL) Below center console on rear of park brake lever			
X424	.. CONNECTOR (1-PINS, BROWN) In lower LH C-pillar	20-3	
X494	.. GROUND Center console	05-2	
X494	.. GROUND Center console	28-3	
X495	.. GROUND Below RH side of dash	05-1	
X495	.. GROUND Below RH side of dash	26-3	
X498	.. GROUND Center console	05-2	
X498	.. GROUND Center console	28-3	
X503	.. CONNECTOR (12-PINS, WHITE) Below LH side of dash	24-1	02-2
X504	.. CONNECTOR (4-PINS, WHITE) Center console	24-1	04-3
X509	.. CONNECTOR (9-PINS, BLACK) RH side of dash behind glove box		04-6
X510	.. CONNECTOR (9-PINS, BLACK) RH side of dash behind glove box		04-6
X511	.. CONNECTOR (8-PINS, BLACK) Center console near gearshift lever	29-1	02-1
X516	.. CONNECTOR (5-PINS, BLACK) Center console near gearshift lever	29-1	04-2
X517	.. CONNECTOR (4-PINS, BLACK) Below LH side of dash	24-2	04-3
X518	.. CONNECTOR (4-PINS, BLACK) Footwell, driver's side	23-3	04-3
X522	.. CONNECTOR (3-PINS, WHITE) Footwell, driver's side	23-3	05-6



COMPONENT LOCATION CHART

COMPONENT

PAGE - FIGURE
7100.0 8500.0

X523 ..	CONNECTOR (3-PINS, NATURAL)	LH side of dash		
X531 ..	CONNECTOR (1-PINS, BLACK)	Center console near gearshift lever	30-1	
X532 ..	CONNECTOR (2-PINS, BLACK)	Center console near gearshift lever	30-1	
X537 ..	CONNECTOR (2-PINS, BLACK)	Driver's door	31-2	
X538 ..	CONNECTOR (2-PINS, BLACK)	Passenger's door	32-3	
X539 ..	CONNECTOR (2-PINS, BLACK)	Center console behind radio	22-2	
X540 ..	CONNECTOR (2-PINS, BLACK)	Behind glove box right	28-1	
X541 ..	CONNECTOR (1-PINS, WHITE)	Behind glove box above	28-1	
X542 ..	CONNECTOR (2-PINS, BLACK)	Behind glove box left	28-1	
X603 ..	CONNECTOR (6-PINS, (---))	Center console		06-1
X604 ..	CONNECTOR (6-PINS, (---))	Center console		06-1
X605 ..	CONNECTOR (12-PINS, BLACK)	In LH forward side of luggage compartment	34-2	03-1
X606 ..	CONNECTOR (12-PINS, WHITE)	In LH forward side of luggage compartment	34-2	03-1
X607 ..	CONNECTOR (9-PINS, BLACK)	Below LH side of dash		04-6
X623 ..	CONNECTOR (4-PINS, BLACK)	Driver's door	31-2	09-6
X624 ..	CONNECTOR (4-PINS, BLACK)	Passenger's door	32-3	09-6
X625 ..	CONNECTOR (6-PINS, WHITE)	Driver's door	31-2	06-1
X630 ..	CONNECTOR (13-PINS, BLACK)	Under center of rear bumper		02-5
X638 ..	CONNECTOR (2-PINS, BLACK)	Below RH side of rear seat	20-1	
X641 ..	CONNECTOR (6-PINS, BLACK)	Passenger's door	33-1	10-3



COMPONENT LOCATION CHART

COMPONENT

PAGE - FIGURE
7100.0 8500.0

X644	.. CONNECTOR (6-PINS, BLACK)	In lower LH rear door		07-3
X645	.. CONNECTOR (6-PINS, BLUE)	In lower LH rear door		10-4
X646	.. CONNECTOR (6-PINS, BLACK)	In lower RH rear door behind trim panel		07-3
X647	.. CONNECTOR (6-PINS, BLUE)	In lower RH rear door behind trim panel		10-4
X651	.. CONNECTOR (6-PINS, YELLOW)	Center console near gearshift lever	30-1	06-4
X658	.. CONNECTOR (6-PINS, YELLOW)	Center console near gearshift lever	29-3	06-4
X660	.. CONNECTOR (6-PINS, BLACK)	Driver's door	31-3	07-3
X662	.. CONNECTOR (6-PINS, GRAY)	Below LH side of dash	26-1	05-5
X663	.. CONNECTOR (6-PINS, GRAY)	RH side of IHKR Plenum	31-1	05-5
X669	.. CONNECTOR (6-PINS, GRAY)	Behind center of dashboard LH side of IHKR Plenum	26-2	05-5
X679	.. CONNECTOR (2-PINS, WHITE)	Below RH side of rear seat	20-1	
X700	.. CONNECTOR (1-PINS, NATURAL)	Behind RH footwell speaker grille		
X701	.. CONNECTOR (1-PINS, NATURAL)	Behind LH footwell kickpanel		
X706	.. CONNECTOR (2-PINS, BLACK)	Center console	28-2	
X709	.. CONNECTOR (2-PINS, BLACK)	Underside of trunk lid, near license plate	35-1	
X710	.. CONNECTOR (2-PINS, BLACK)	Underside of trunk lid, near license plate	35-1	
X711	.. CONNECTOR (1-PINS, NATURAL)	Underside of trunk lid left	35-2	
X712	.. CONNECTOR (1-PINS, NATURAL)	Underside of trunk lid left		
X713	.. CONNECTOR (2-PINS, BLACK)	Under rear of car on differential	09-2	
X714	.. CONNECTOR (2-PINS, GRAY)	In lower LH rear door behind trim panel		



COMPONENT LOCATION CHART

COMPONENT

PAGE - FIGURE
7100.0 8500.0

X720 .. CONNECTOR (2-PINS, GRAY)	In lower RH rear door behind trim panel		
X726 .. CONNECTOR (2-PINS, (---))	Under LH front seat		
X727 .. CONNECTOR (2-PINS, (---))	Under LH front seat		
X728 .. CONNECTOR (2-PINS, (---))	Under LH front seat		
X729 .. CONNECTOR (2-PINS, (---))	Under LH front seat		
X732 .. CONNECTOR (4-PINS, BLACK)	Under LH front seat under carpet	19-2	04-3
X733 .. CONNECTOR (4-PINS, BLACK)	Under LH front seat under carpet	19-2	04-3
X734 .. CONNECTOR (2-PINS, (---))	Under RH front seat		
X735 .. CONNECTOR (2-PINS, (---))	Under RH front seat		
X736 .. CONNECTOR (2-PINS, (---))	Under RH front seat		
X737 .. CONNECTOR (2-PINS, (---))	Under RH front seat		
X740 .. CONNECTOR (4-PINS, BLACK)	Under RH front seat	19-1	04-3
X741 .. CONNECTOR (4-PINS, BLACK)	Under RH front seat	19-1	04-3
X742 .. CONNECTOR (2-PINS, YELLOW)	RH front door in door at key lock assembly		
X744 .. CONNECTOR (2-PINS, GRAY)	Passenger's door	32-3	
X746 .. CONNECTOR (2-PINS, BLACK)	Passenger's door	32-3	
X747 .. CONNECTOR (2-PINS, YELLOW)	Driver's door	31-3	
X751 .. CONNECTOR (2-PINS, WHITE)	Driver's door	31-3	
X752 .. CONNECTOR (2-PINS, GRAY)	Driver's door	31-3	
X753 .. CONNECTOR (2-PINS, BLACK)	Driver's door	31-2	



COMPONENT LOCATION CHART

COMPONENT

PAGE - FIGURE
7100.0 8500.0

X768 .. CONNECTOR (2-PINS, WHITE)	In the engine compartment near LH headlight assembly	06-1	
X769 .. CONNECTOR (2-PINS, WHITE)	In the engine compartment near RH headlight assembly	06-1	
X771 .. CONNECTOR (2-PINS, BLACK)	LH side of IHKR Plenum	25-3	
X772 .. CONNECTOR (2-PINS, WHITE)	Center console on-board computer (removed)	30-3	
X773 .. CONNECTOR (2-PINS, WHITE)	Center console on-board computer (removed)	30-3	
X774 .. CONNECTOR (1-PINS, GRAY)	Rear of engine compartment behind RH fresh air cowl		
X778 .. CONNECTOR (2-PINS, (---))			
X779 .. CHARGING SOCKET	Behind glove box left	28-1	
X783 .. CONNECTOR (2-PINS, ORANGE)	Underside of steering column	24-1	
X784 .. CONNECTOR (12-PINS, BLUE)	RH side of dash behind glove box		01-3
X805 .. REMOVABLE SPLICE	Under LH front seat under carpet	19-2	
X816 .. CONNECTOR (2-PINS, BLACK)	Rear of engine compartment behind RH fresh air cowl		
X817 .. CONNECTOR (1-PINS, BLACK)	Rear of engine compartment behind RH fresh air cowl WITH IHKR		
X849 .. REMOVABLE SPLICE	Driver's door	32-1	
X850 .. REMOVABLE SPLICE	Driver's door	32-1	
X851 .. REMOVABLE SPLICE	Driver's door	32-1	
X904 .. CONNECTOR (4-PINS, BLACK)	Behind center of dashboard LH side of IHKR Plenum	26-1	04-3
X905 .. CONNECTOR (5-PINS, BLACK)	Behind center of dashboard		08-3
X998 .. CONNECTOR (4-PINS, BLACK)	Below center console		03-6
X999 .. CONNECTOR (4-PINS, BLACK)	Behind center of dashboard RH side of IHKR Plenum		04-3



COMPONENT LOCATION CHART

COMPONENT

PAGE - FIGURE
7100.0 8500.0

X1070 . CONNECTOR (18-PINS, BLACK)	Center console	30-2	01-5
X1071 . CONNECTOR (18-PINS, WHITE)	Center console	30-2	01-5
X1074 . CONNECTOR (15-PINS, WHITE)	Below LH side of dash	25-2	00-3
X1075 . CONNECTOR (15-PINS, BLACK)	Below LH side of dash	25-2	00-3
X1082 . CONNECTOR (9-PINS, BLACK)	Below LH side of dash		04-6
X1155 . CONNECTOR (3-PINS, BLACK)	Behind center of dashboard		01-1
X1161 . CONNECTOR (9-PINS, BLACK)	Rear LH side of engine compartment		04-6
X1162 . CONNECTOR (2-PINS, BLACK)	Rear LH side of engine compartment near brake master cylinder	12-1	
X1165 . GROUND	Below LH side of dash	05-3	
X1165 . GROUND	Below LH side of dash	22-3	
X1166 . GROUND	Below RH side of dash	05-1	
X1166 . GROUND	Below RH side of dash	26-3	
X1167 . REMOVABLE SPLICE	Under LH front seat under carpet	19-2	
X1173 . CONNECTOR (4-PINS, BLACK)	Rear LH side of engine compartment		04-4
X1178 . CONNECTOR (2-PINS, WHITE)	Center console LH side of gearshift selector		
X1181 . CONNECTOR (9-PINS, BLACK)	Below LH side of dash		04-6
X1193 . CONNECTOR (2-PINS, BLACK)	Center console RH side of gearshift selector		
X1213 . CONNECTOR (2-PINS, BLACK)	Center console	28-2	
X1222 . CONNECTOR (6-PINS, WHITE)	In RH forward side of luggage compartment	34-1	05-2
X1234 . REMOVABLE SPLICE	Under LH front seat under carpet	19-2	



COMPONENT LOCATION CHART

COMPONENT

PAGE - FIGURE
7100.0 8500.0

X1239 . CONNECTOR (2-PINS, WHITE)	Rear RH door pillar	33-2	
X1240 . CONNECTOR (2-PINS, BLACK)	LH rear door jamb	33-2	
X1241 . CONNECTOR (2-PINS, WHITE)	Below LH side of rear seat	19-3	
X1243 . CONNECTOR (6-PINS, BLACK)	Center console near gearshift lever	29-2	09-2
X1245 . CONNECTOR (1-PINS, BLACK)	In roof panel	18-3	
X1246 . CONNECTOR (1-PINS, BLACK)	In roof panel	18-1	
X1260 . CONNECTOR (1-PINS, NATURAL)			
X1261 . CONNECTOR (1-PINS, NATURAL)			
X1380 . CONNECTOR (1-PINS, NATURAL)	Behind RH footwell speaker grille		
X1381 . CONNECTOR (1-PINS, NATURAL)	Behind LH footwell kickpanel		
X1405 . CONNECTOR (1-PINS, NATURAL)	Rear LH side of engine compartment in Power Distribution Box		
X1406 . CONNECTOR (1-PINS, WHITE)	Rear LH side of engine compartment in Power Distribution Box		
X1426 . CONNECTOR (9-PINS, BROWN)	Rear RH side of engine compartment in E-Box		04-6
X6000 . CONNECTOR (88-PINS, BLACK)	Rear RH side of engine compartment in E-Box	10-3	08-1
X6002 . CONNECTOR (20-PINS, BLACK)	Back of RH side shock tower	10-1	05-4
X6101 . CONNECTOR (2-PINS, BLACK)	Top center of engine		
X6102 . CONNECTOR (2-PINS, BLACK)	Top center of engine		
X6103 . CONNECTOR (2-PINS, BLACK)	Top center of engine		
X6104 . CONNECTOR (2-PINS, BLACK)	Top center of engine		
X6105 . CONNECTOR (2-PINS, BLACK)	Top center of engine		



COMPONENT LOCATION CHART

COMPONENT

PAGE - FIGURE
7100.0 8500.0

X6106 . CONNECTOR (2-PINS, BLACK)	Top center of engine		
X6120 . CONNECTOR (2-PINS, BLACK)	LH side of engine (325i)	15-3	
X6130 . CONNECTOR (2-PINS, BLACK)	Rear of engine (318is)	13-2	
X6130 . CONNECTOR (2-PINS, BLACK)	RH front of engine (325i)	15-1	
X6151 . CONNECTOR (3-PINS, GRAY)	Top RH side of engine		09-5
X6152 . CONNECTOR (3-PINS, GRAY)	Top RH side of engine		09-5
X6153 . CONNECTOR (3-PINS, GRAY)	Top RH side of engine		09-5
X6154 . CONNECTOR (3-PINS, GRAY)	Top RH side of engine		09-5
X6155 . CONNECTOR (3-PINS, GRAY)	Top RH side of engine		09-5
X6156 . CONNECTOR (3-PINS, GRAY)	Top RH side of engine		09-5
X6200 . CONNECTOR (4-PINS, BLACK)	On RH side of transmission (318is)	08-1	04-4
X6200 . CONNECTOR (4-PINS, BLACK)	Under center of car (325i)	08-2	04-4
X6205 . CONNECTOR (2-PINS, BLACK)	LH side of engine (325i)	15-2	
X6206 . CONNECTOR (7-PINS, BLACK)	LH side of engine (325i)	15-3	05-3
X6231 . CONNECTOR (2-PINS, BLACK)	Rear of engine (318is)	13-2	
X6231 . CONNECTOR (2-PINS, BLACK)	RH front of engine (325i)	14-3	
X6232 . CONNECTOR (2-PINS, BLACK)	RH front of engine (325i)	15-1	
X6236 . CONNECTOR (2-PINS, BLACK)	RH front of engine (325i)	14-3	
X6241 . CONNECTOR (2-PINS, BLACK)	LH side of engine		
X6242 . CONNECTOR (2-PINS, BLACK)	LH side of engine		



COMPONENT LOCATION CHART

COMPONENT

PAGE - FIGURE
7100.0 8500.0

X6252 . CONNECTOR (3-PINS, BLACK)	LH side of engine on intake manifold (318is)	13-3	
X6252 . CONNECTOR (3-PINS, BLACK)	LH side of engine (325i)	15-2	09-4
X6300 . CONNECTOR (9-PINS, BLACK)	Rear LH side of engine compartment		04-6
X6301 . CONNECTOR (9-PINS, BLACK)	Rear LH side of engine compartment		04-6
X6303 . CONNECTOR (9-PINS, BLACK)	Rear LH side of engine compartment		04-6
X6454 . GROUND	Back of RH side shock tower	04-1	
X6454 . GROUND	Back of RH side shock tower	10-1	
X6456 . GROUND	RH front of engine (325i)	15-1	
X6507 . CONNECTOR (1-PINS, BLACK)	Rear RH side of engine compartment in E-Box		
X6509 . CABLE SOCKET ALTERNATOR B+	Front LH side of engine compartment below (325i)		
X6510 . CABLE SOCKET STARTER TERMINAL 50	Rear LH side of engine compartment below intake manifold		
X6511 . CABLE SOCKET ALTERNATOR TERMINAL 30h	Rear LH side of engine compartment below intake manifold		
X6512 . CABLE SOCKET STARTER TERMINAL 30h	Rear LH side of engine compartment below intake manifold		
X7509 . CABLE SOCKET ALTERNATOR TERMINAL D+	Front LH side of engine compartment below (325i)		
X8500 . CONNECTOR (55-PINS, BLACK)	Rear RH side of engine compartment in E-Box EGS A4S 310R	10-3	00-1
X8503 . CONNECTOR (10-PINS, WHITE)	Center console RH side of gearshift selector	29-2	03-3
X8507 . CONNECTOR (1-PINS, BLACK)	Below LH side of dash		
X8511 . CONNECTOR (1-PINS, BLACK)	Under front of car LH side of transmission EGS A4S 310R	07-3	
X8516 . CONNECTOR (2-PINS, BLACK)	Under center of car EGS A4S 310R	09-1	
X8521 . CONNECTOR (9-PINS, BLACK)	Under center of car above	08-3	10-1



COMPONENT LOCATION CHART

COMPONENT

PAGE - FIGURE
7100.0 8500.0

X8524	CONNECTOR (1-PINS, BLACK)	Under front of car LH side of transmission EGS A4S 310R	07-3	
X8525	CONNECTOR (3-PINS, BLACK)	Under center of car		09-4
X9744	CONNECTOR (6-PINS, BLACK)	Passenger's door	32-2	10-3
X9749	CONNECTOR (6-PINS, BLACK)	Driver's door	31-2	10-3
X9997	CONNECTOR (2-PINS, BLACK)	Behind steering wheel	21-1	
X10006	CONNECTOR (1-PINS, WHITE)	Behind glove box above	28-1	
X10010	GROUND	Below RH side of dash	05-1	
X10010	GROUND	Below RH side of dash	26-3	
X10012	GROUND	Below RH side of dash	05-1	
X10012	GROUND	Below RH side of dash	26-3	
X10031	CONNECTOR (9-PINS, BLACK)	Below LH side of dash		04-6
X10033	CONNECTOR (1-PINS, BLACK)	Top of steering column	21-3	
X10034	CONNECTOR (2-PINS, (---))	Power Distribution Box rear LH side of engine compartment		
X10035	CONNECTOR (2-PINS, (---))	Power Distribution Box rear LH side of engine compartment		
X10036	CONNECTOR (2-PINS, (---))	Power Distribution Box rear LH side of engine compartment		
X10054	CONNECTOR (12-PINS, BLACK)	Below LH side of dash RH side of steering column	26-2	03-5
X10070	CONNECTOR (2-PINS, GRAY)	Front LH side of engine compartment	17-1	
X10071	CONNECTOR (2-PINS, BLACK)	Front LH side of engine compartment	17-1	
X10074	CONNECTOR (2-PINS, BLACK)	Front RH side of engine compartment	17-3	
X10075	CONNECTOR (2-PINS, GRAY)	Front RH side of engine compartment	17-3	



COMPONENT LOCATION CHART

COMPONENT

PAGE - FIGURE
7100.0 8500.0

X13004	GROUND	In upper RH rear seatback	04-2	
X13004	GROUND	In upper RH rear seatback	20-2	
X13006	GROUND	In upper LH rear seatback	20-3	
X13009	GROUND	Below RH side of dash	05-1	
X13009	GROUND	Below RH side of dash	26-3	
X13012	CONNECTOR (26-PINS, WHITE)	Below RH side of dash	27-2	00-2
X13013	CONNECTOR (5-PINS, BLACK)	Below RH side of dash	27-2	01-4
X13014	CONNECTOR (4-PINS, BLACK)	Below RH side of dash	27-2	01-6
X13016	GROUND	Below LH side of dash	05-3	
X13016	GROUND	Below LH side of dash	22-3	
X13025	CONNECTOR (26-PINS, BLACK)	Below RH side of dash	27-3	00-2
X13026	CONNECTOR (1-PINS, BLACK)	Top of steering column	21-3	
X18049	CONNECTOR (2-PINS, GRAY)	In lower LH rear door behind trim panel		
X18080	CONNECTOR (1-PINS, (---))	In luggage compartment		
X18126	CONNECTOR (17-PINS, BLACK)	Center console behind radio	22-2	02-6
X18154	CONNECTOR (26-PINS, BLACK)			00-2
X18155	CONNECTOR (26-PINS, WHITE)	Center console	30-2	00-2
X18156	CONNECTOR (26-PINS, BLACK)	Center console	30-2	00-2
X18157	CONNECTOR (26-PINS, BLUE)	Center console on-board computer (removed)	30-3	00-2
X18180	CONNECTOR (3-PINS, WHITE)	Center console		10-5



COMPONENT LOCATION CHART

COMPONENT

PAGE - FIGURE
7100.0 8500.0

X18277	CONNECTOR (2-PINS, BLACK)	LH front door in door at key lock assembly	
X18278	CONNECTOR (2-PINS, BLACK)	RH front door in door at key lock assembly	
X18279	CONNECTOR (3-PINS, BLACK)	In lower LH front door behind trim panel	
X18280	CONNECTOR (3-PINS, BLACK)	In lower RH side of front door behind trim panel	
X18295	CONNECTOR (2-PINS, YELLOW)	In lower RH B-pillar behind trim panel	
X18296	CONNECTOR (2-PINS, YELLOW)	In lower LH B-pillar behind trim panel	
X18500	CONNECTOR (25-PINS, BLACK)			
X18507	CONNECTOR (4-PINS, BLACK)			
X18509	CONNECTOR (4-PINS, BLACK)			
X18514	CONNECTOR (4-PINS, BLACK)			
X18515	CONNECTOR (4-PINS, BLACK)			
X18741	CONNECTOR (4-PINS, BLACK)			
Y1	ABS HYDRAULIC UNIT	Rear LH side of engine compartment	
Y2	AIR CONDITIONING COMPRESSOR			
Y4	WATER VALVE ASSEMBLY	Rear LH side of engine compartment near brake master cylinder	12-2
Y5	DRIVER'S SIDE MIRROR	Driver's door	
Y6	PASSENGER'S SIDE MIRROR	Passenger's door	
Y19	SHIFT-LOCK	Center console RH side of gearshift selector	
Y6101	CYL. 1 FUEL INJECTION VALVE	Top center of engine (325i)	14-1
Y6102	CYL. 2 FUEL INJECTION VALVE	Top center of engine (325i)	14-1



COMPONENT LOCATION CHART

COMPONENT

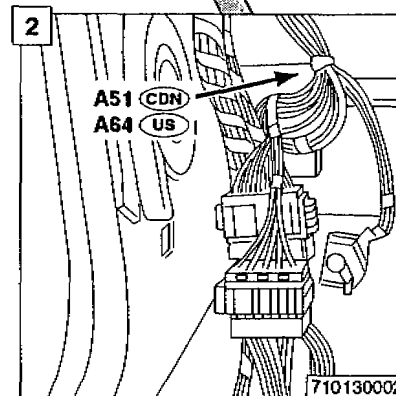
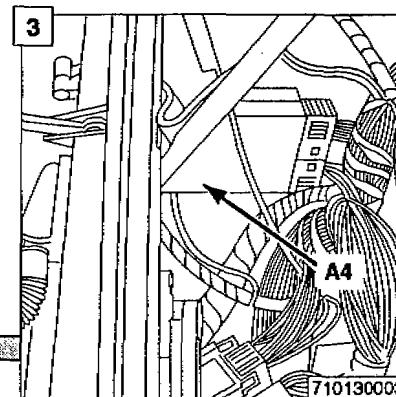
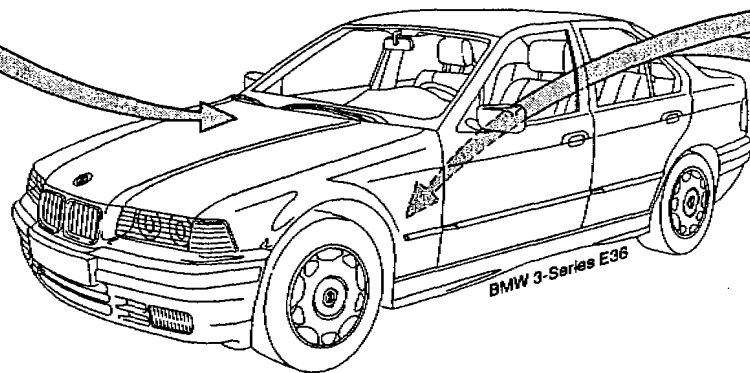
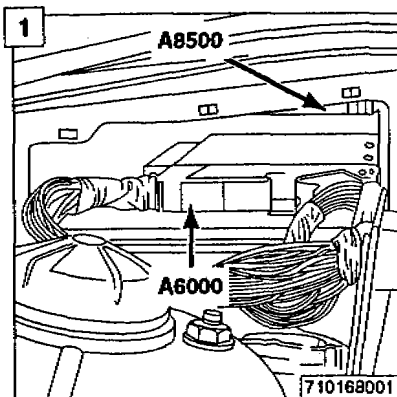
PAGE - FIGURE
7100.0 8500.0

Y6103 . CYL. 3 FUEL INJECTION VALVE	Top center of engine (325i)	14-1
Y6104 . CYL. 4 FUEL INJECTION VALVE	Top center of engine (325i)	14-1
Y6105 . CYL. 5 FUEL INJECTION VALVE	Top center of engine (325i)	14-1
Y6106 . CYL. 6 FUEL INJECTION VALVE	Top center of engine (325i)	14-1
Y6120 . EVAPORATIVE EMISSION VALVE	LH side of engine (325i)	15-3
Y6130 . IDLE SPEED CONTROL VALVE	Rear of engine (318is)	13-2
Y6130 . IDLE SPEED CONTROL VALVE	RH front of engine (325i)	15-1
Y6131 . INTAKE AIR RESONANCE CHANGE OVER VALVE	Rear LH side of engine compartment	
Y8505 . TRANSMISSION VALVE UNIT	Under center of car EGS A4S 310R	08-3



COMPONENT LOCATION VIEWS

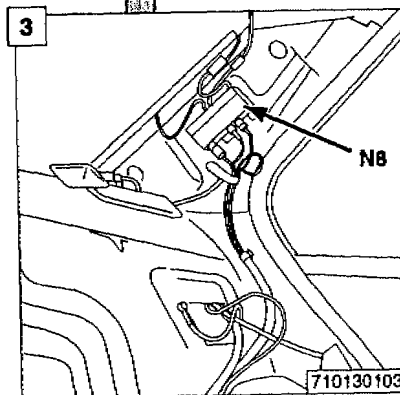
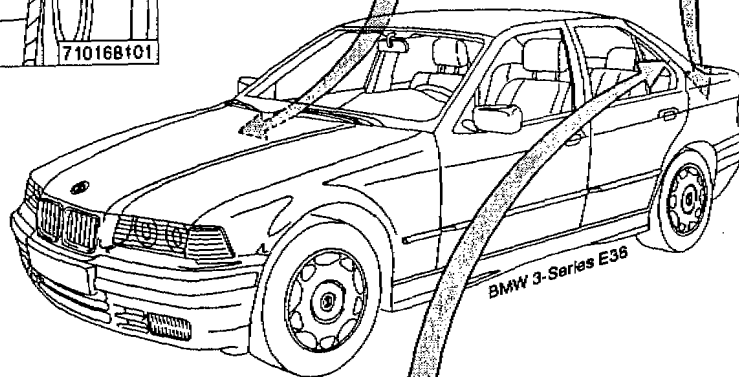
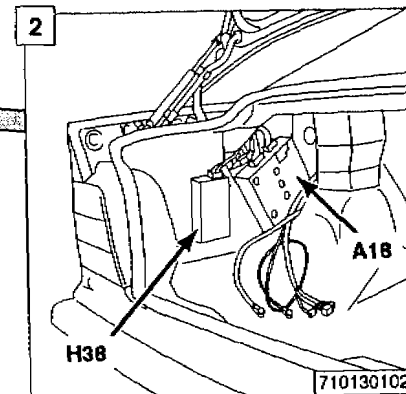
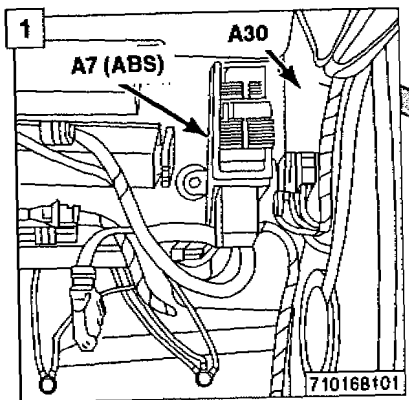
ELECTRICAL CONTROL MODULE LOCATIONS





COMPONENT LOCATION VIEWS

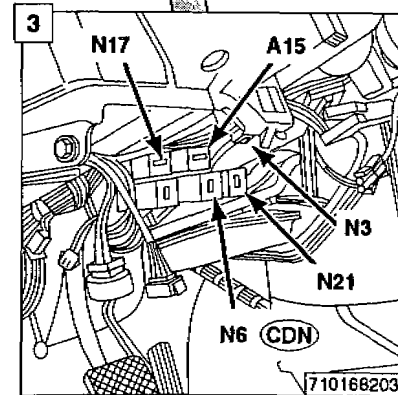
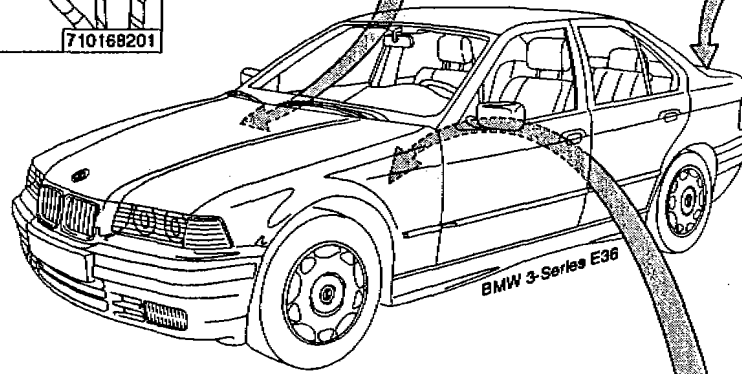
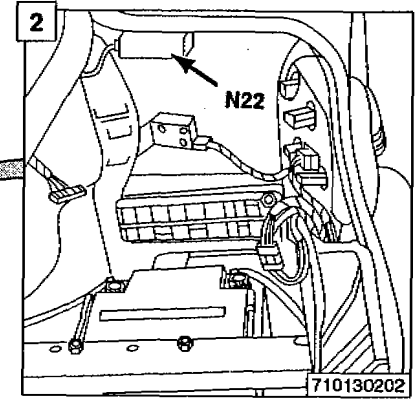
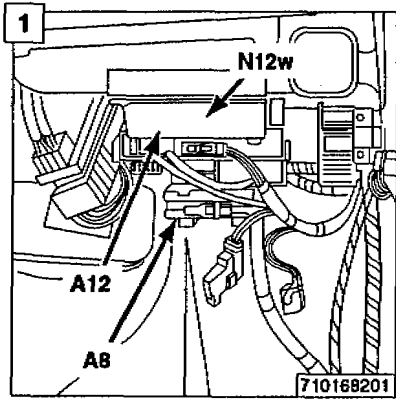
ELECTRICAL CONTROL MODULE LOCATIONS





COMPONENT LOCATION VIEWS

ELECTRICAL CONTROL MODULE LOCATIONS

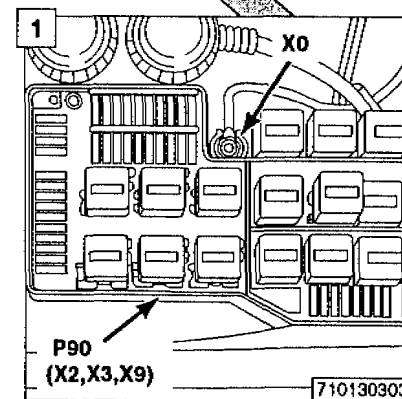
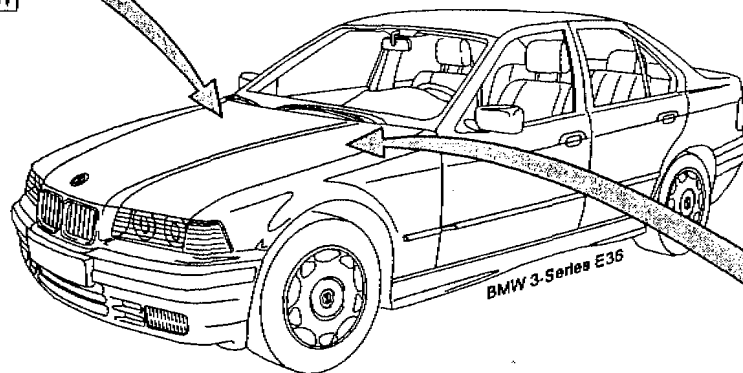
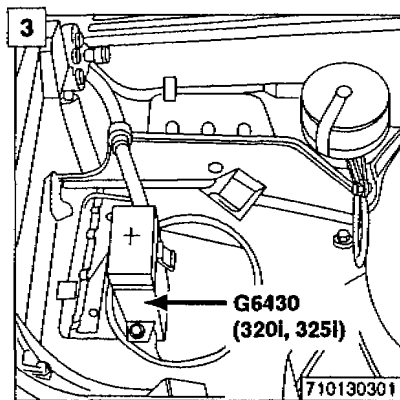




COMPONENT LOCATION VIEWS

B(+)

G6430
P90
X0
X2
X3
X9

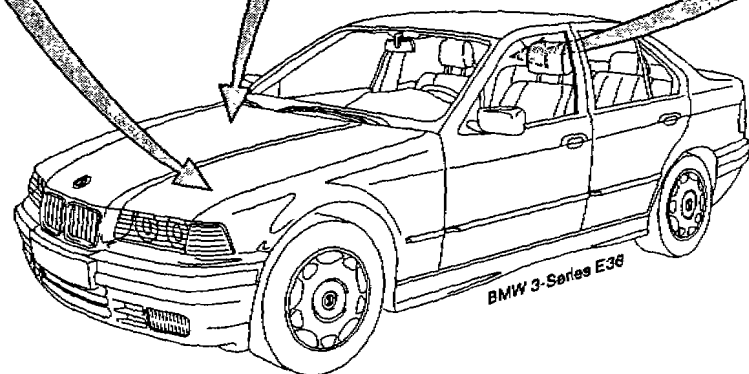
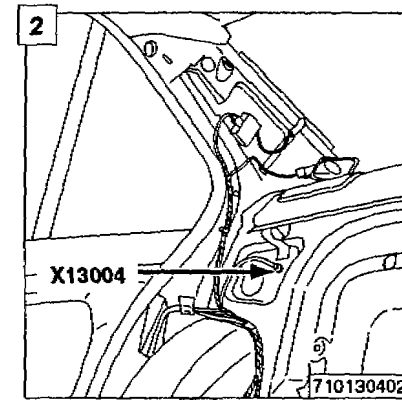
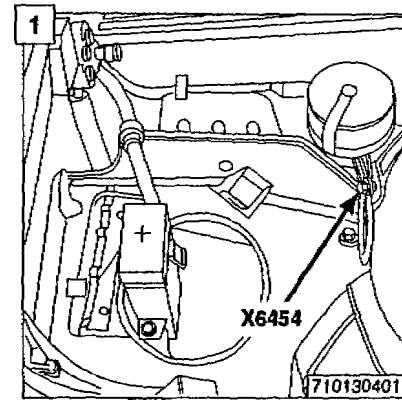
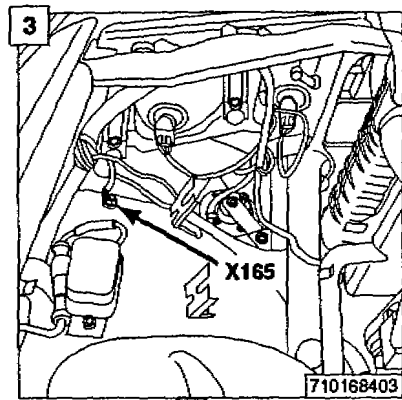




COMPONENT LOCATION VIEWS

B(-)

X165
X6454
X13004

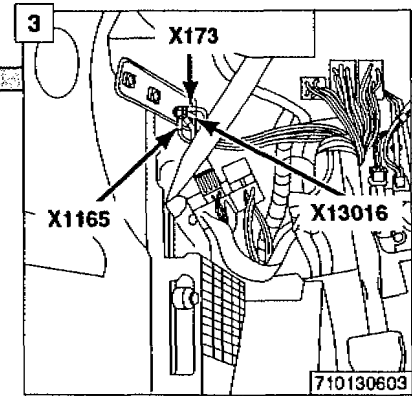
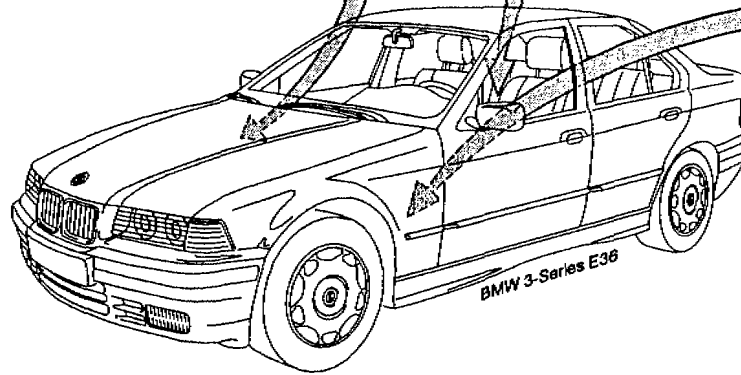
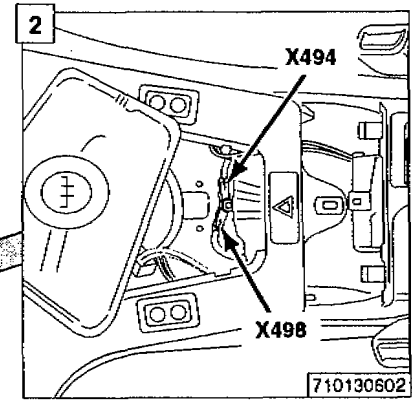
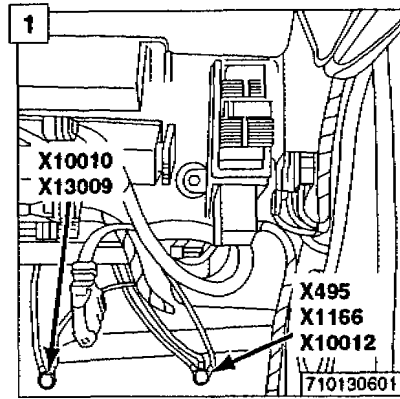


BMW 3-Series E36

COMPONENT LOCATION VIEWS

B(-)

- X173
- X494
- X495
- X498
- X1165
- X1166
- X10010
- X10012
- X13009
- X13016



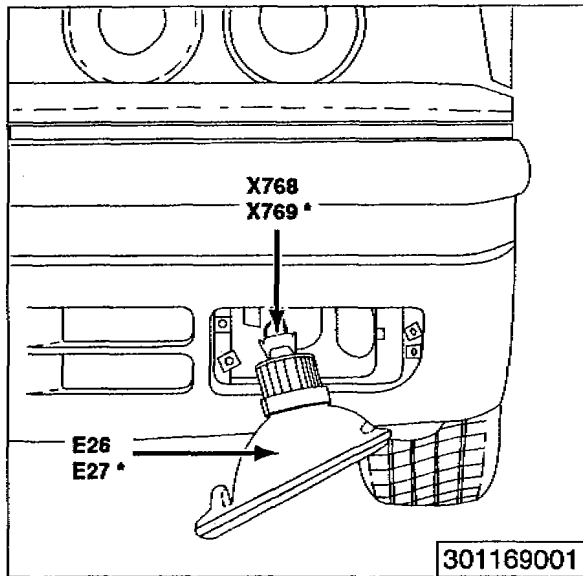


FIG. 1 - Under LH front bumper (*RH similar)

- E26** LEFT FOG LIGHT
- E27** RIGHT FOG LIGHT
- X768** CONNECTOR (2-PINS, WHITE)
- X769** CONNECTOR (2-PINS, WHITE)

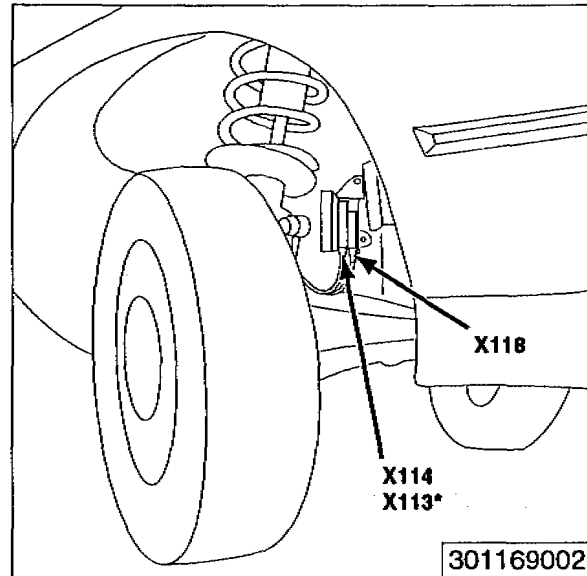


FIG. 2 - Behind LH front wheel (*RH similar)

- X113** CONNECTOR (2-PINS, GRAY)
- X114** CONNECTOR (2-PINS, GRAY)
- X118** CONNECTOR (2-PINS, BLACK)

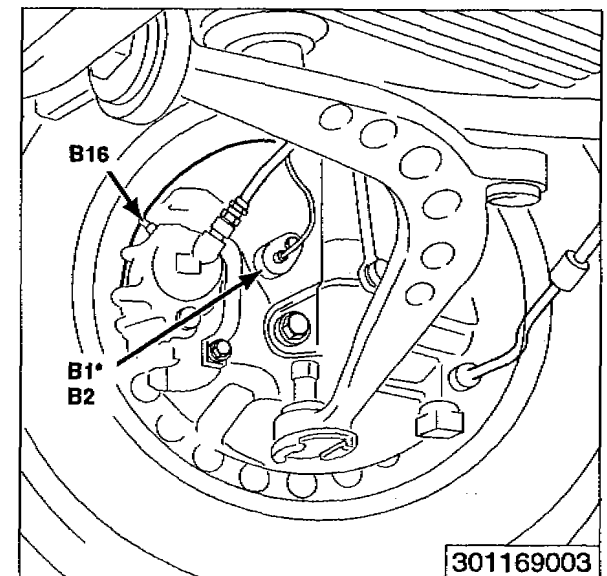


FIG. 3 - On LH front wheel, above brake caliper (*RH similar)

- B1** RIGHT FRONT SPEED SENSOR - ABS
- B2** LEFT FRONT SPEED SENSOR - ABS
- B16** LEFT FRONT BRAKE PAD SENSOR



COMPONENT LOCATION VIEWS

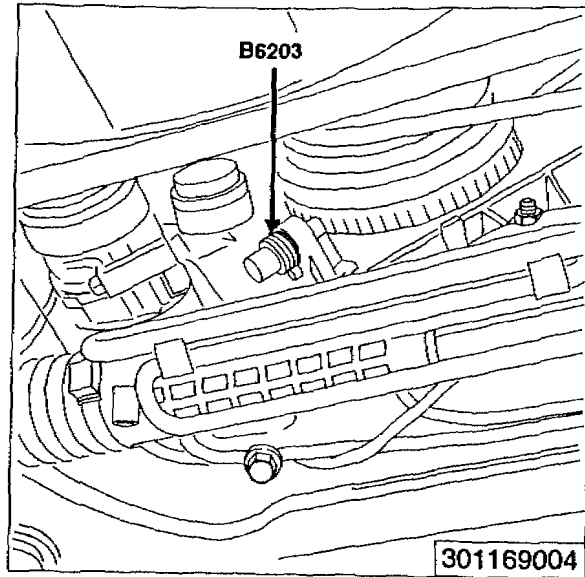


FIG 1 - Under front of car rear of radiator (325i)

B6203 CRANKSHAFT POSITION/RPM SENSOR

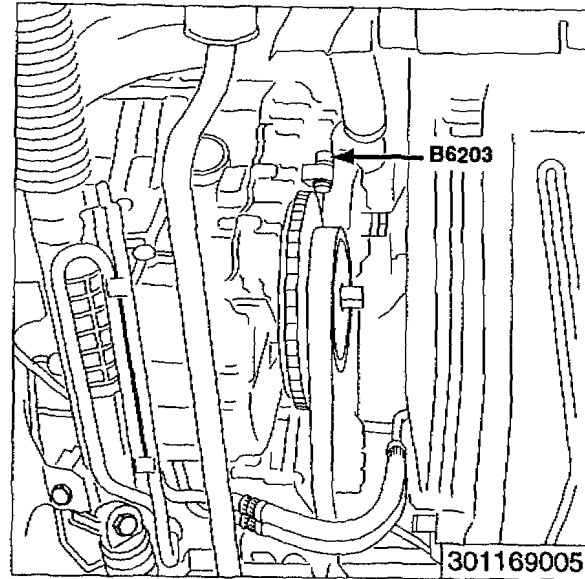


FIG 2 - Under RH front of car rear of radiator (318is)

B6203 CRANKSHAFT POSITION/RPM SENSOR

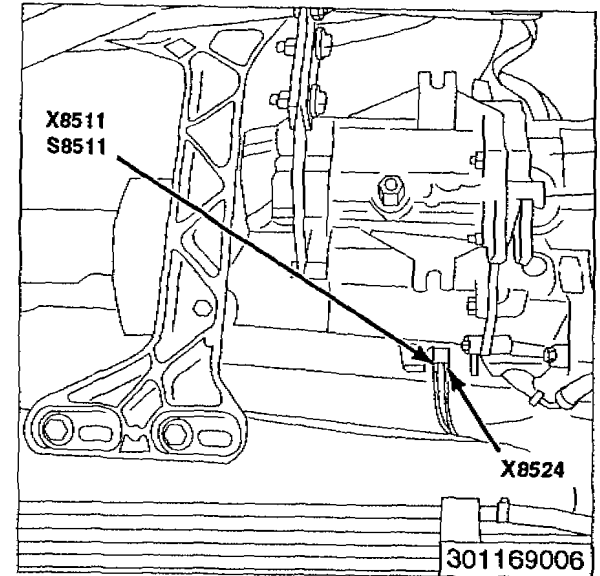


FIG 3 - LH side of transmission EGS A4S 310R

**S8511 REVERSING LIGHT SWITCH
X8511 CONNECTOR (1-PINS, BLACK)
X8524 CONNECTOR (1-PINS, BLACK)**

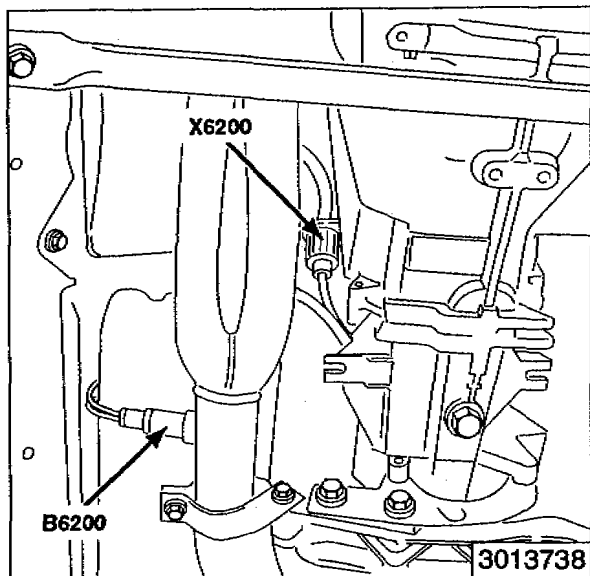


FIG. 1 - On RH side of transmission (318is)

- B6200 HEATED OXYGEN SENSOR**
- X6200 CONNECTOR (4-PINS, BLACK)**

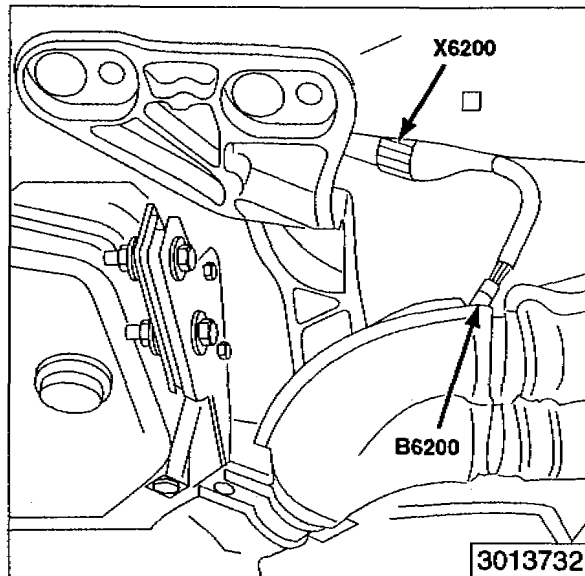


FIG. 2 - Under center of car (325i)

- B6200 HEATED OXYGEN SENSOR**
- X6200 CONNECTOR (4-PINS, BLACK)**

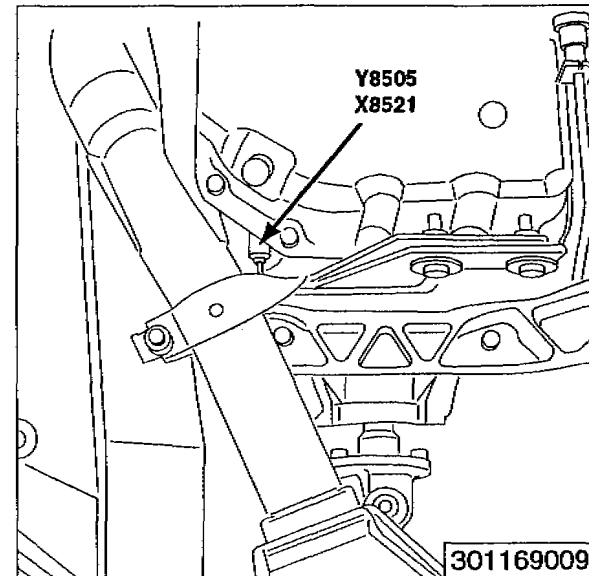


FIG. 3 - LH side of transmission EGS A4S 310R

- X8521 CONNECTOR (9-PINS, BLACK)**
- Y8505 TRANSMISSION VALVE UNIT**



COMPONENT LOCATION VIEWS

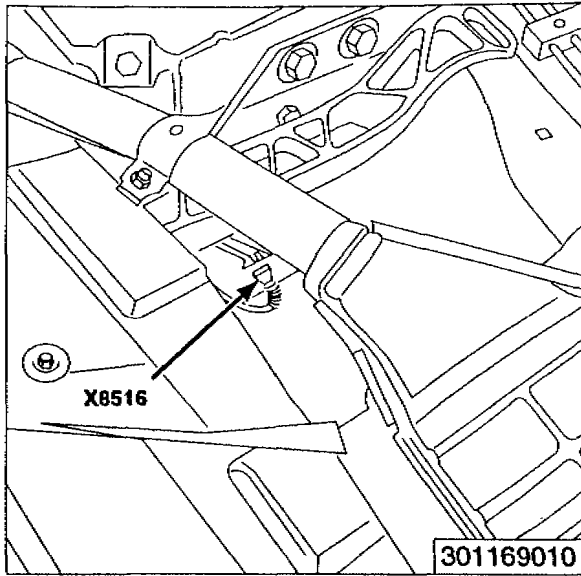


FIG. 1 - Under center of car EGS A4S 310R

X8516 CONNECTOR (2-PINS, BLACK)

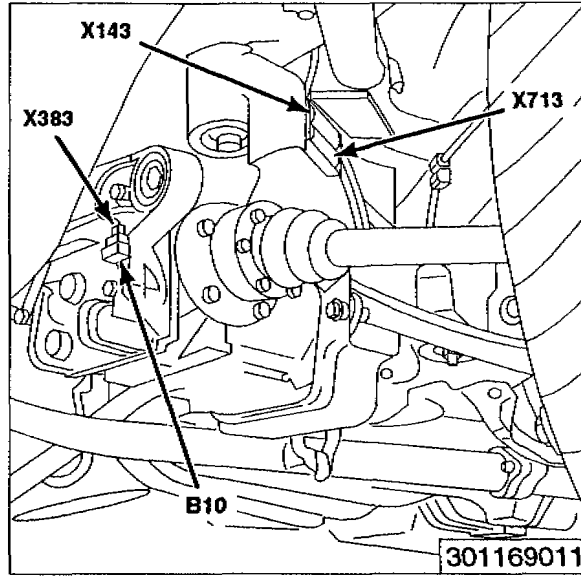


FIG. 2 - Under rear of car on differential

B10 VEHICLE SPEED SENSOR
X143 CONNECTOR (3-PINS, GRAY)
X383 CONNECTOR (2-PINS, BLACK)
X713 CONNECTOR (2-PINS, BLACK)

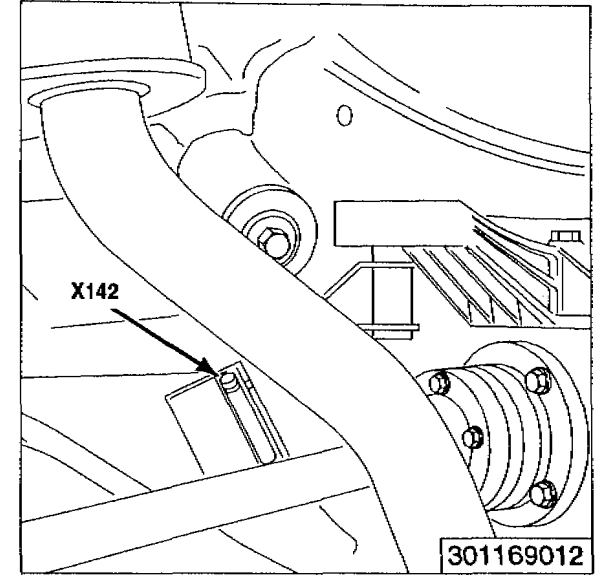


FIG. 3 - Under rear of car on differential

X142 CONNECTOR (3-PINS, GRAY)

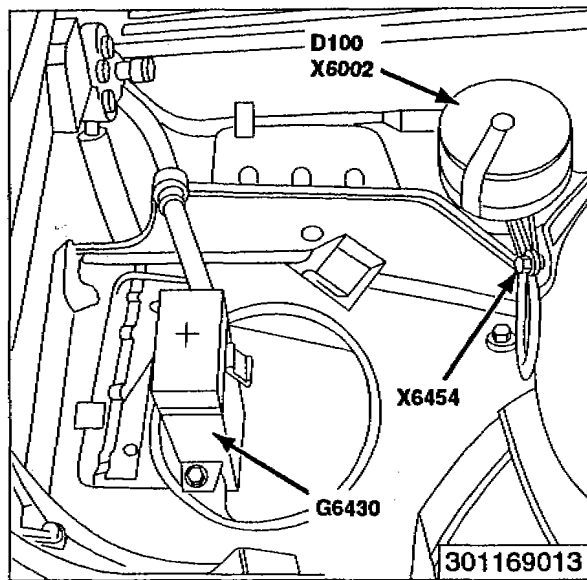


FIG. 1 - Back of RH side shock tower

- D100 DATA LINK CONNECTOR**
- G6430 B+ JUMP START JUNCTION POINT**
- X6002 CONNECTOR (20-PINS, BLACK)**
- X6454 GROUND**

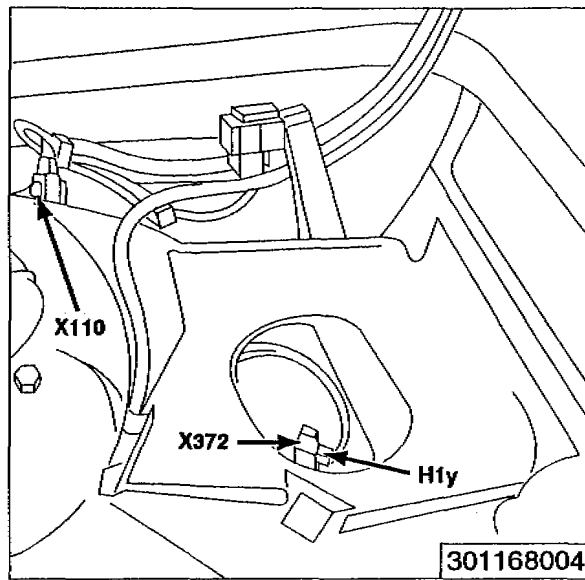


FIG. 2 - Back of RH side shock tower

- H1y ANTI-THEFT HORN**
- X110 CONNECTOR (2-PINS, GRAY)**
- X372 CONNECTOR (2-PINS, GRAY)**

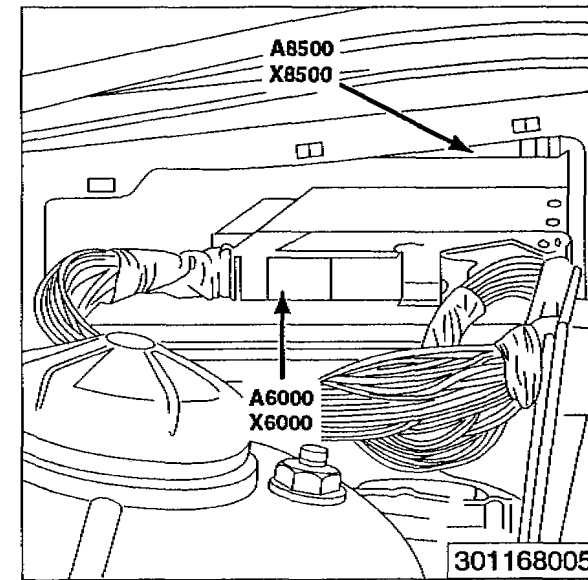


FIG. 3 - Rear RH side of engine compartment in E-Box

- A6000 ENGINE CONTROL MODULE (DME)**
- A8500 TRANSMISSION CONTROL MODULE (EGS)**
- X6000 CONNECTOR (88-PINS, BLACK)**
- X8500 CONNECTOR (55-PINS, BLACK)**



COMPONENT LOCATION VIEWS

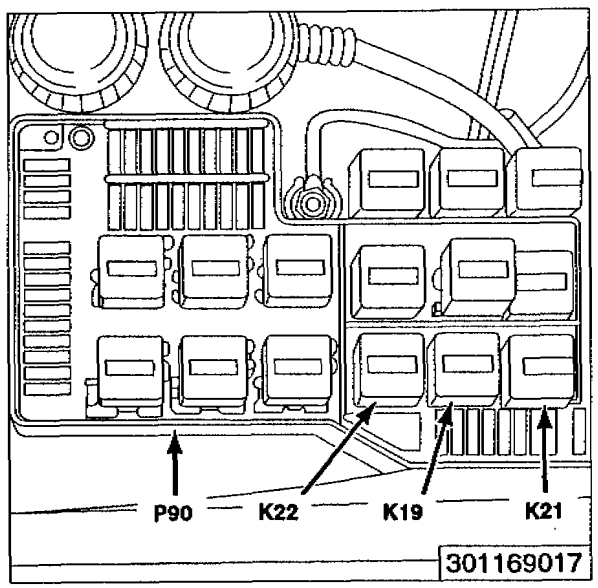


FIG. 1 - Rear LH side of engine compartment in Power Distribution Box

- K19 COMPRESSOR CONTROL RELAY**
- K21 NORMAL SPEED RELAY**
- K22 HIGH SPEED RELAY**
- P90 FRONT POWER DISTRIBUTION BOX**

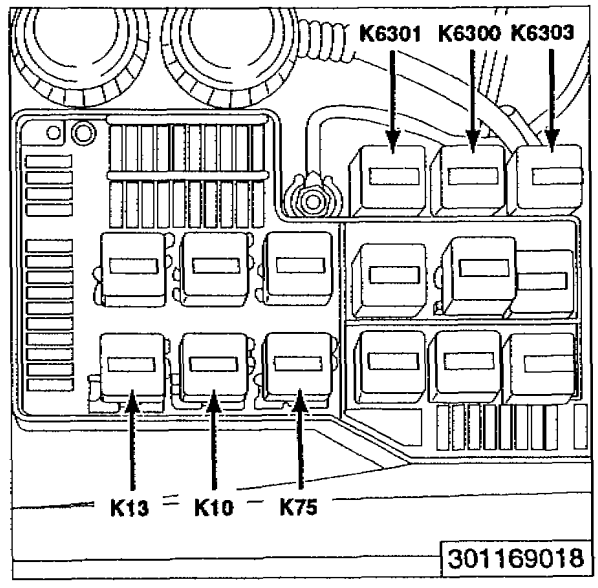


FIG. 2 - Rear LH side of engine compartment in Power Distribution Box

- K10 ABS RELAY**
- K13 REAR DEFOGGER RELAY**
- K75 ABS PUMP MOTOR RELAY**
- K6300 ENGINE CONTROL MODULE RELAY**
- K6301 CYL. 1-6 FUEL PUMP RELAY**
- K6303 OXYGEN SENSOR RELAY**

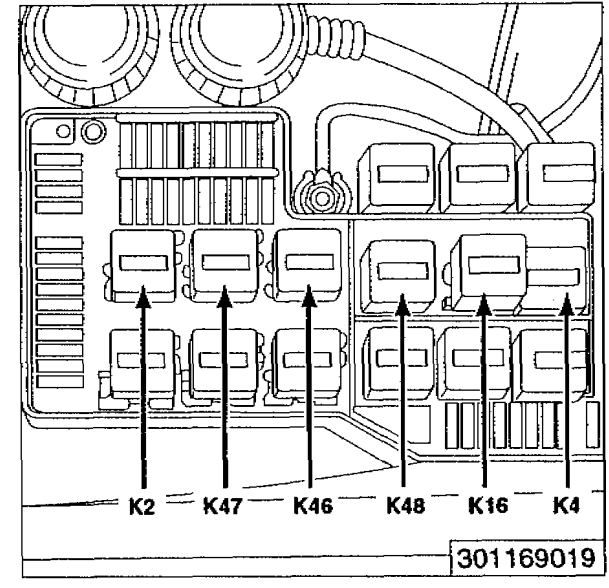


FIG. 3 - Rear LH side of engine compartment in Power Distribution Box

- K2 HORN RELAY**
- K4 BLOWER RELAY**
- K16 HAZARD FLASHER RELAY**
- K46 HIGH BEAM LIGHT RELAY**
- K47 FRONT FOG LIGHT RELAY**
- K48 LOW BEAM LIGHT RELAY**

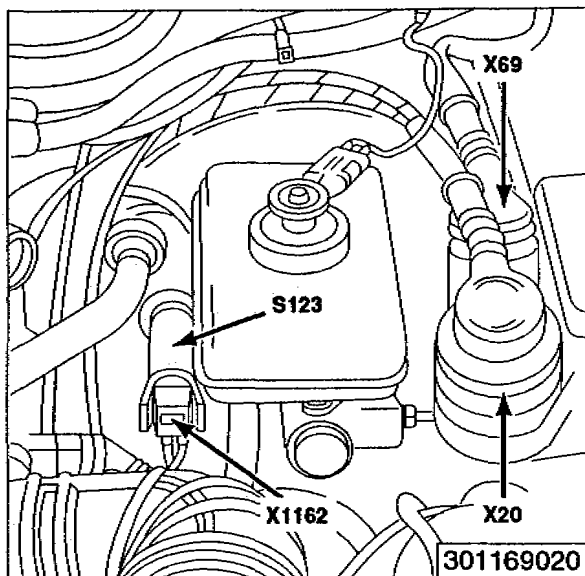


FIG. 1 - Rear LH side of engine compartment

- S123 ABS PEDAL TRAVEL SENSOR**
- X20 CONNECTOR (25-PINS, BLACK)**
- X69 CONNECTOR (25-PINS, BLACK)**
- X1162 CONNECTOR (2-PINS, BLACK)**

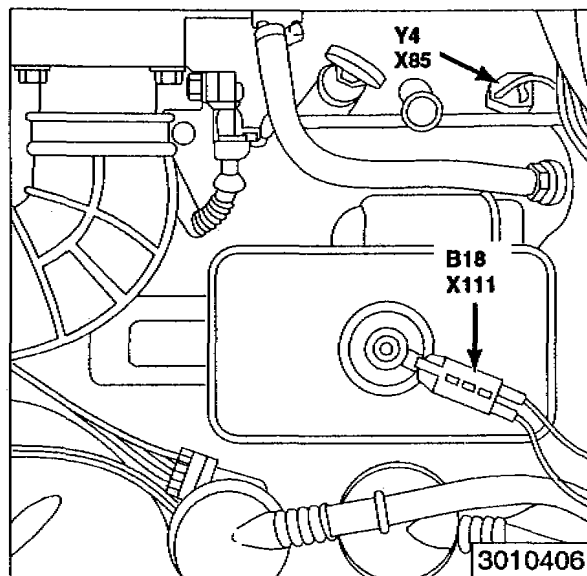


FIG. 2 - Rear LH side of engine compartment near brake master cylinder

- B18 BRAKE FLUID LEVEL SWITCH**
- X85 CONNECTOR (3-PINS, BLACK)**
- X111 CONNECTOR (2-PINS, BLACK)**
- Y4 WATER VALVE ASSEMBLY**

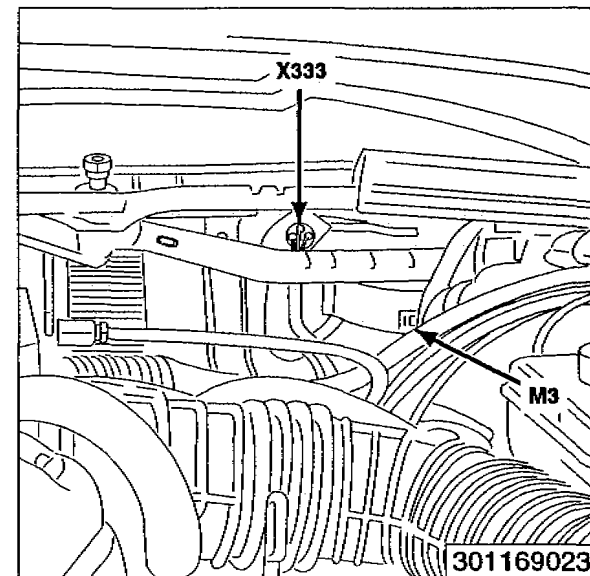


FIG. 3 - Rear of engine compartment left

- M3 WIPER MOTOR**
- X333 CONNECTOR (4-PINS, BLACK)**

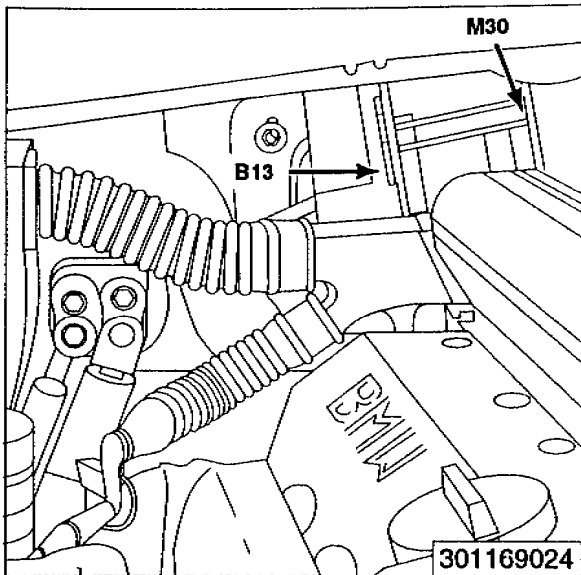


FIG. 1 - Rear of engine compartment behind RH fresh air cowl

- B13 OUTSIDE TEMPERATURE SENSOR**
- M30 BLOWER MOTOR**

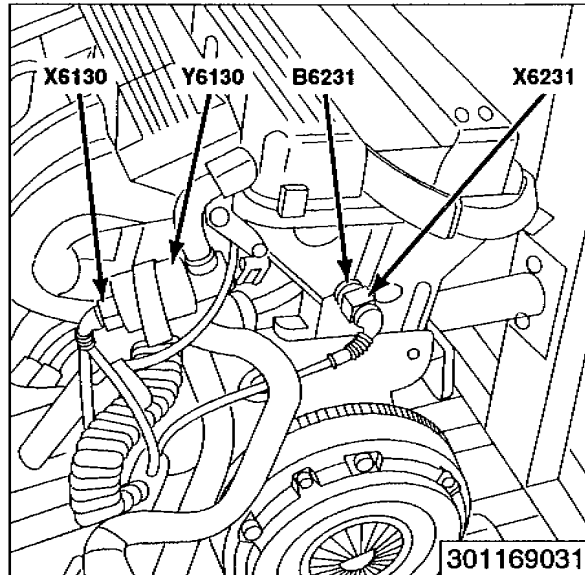


FIG. 2 - Rear of engine (318is)

- B6231 OIL PRESSURE SWITCH**
- X6130 CONNECTOR (2-PINS, BLACK)**
- X6231 CONNECTOR (2-PINS, BLACK)**
- Y6130 IDLE SPEED CONTROL VALVE**

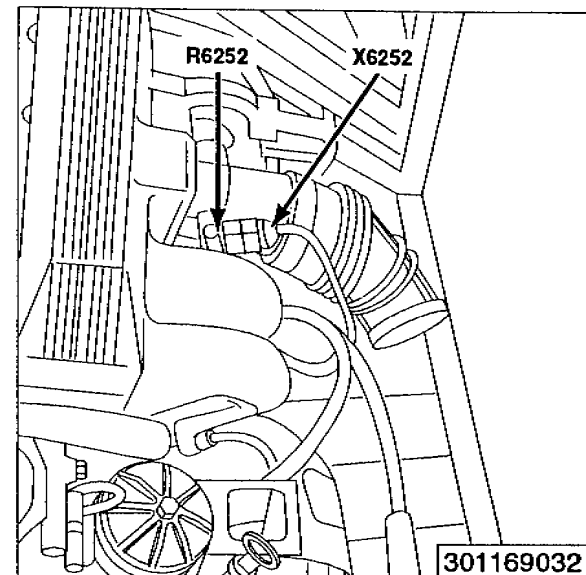


FIG. 3 - LH side of engine (318is)

- R6252 THROTTLE POSITION SENSOR**
- X6252 CONNECTOR (3-PINS, BLACK)**

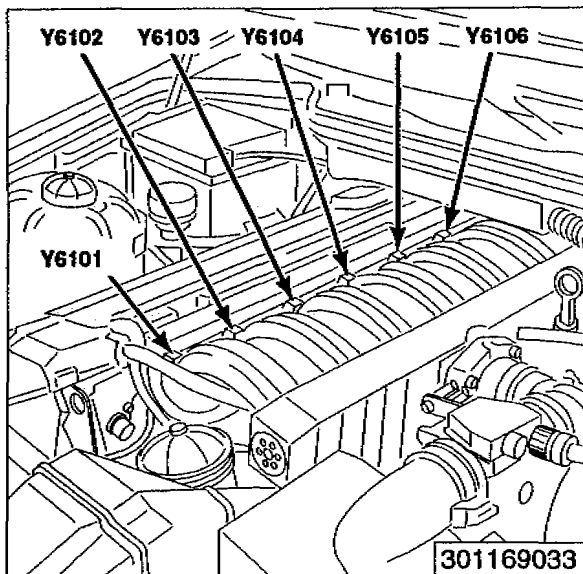


FIG. 1 - Top center of engine (325i)

- Y6101 CYL. 1 FUEL INJECTION VALVE
- Y6102 CYL. 2 FUEL INJECTION VALVE
- Y6103 CYL. 3 FUEL INJECTION VALVE
- Y6104 CYL. 4 FUEL INJECTION VALVE
- Y6105 CYL. 5 FUEL INJECTION VALVE
- Y6106 CYL. 6 FUEL INJECTION VALVE

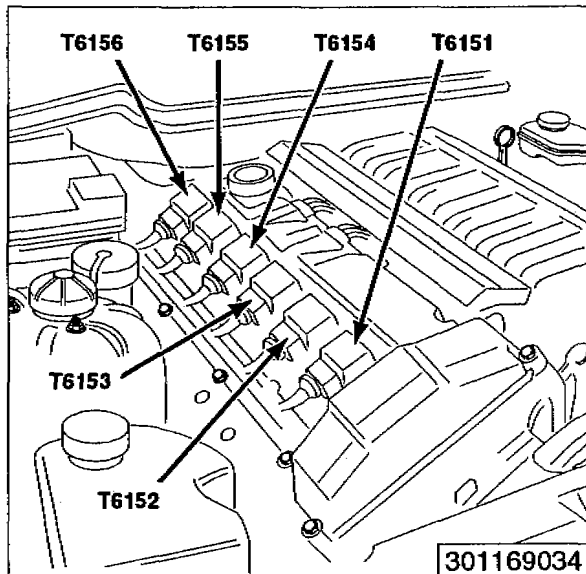


FIG. 2 - Top RH side of engine (325i)

- T6151 CYL. 1 IGNITION COIL
- T6152 CYL. 2 IGNITION COIL
- T6153 CYL. 3 IGNITION COIL
- T6154 CYL. 4 IGNITION COIL
- T6155 CYL. 5 IGNITION COIL
- T6156 CYL. 6 IGNITION COIL

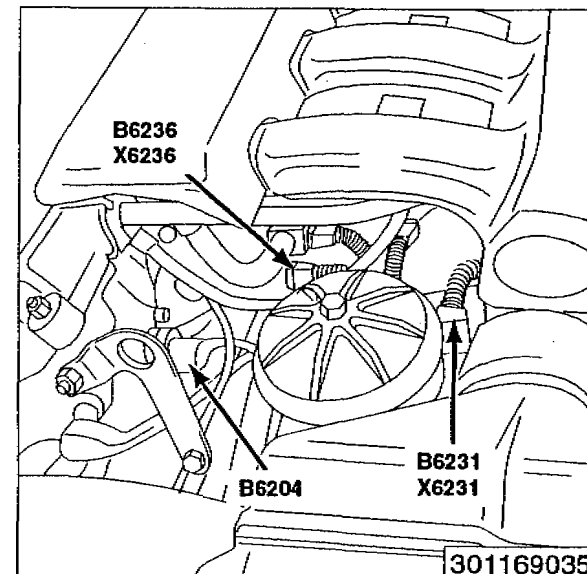


FIG. 3 - RH front of engine (325i)

- B6231 OIL PRESSURE SWITCH
- B6204 CAMSHAFT POSITION SENSOR (CYLINDER IDENTIFICATION)
- B6236 ENGINE COOLANT TEMPERATURE SENSOR
- X6231 CONNECTOR (2-PINS, BLACK)
- X6236 CONNECTOR (2-PINS, BLACK)

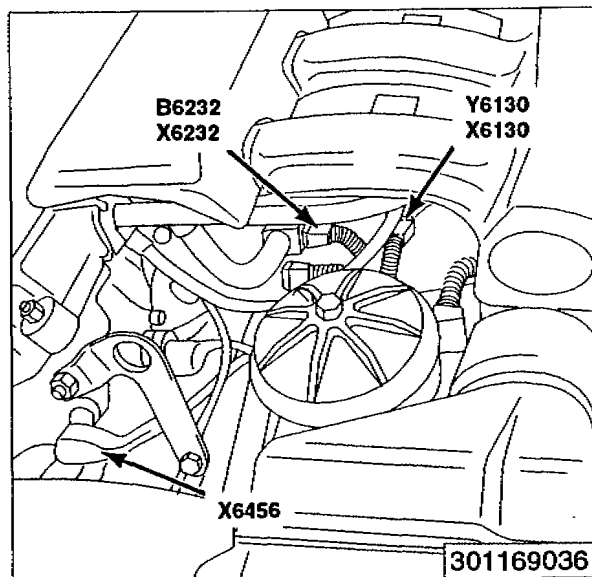


FIG. 1 - RH front of engine (325i)

- B6232 ENGINE COOLANT TEMPERATURE SENSOR**
- X6130 CONNECTOR (2-PINS, BLACK)**
- X6232 CONNECTOR (2-PINS, BLACK)**
- X6456 GROUND**
- Y6130 IDLE SPEED CONTROL VALVE**

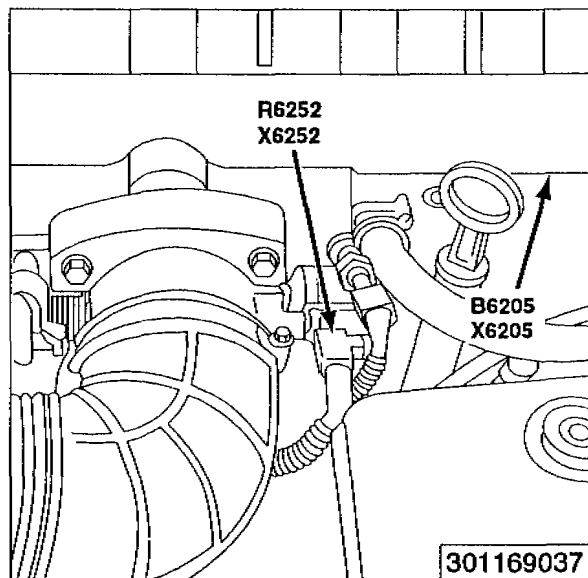


FIG. 2 - LH side of engine (325i)

- B6205 INTAKE AIR TEMPERATURE SENSOR**
- R6252 THROTTLE POSITION SENSOR**
- X6205 CONNECTOR (2-PINS, BLACK)**
- X6252 CONNECTOR (3-PINS, BLACK)**

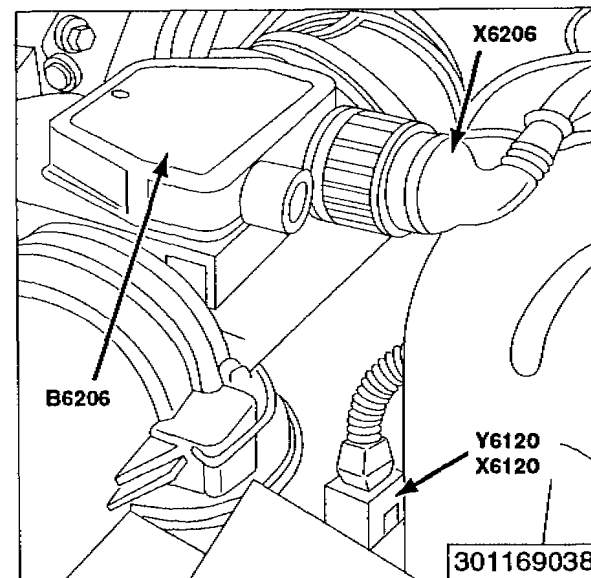


FIG. 3 - LH side of engine (325i)

- B6206 MASS AIR FLOW SENSOR**
- X6120 CONNECTOR (2-PINS, BLACK)**
- X6206 CONNECTOR (7-PINS, BLACK)**
- Y6120 EVAPORATIVE EMISSION VALVE**

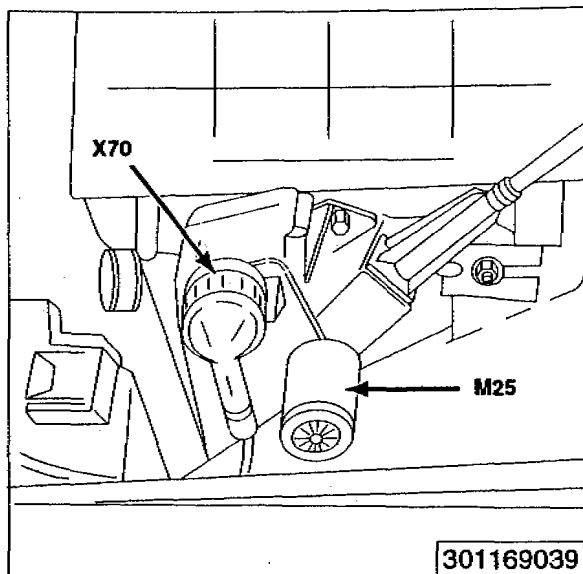


FIG. 1 - Front LH side of engine compartment

- M25 CRUISE CONTROL ACTUATOR (TEMPOMAT)**
- X70 CONNECTOR (8-PINS, BLACK)**

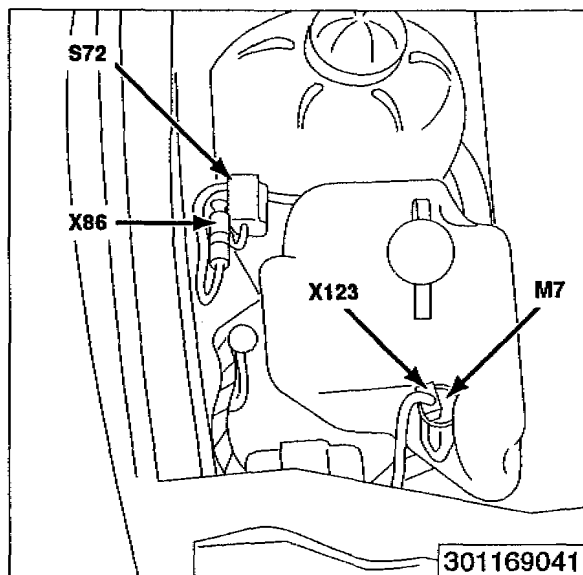


FIG. 2 - Front RH side of engine compartment washer fluid reservoir with intensive wash

- M7 HEADLIGHT/FOG LIGHT WASHER PUMP**
- S72 RIGHT FRONT IMPACT SENSOR**
- X86 CONNECTOR (3-PINS, ORANGE)**
- X123 CONNECTOR (2-PINS, GRAY)**

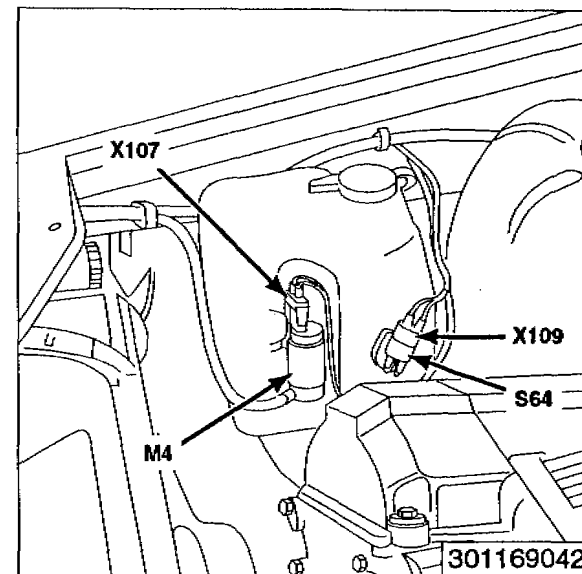


FIG. 3 - Front RH side of engine compartment on washer fluid reservoir

- M4 WASHER PUMP**
- S64 WASHER FLUID LEVEL SWITCH**
- X107 CONNECTOR (2-PINS, GRAY)**
- X109 CONNECTOR (2-PINS, GRAY)**

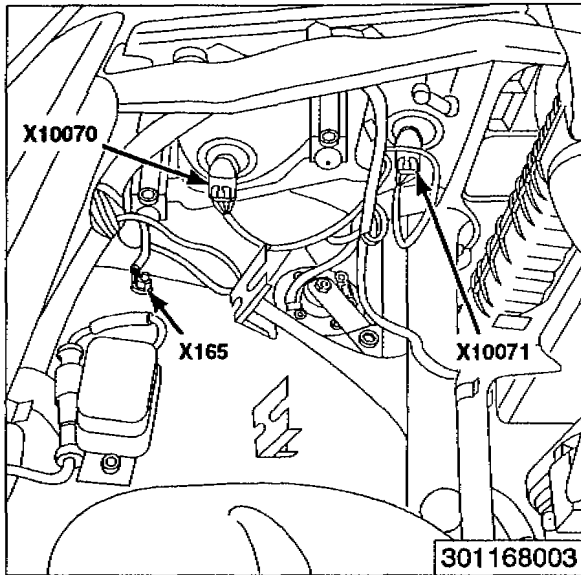


FIG. 1 - Front LH side of engine compartment

- X165 GROUND**
- X10070 CONNECTOR (2-PINS, GRAY)**
- X10071 CONNECTOR (2-PINS, BLACK)**

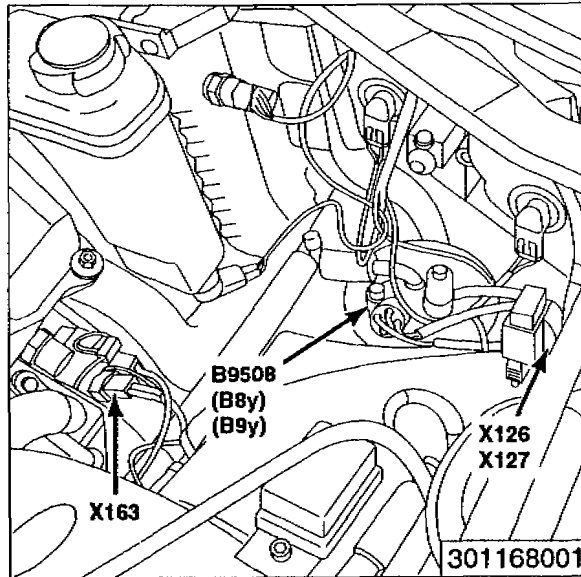


FIG. 2 - Front RH side of engine compartment

- B8y PRESSURE SWITCH**
- B9y PRESSURE SWITCH**
- B9508 PRESSURE SWITCH**
- X126 CONNECTOR (2-PINS, BLACK)**
- X127 CONNECTOR (2-PINS, BLACK)**
- X163 CONNECTOR (3-PINS, BLACK)**

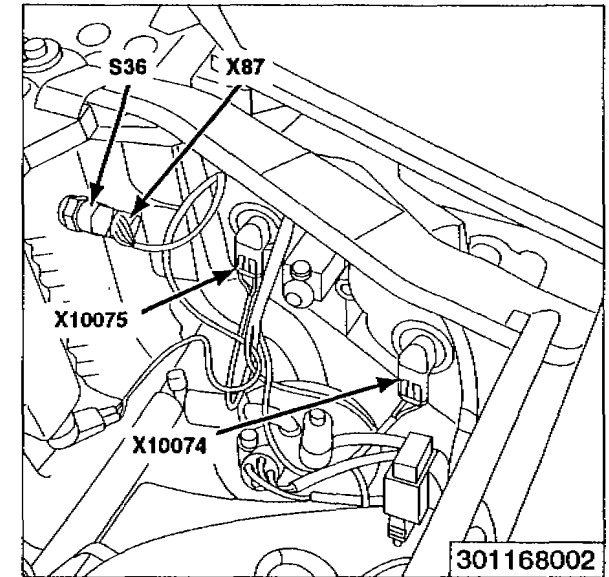


FIG. 3 - Front RH side of engine compartment

- S36 TEMPERATURE SWITCH**
- X87 CONNECTOR (3-PINS, BLACK)**
- X10074 CONNECTOR (2-PINS, BLACK)**
- X10075 CONNECTOR (2-PINS, GRAY)**

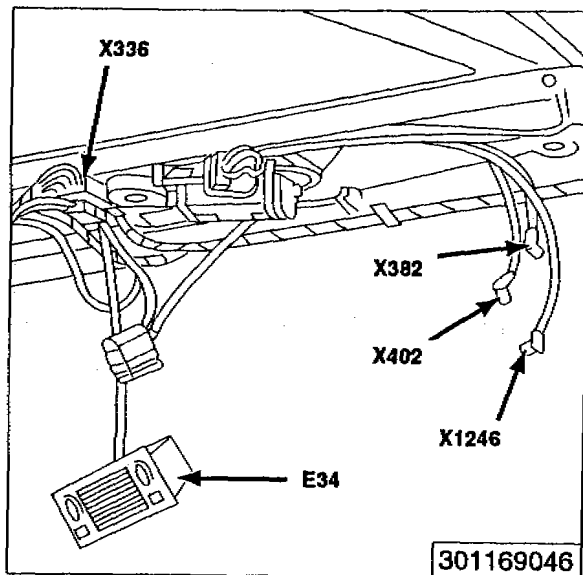


FIG. 1 - In roof panel

- E34** FRONT DOME LIGHT/MAP READING ASSEMBLY
- X382** CONNECTOR (3-PINS, BLACK)
- X336** CONNECTOR (6-PINS, WHITE)
- X402** CONNECTOR (1-PINS, BLACK)
- X1246** CONNECTOR (1-PINS, BLACK)

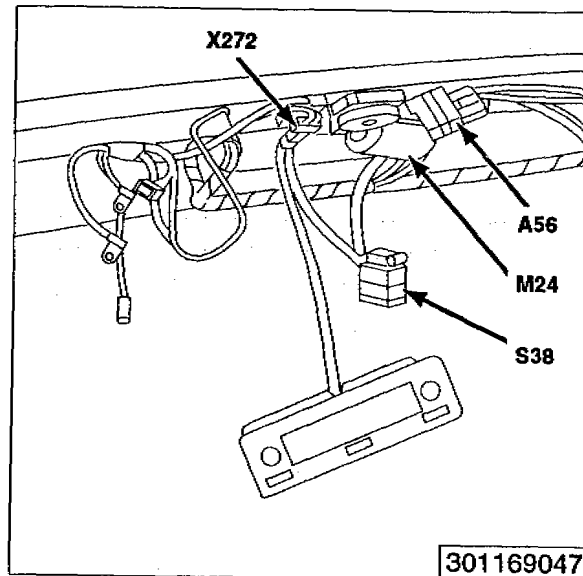


FIG. 2 - In roof panel

- A56** SUNROOF CONTROL ASSEMBLY
- M24** SUNROOF MOTOR
- S38** SUNROOF SWITCH
- X272** CONNECTOR (2-PINS, BLACK)

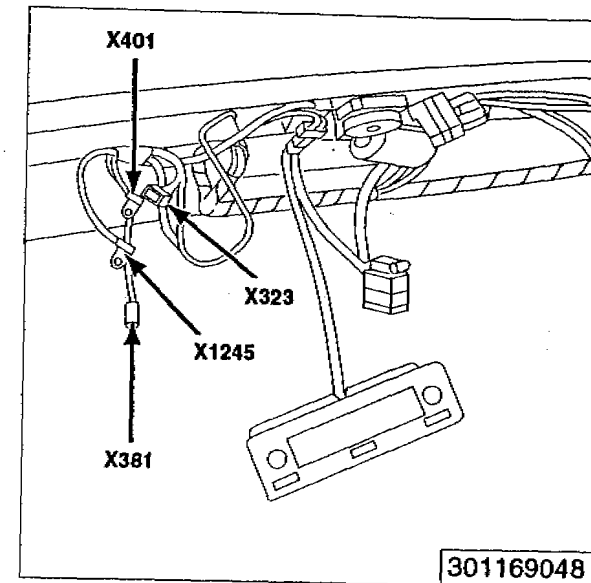


FIG. 3 - In roof panel

- X323** CONNECTOR (6-PINS, WHITE)
- X381** CONNECTOR (3-PINS, BLACK)
- X401** CONNECTOR (1-PINS, BLACK)
- X1245** CONNECTOR (1-PINS, BLACK)

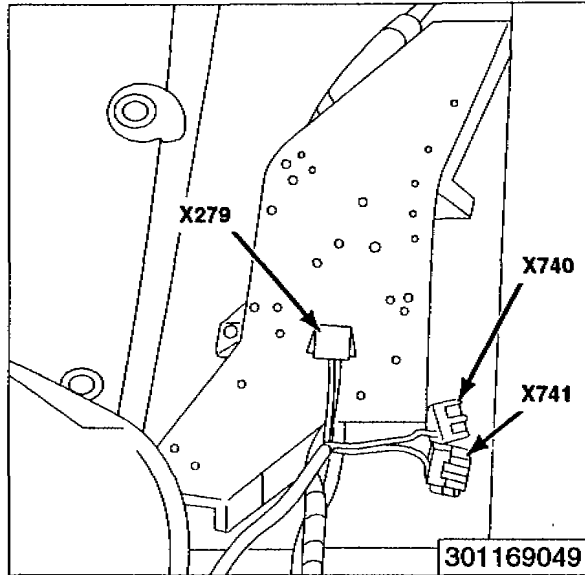


FIG. 1 - Under RH front seat

- X279 CONNECTOR (4-PINS, WHITE)**
- X740 CONNECTOR (4-PINS, BLACK)**
- X741 CONNECTOR (4-PINS, BLACK)**

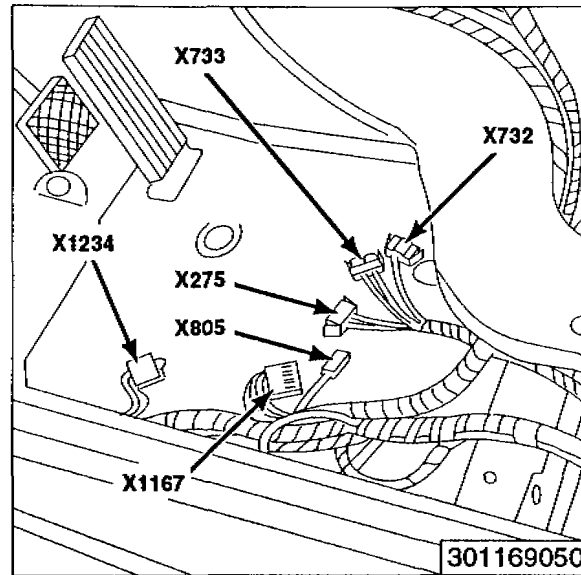


FIG. 2 - Under LH front seat under carpet

- X275 CONNECTOR (4-PINS, WHITE)**
- X732 CONNECTOR (4-PINS, BLACK)**
- X733 CONNECTOR (4-PINS, BLACK)**
- X805 REMOVABLE SPLICE**
- X1167 REMOVABLE SPLICE**
- X1234 REMOVABLE SPLICE**

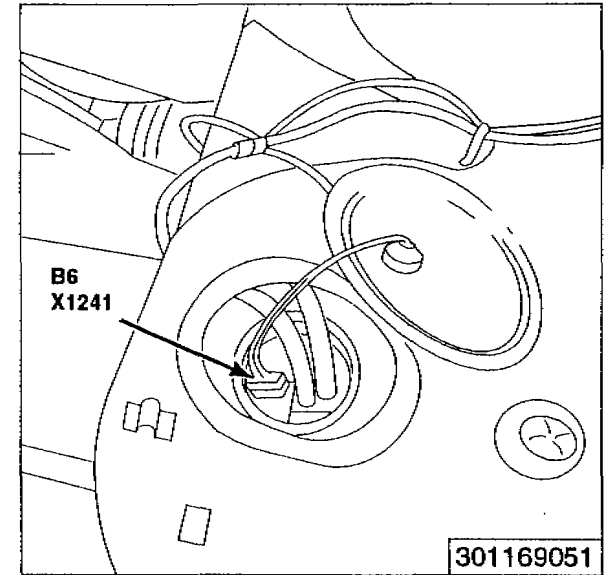


FIG. 3 - Below LH side of rear seat

- B6 FUEL LEVEL SENSOR**
- X1241 CONNECTOR (2-PINS, WHITE)**

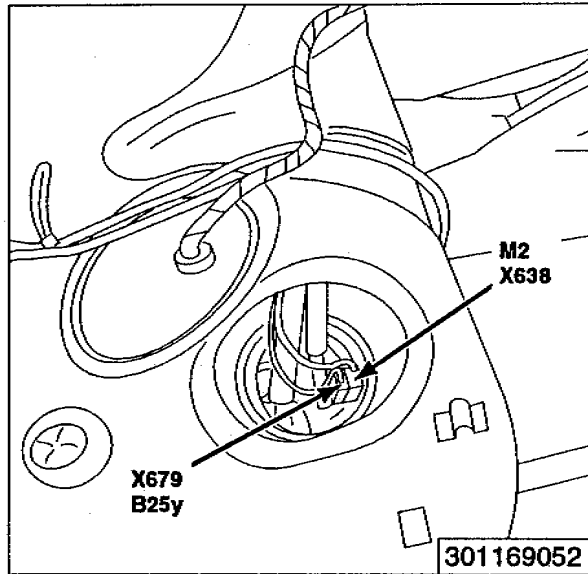


FIG. 1 - Below RH side of rear seat

- B25y FUEL TANK SENSOR II**
- M2 FUEL PUMP**
- X638 CONNECTOR (2-PINS, BLACK)**
- X679 CONNECTOR (2-PINS, WHITE)**

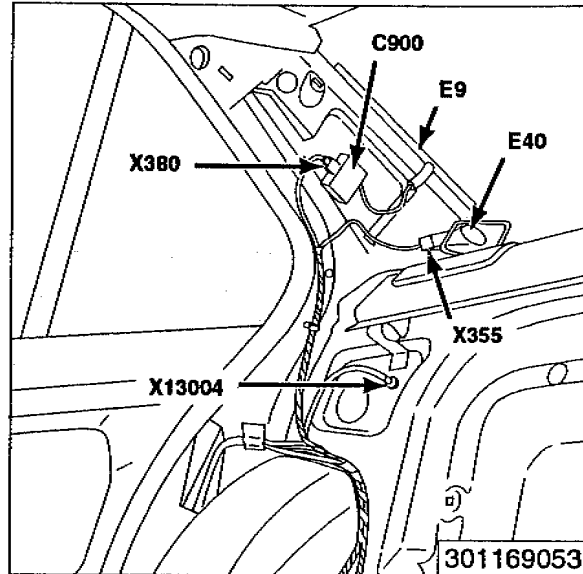


FIG. 2 - In lower RH C-pillar

- C900 SUPPRESSION FILTER**
- E9 REAR DEFOGGER I**
- E40 RIGHT REAR INTERIOR LIGHT**
- X355 CONNECTOR (2-PINS, BLACK)**
- X380 CONNECTOR (1-PINS, NATURAL)**
- X13004 GROUND**

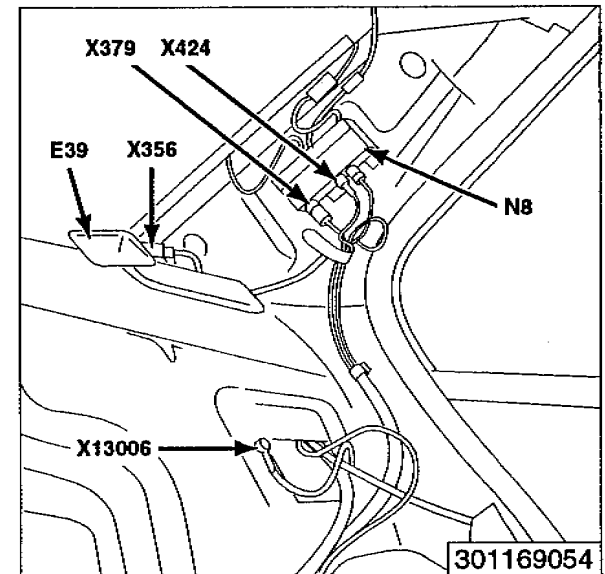


FIG. 3 - In lower LH C-pillar

- E39 LEFT REAR INTERIOR LIGHT**
- N8 ANTENNA AMPLIFIER AM/FM**
- X356 CONNECTOR (2-PINS, BLACK)**
- X379 CONNECTOR (1-PINS, NATURAL)**
- X424 CONNECTOR (1-PINS, BROWN)**
- X13006 GROUND**



COMPONENT LOCATION VIEWS

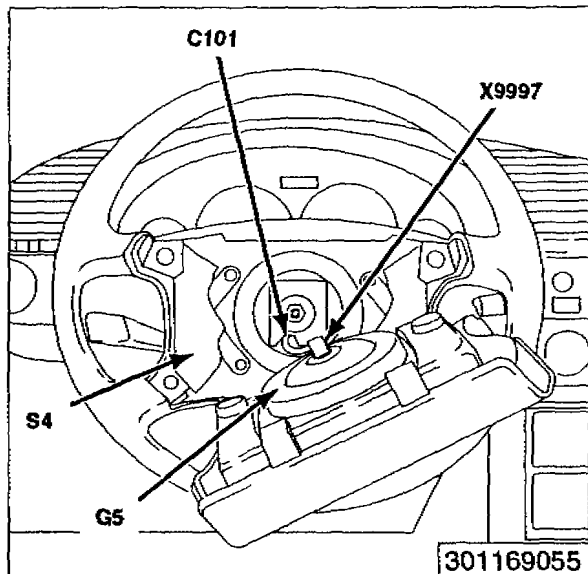


FIG 1 - Behind steering wheel (Airbag removed)

- C101 CONTACT RING**
- G5 DRIVER'S AIR BAG GENERATOR**
- S4 HORN SWITCH**
- X9997 CONNECTOR (2-PINS, BLACK)**

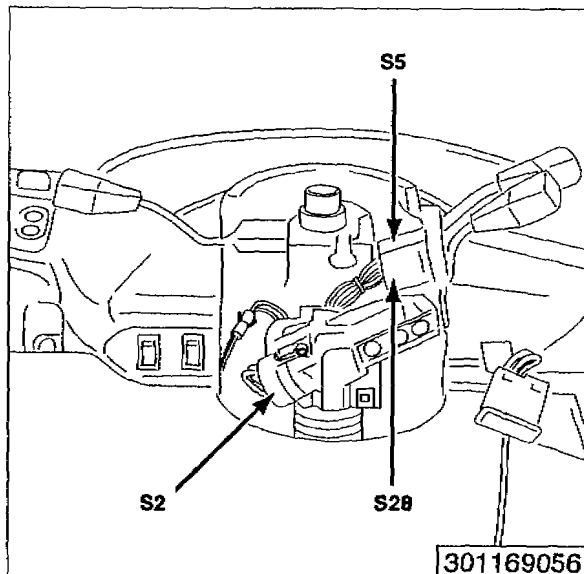


FIG 2 - Top of steering column (steering wheel removed)

- S2 IGNITION SWITCH**
- S5 WIPER/WASHER SWITCH**
- S28 CRUISE CONTROL SWITCH**

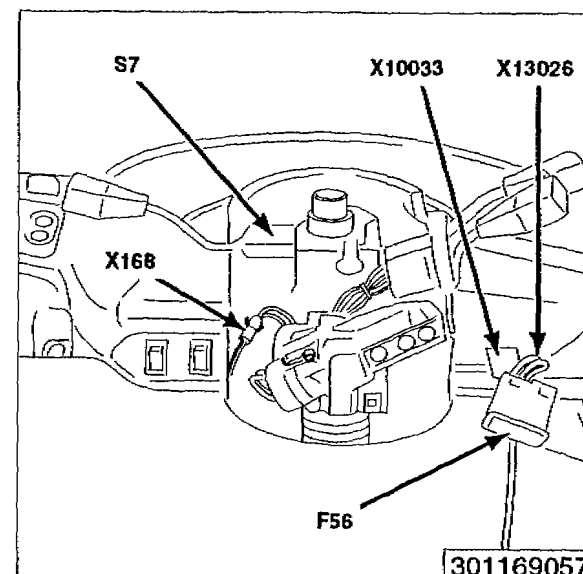


FIG 3 - Top of steering column (steering wheel removed)

- F56 AUTOMATIC CUT-OUT**
- S7 COMBINATION SWITCH**
- X168 CONNECTOR (1-PINS, BLACK)**
- X10033 CONNECTOR (1-PINS, BLACK)**
- X13026 CONNECTOR (1-PINS, BLACK)**

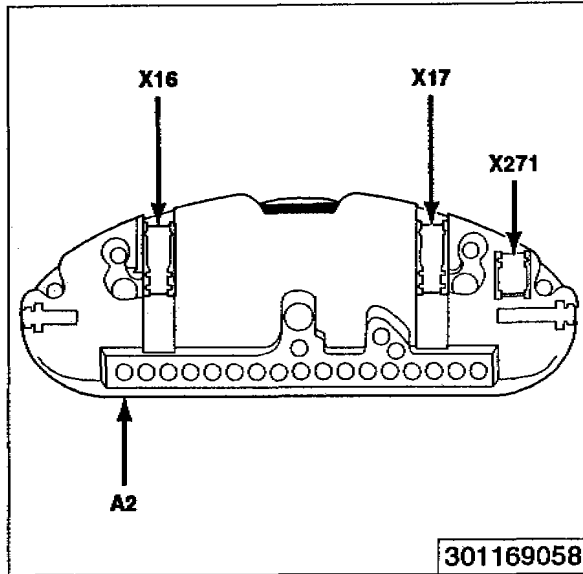


FIG. 1 - Rear of A2 Instrument cluster

- A2 INSTRUMENT CLUSTER**
- X16 CONNECTOR (26-PINS, WHITE)**
- X17 CONNECTOR (26-PINS, BLUE)**
- X271 CONNECTOR (12-PINS, BLACK)**

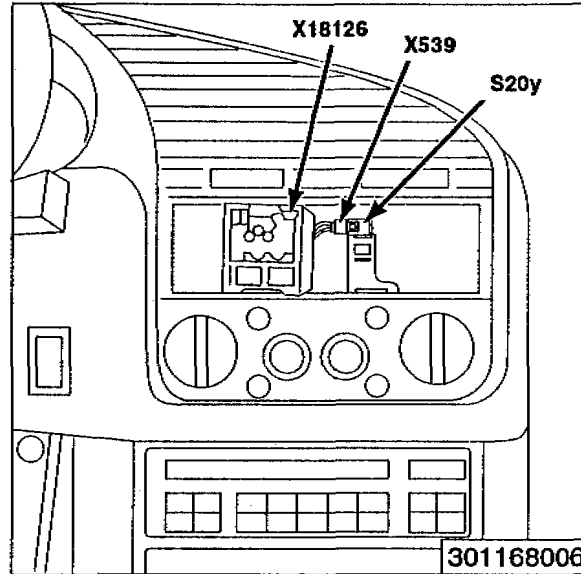


FIG. 2 - Center console behind radio (radio removed)

- S20y RADIO MICROSWITCH**
- X539 CONNECTOR (2-PINS, BLACK)**
- X18126 CONNECTOR (17-PINS, BLACK)**

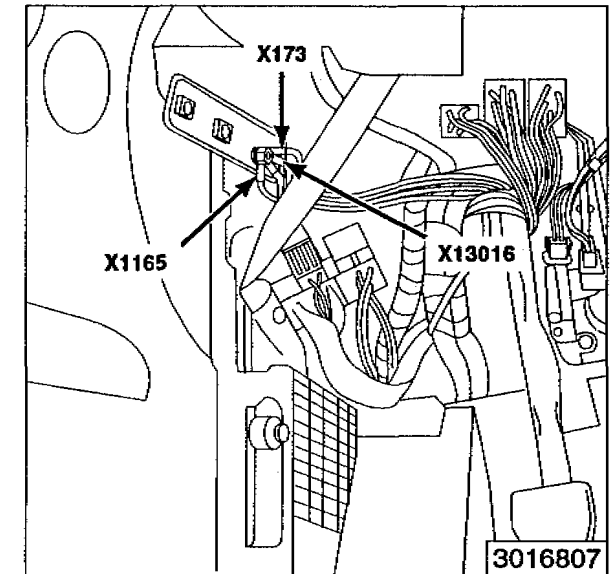


FIG. 3 - Below LH side of dash

- X173 GROUND**
- X1165 GROUND**
- X13016 GROUND**

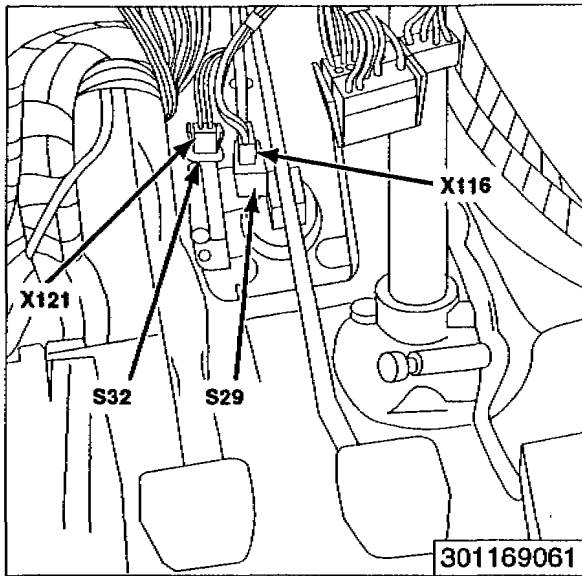


FIG. 1 - Footwell, driver's side

- S29 BRAKE LIGHT SWITCH**
- S32 CLUTCH SWITCH**
- X116 CONNECTOR (2-PINS, BLACK)**
- X121 CONNECTOR (2-PINS, BLACK)**

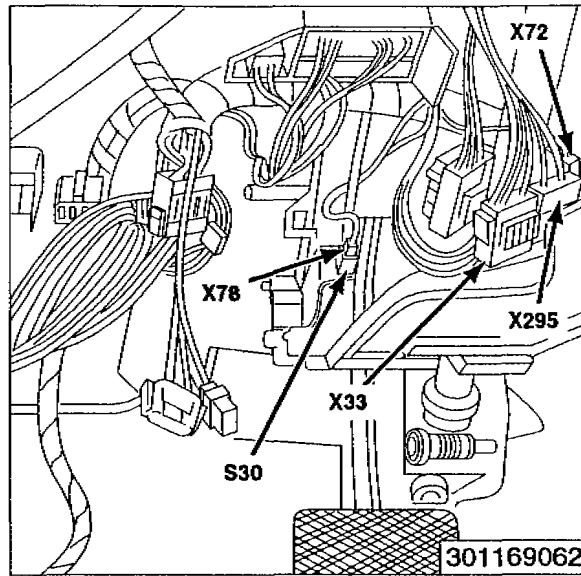


FIG. 2 - Footwell, driver's side

- S30 BRAKE LIGHT SWITCH**
- X33 CONNECTOR (12-PINS, BLACK)**
- X72 CONNECTOR (8-PINS, WHITE)**
- X78 CONNECTOR (4-PINS, BLACK)**
- X295 CONNECTOR (8-PINS, BLACK)**

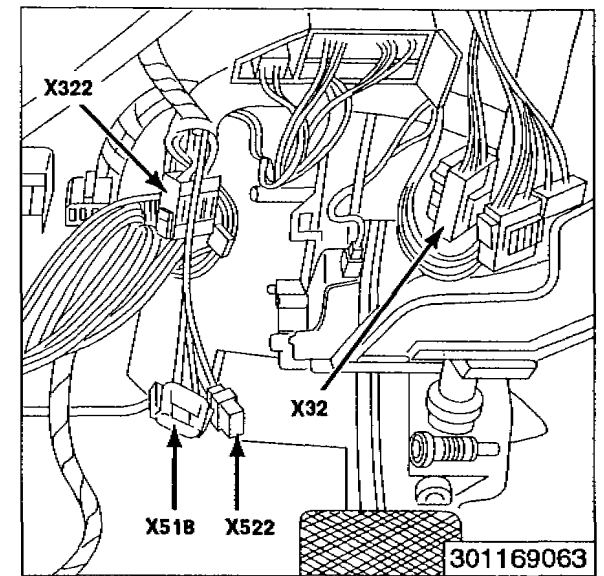


FIG. 3 - Footwell, driver's side

- X32 CONNECTOR (12-PINS, WHITE)**
- X322 CONNECTOR (6-PINS, BLACK)**
- X518 CONNECTOR (4-PINS, BLACK)**
- X522 CONNECTOR (3-PINS, WHITE)**

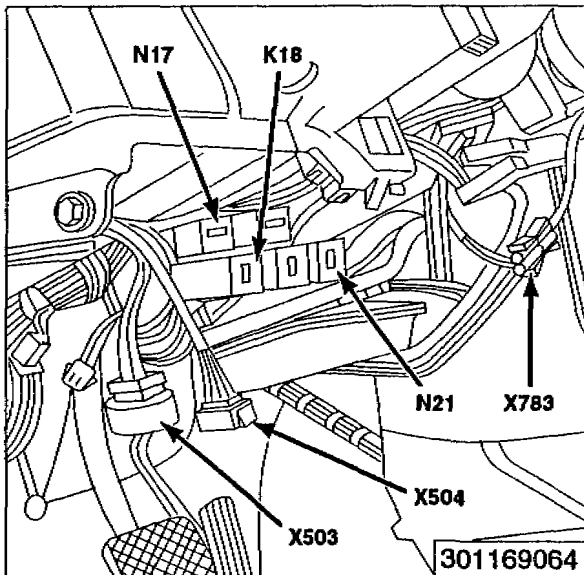


FIG 1 - Below LH side of dash

- N17** CRASH CONTROL MODULE
- N21** TWIN RELAY MODULE
- K18** UNLOADER RELAY TERMINAL R
- X503** CONNECTOR (12-PINS, WHITE)
- X504** CONNECTOR (4-PINS, WHITE)
- X783** CONNECTOR (2-PINS, ORANGE)

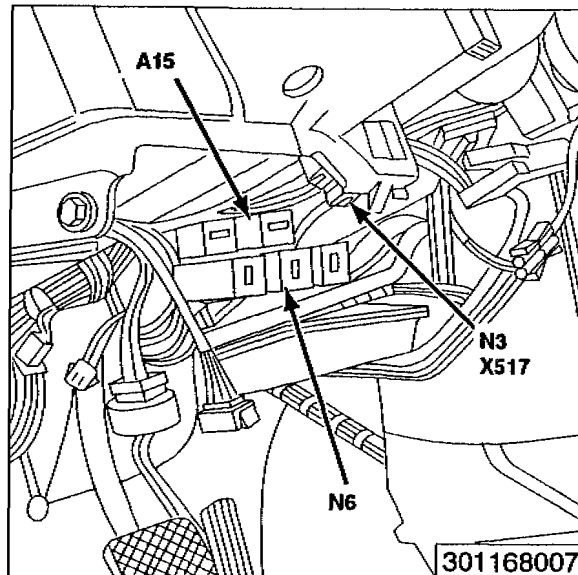


FIG 2 - Below LH side of dash

- A15** PARK HEATING/VENTILATION RELAY BOX
- N6** HEADLIGHT/FOGLIGHT CLEANING MODULE (SRA)
- N3** DIMMER
- X517** CONNECTOR (4-PINS, BLACK)

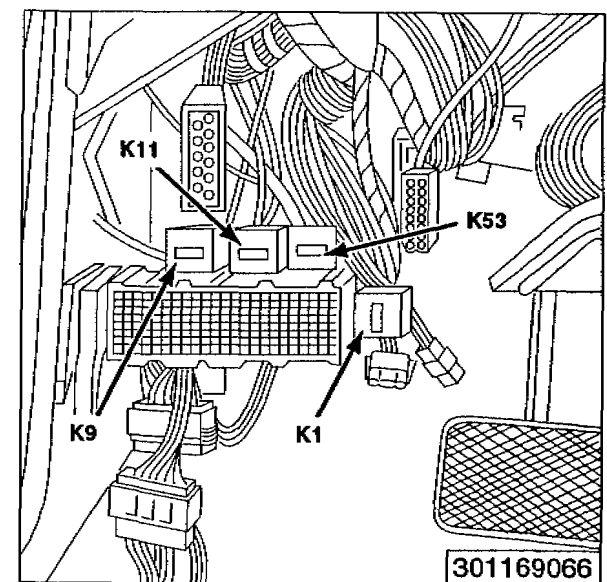


FIG 3 - Below LH side of dash

- K1** STARTER RELAY
- K9** UNLOADER RELAY, TERMINAL 15
- K11** WIPER RELAY
- K53** WIPER MOTOR RELAY

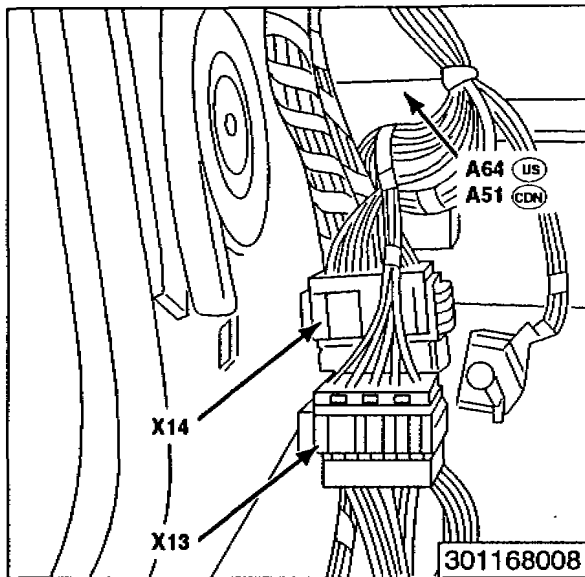


FIG. 1 - Footwell, driver's side

- A51 WIPER/WASHER MODULE**
- A64 WIPER/WASHER MODULE (LOW II)**
- X13 CONNECTOR (30-PINS, BLACK)**
- X14 CONNECTOR (30-PINS, WHITE)**

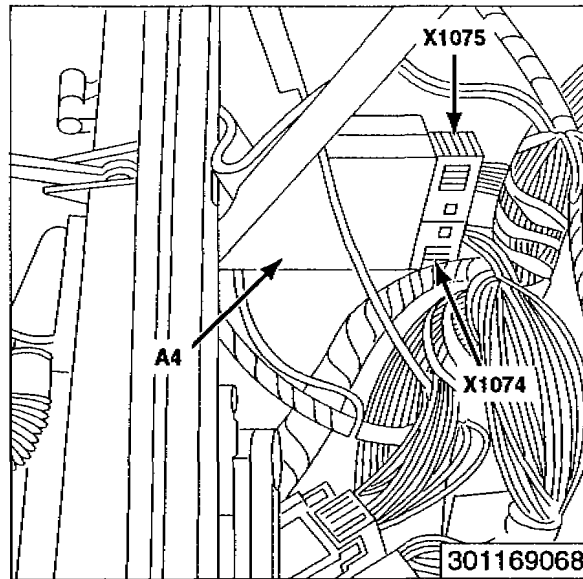


FIG. 2 - Below LH side of dash

- A4 CHECK CONTROL MODULE**
- X1074 CONNECTOR (15-PINS, WHITE)**
- X1075 CONNECTOR (15-PINS, BLACK)**

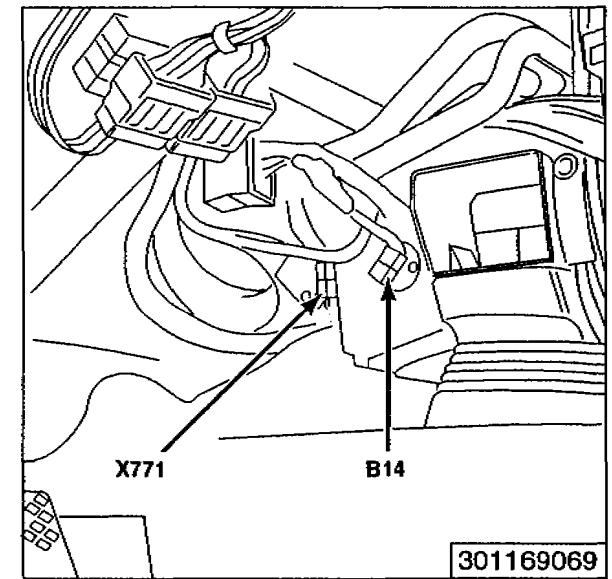


FIG. 3 - LH side of IHKR Plenum

- B14 EVAPORATOR TEMPERATURE SENSOR**
- X771 CONNECTOR (2-PINS, BLACK)**

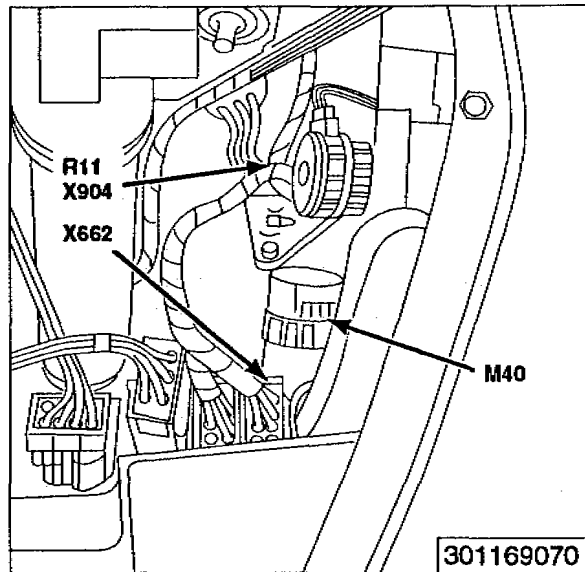


FIG. 1 - Behind center of dashboard LH side of IHKR Plenum

- M40 RECIRCULATION FLAP MOTOR**
- R11 BLOWER RESISTORS**
- X904 CONNECTOR (4-PINS, BLACK)**
- X662 CONNECTOR (6-PINS, GRAY)**

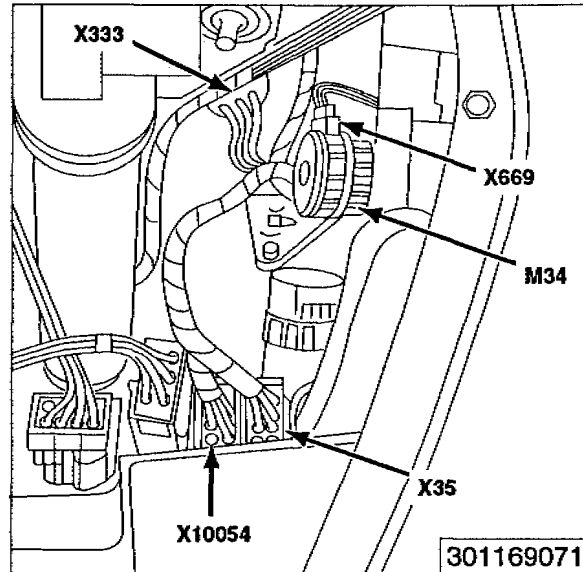


FIG. 2 - Behind center of dashboard LH side of IHKR Plenum

- M34 DASH VENT MIXING FLAP MOTOR**
- X35 CONNECTOR (12-PINS, WHITE)**
- X333 CONNECTOR (4-PINS, BLACK)**
- X669 CONNECTOR (6-PINS, GRAY)**
- X10054 CONNECTOR (12-PINS, BLACK)**

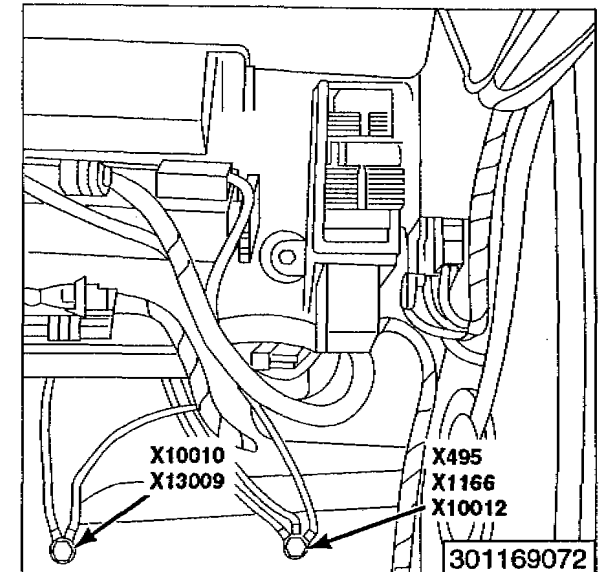


FIG. 3 - Below RH side of dash

- X495 GROUND**
- X1166 GROUND**
- X10010 GROUND**
- X10012 GROUND**
- X13009 GROUND**



COMPONENT LOCATION VIEWS

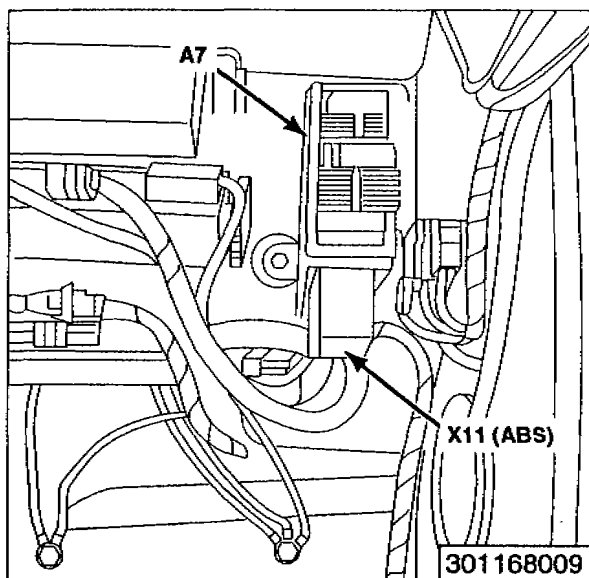


FIG. 1 - Behind glove box

- A7 SLIP CONTROL MODULE (ABS)
- X11 CONNECTOR (55-PINS, BLACK)

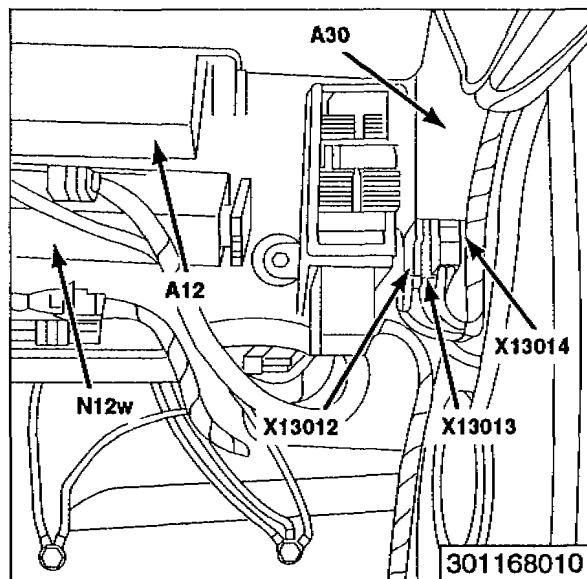


FIG. 2 - Below RH side of dash

- A12 SUPPLEMENTAL RESTRAINT SYSTEM CONTROL MODULE
- A30 CENTRAL LOCKING MODULE
- N12w ANTI-THEFT CONTROL MODULE (ALPINE)
- X13012 CONNECTOR (26-PINS, WHITE)
- X13013 CONNECTOR (5-PINS, BLACK)
- X13014 CONNECTOR (4-PINS, BLACK)

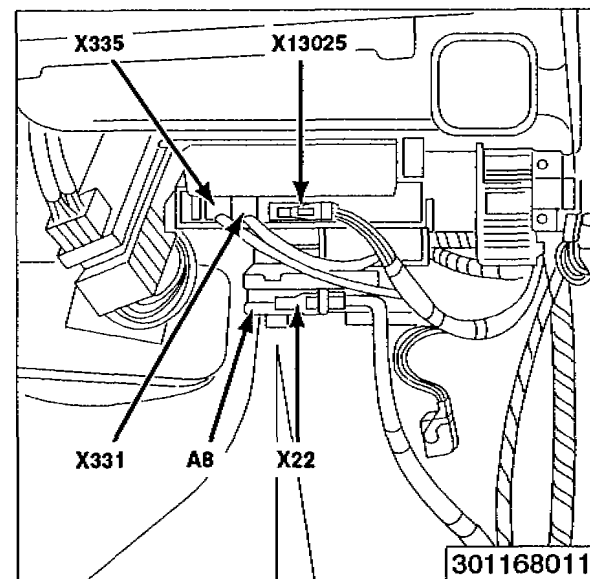


FIG. 3 - Below RH side of dash

- A8 CRUISE CONTROL MODULE (TEMPOMAT)
- X22 CONNECTOR (26-PINS, BLUE)
- X13025 CONNECTOR (26-PINS, BLACK)
- X331 CONNECTOR (5-PINS, BLACK)
- X335 CONNECTOR (4-PINS, BLACK)

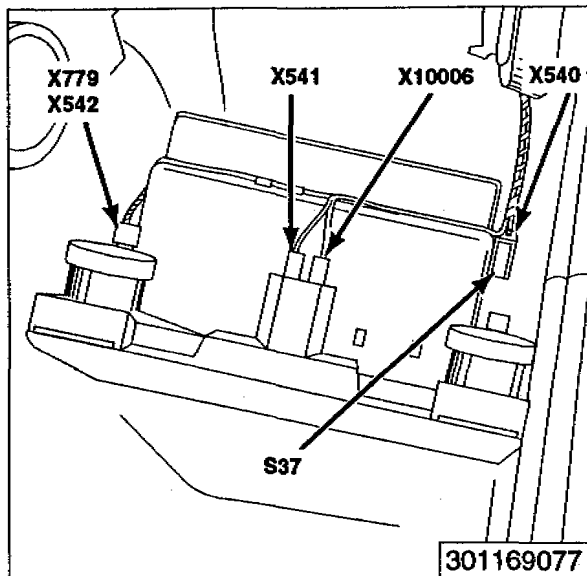


FIG. 1 - Behind glove box

- S37** GLOVE BOX LIGHT SWITCH
- X540** CONNECTOR (2-PINS, BLACK)
- X541** CONNECTOR (1-PINS, WHITE)
- X542** CONNECTOR (2-PINS, BLACK)
- X779** CHARGING SOCKET
- X10006** CONNECTOR (1-PINS, WHITE)

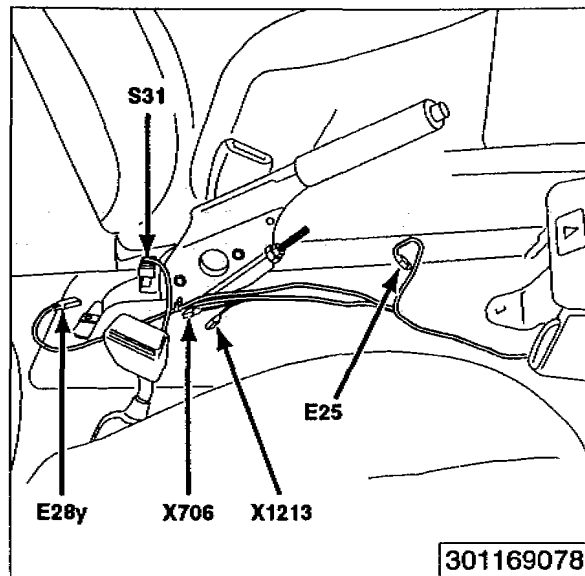


FIG. 2 - Center console

- E25** FRONT ASHTRAY LIGHT
- E28y** REAR ASHTRAY LIGHT
- S31** PARK BRAKE SWITCH
- X706** CONNECTOR (2-PINS, BLACK)
- X1213** CONNECTOR (2-PINS, BLACK)

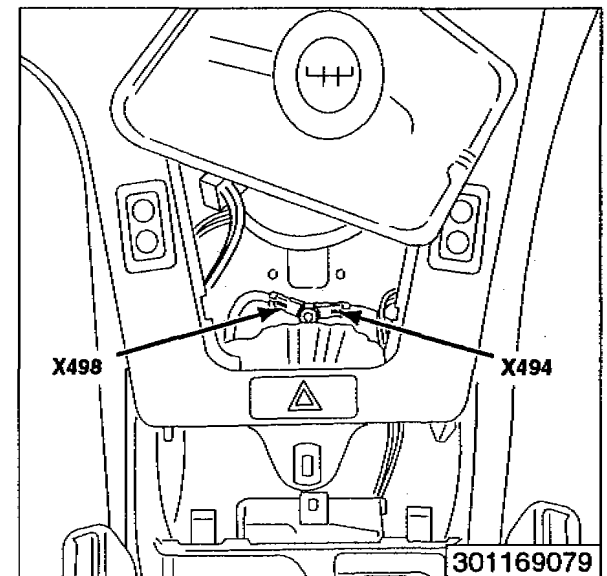


FIG. 3 - Center console

- X494** GROUND
- X498** GROUND

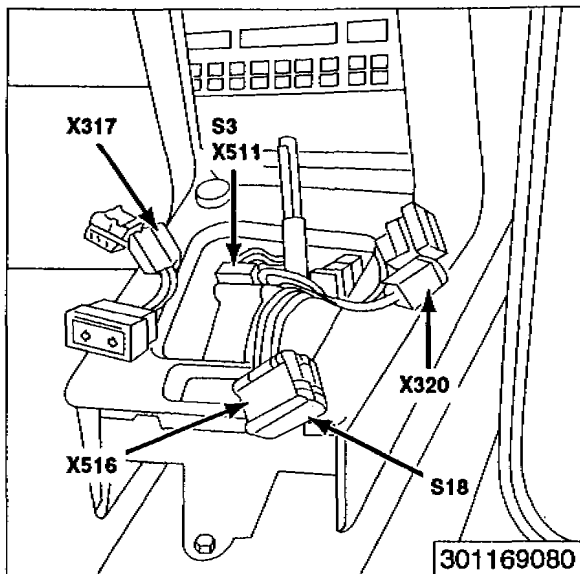


FIG. 1 - Center console near gearshift lever

- S3** AUTOMATIC TRANSMISSION RANGE SWITCH
- S18** HAZARD SWITCH
- X317** CONNECTOR (6-PINS, WHITE)
- X320** CONNECTOR (6-PINS, WHITE)
- X511** CONNECTOR (8-PINS, BLACK)
- X516** CONNECTOR (5-PINS, BLACK)

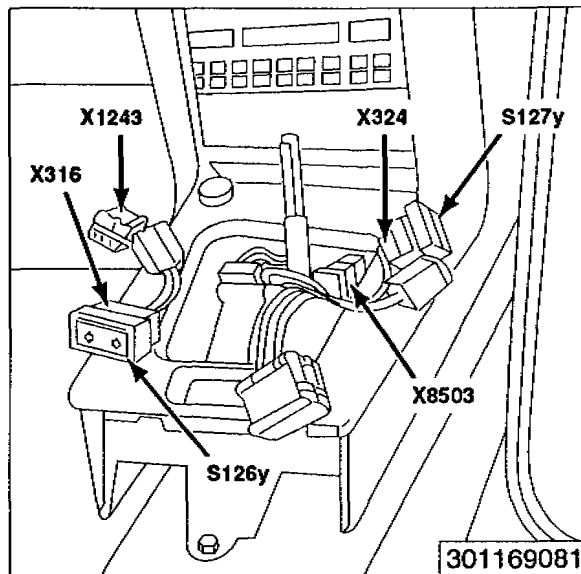


FIG. 2 - Center console near gearshift lever

- S126y** DRIVER'S POWER WINDOW SWITCH
- S127y** PASSENGER'S POWER WINDOW SWITCH
- X316** CONNECTOR (6-PINS, WHITE)
- X324** CONNECTOR (6-PINS, WHITE)
- X1243** CONNECTOR (6-PINS, BLACK)
- X8503** CONNECTOR (10-PINS, WHITE)

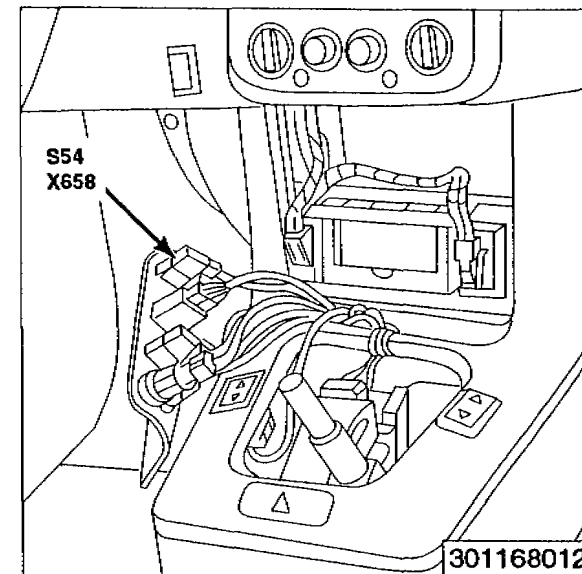


FIG. 3 - Center console near gearshift lever

- S54** PASSENGER'S SEAT, SEAT HEATER SWITCH
- X658** CONNECTOR (6-PINS, YELLOW)

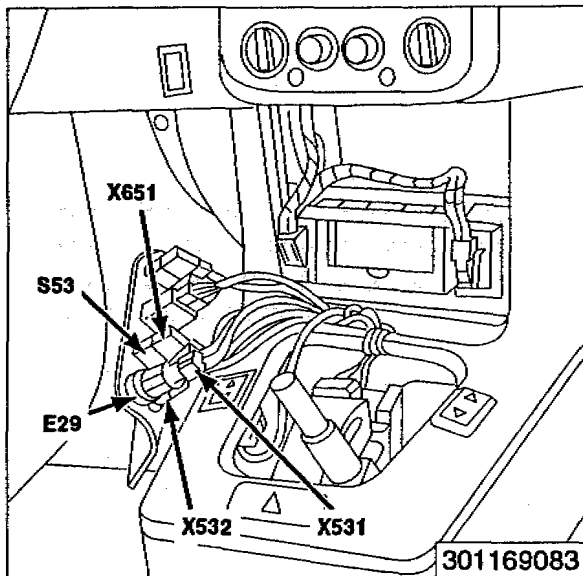


FIG. 1 - Center console near gearshift lever

- E29 FRONT CIGAR LIGHTER LIGHT**
- S53 DRIVER'S SEAT, SEAT HEATER SWITCH**
- X531 CONNECTOR (1-PINS, BLACK)**
- X532 CONNECTOR (2-PINS, BLACK)**
- X651 CONNECTOR (6-PINS, YELLOW)**

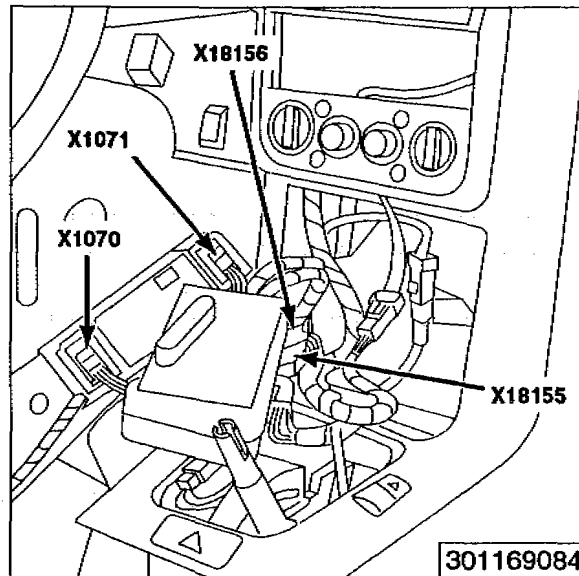


FIG. 2 - Center console on-board computer (removed)

- X1070 CONNECTOR (18-PINS, BLACK)**
- X1071 CONNECTOR (18-PINS, WHITE)**
- X18155 CONNECTOR (26-PINS, WHITE)**
- X18156 CONNECTOR (26-PINS, BLACK)**

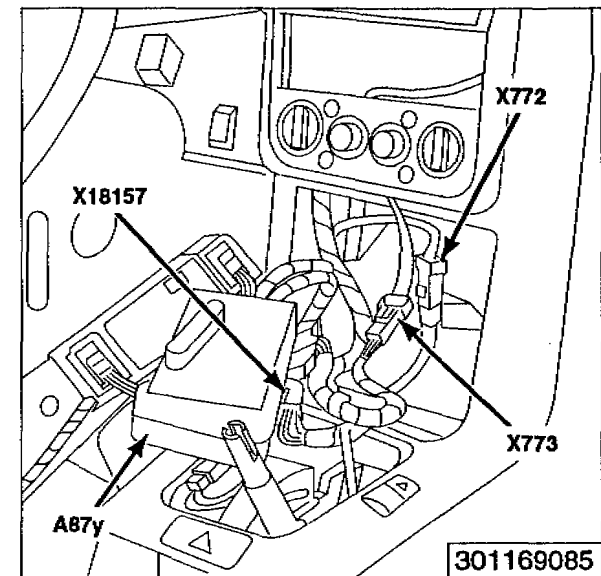


FIG. 3 - Center console on-board computer (removed)

- A87y INTEGRATED CLIMATE REGULATION CONTROL MODULE**
- X772 CONNECTOR (2-PINS, WHITE)**
- X773 CONNECTOR (2-PINS, WHITE)**
- X18157 CONNECTOR (26-PINS, BLUE)**

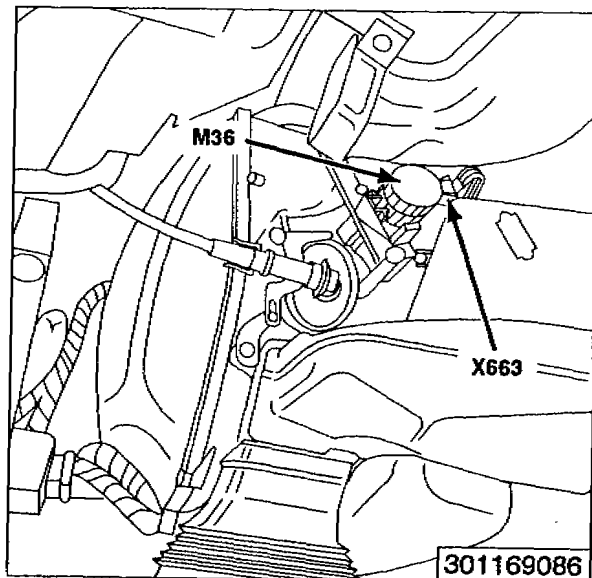


FIG. 1 - RH side of IHKR Plenum

- M36 FRESH AIR FLAP MOTOR**
- X663 CONNECTOR (6-PINS, GRAY)**

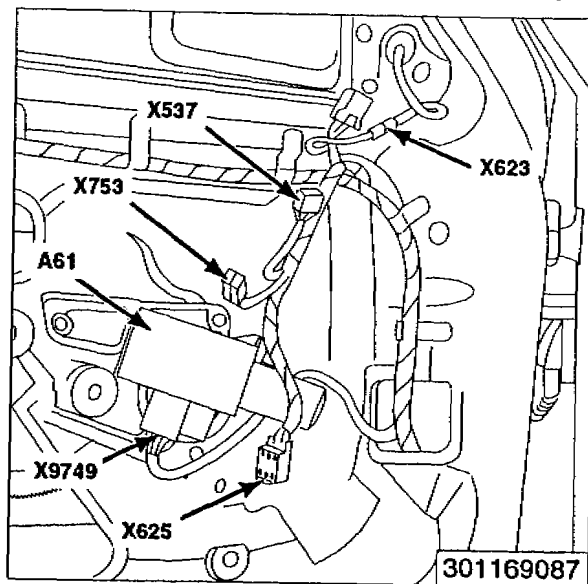


FIG. 2 - Driver's door under trim panel

- A61 DRIVER'S SIDE POWER WINDOW MODULE**
- X537 CONNECTOR (2-PINS, BLACK)**
- X623 CONNECTOR (4-PINS, BLACK)**
- X625 CONNECTOR (6-PINS, WHITE)**
- X753 CONNECTOR (2-PINS, BLACK)**
- X9749 CONNECTOR (6-PINS, BLACK)**

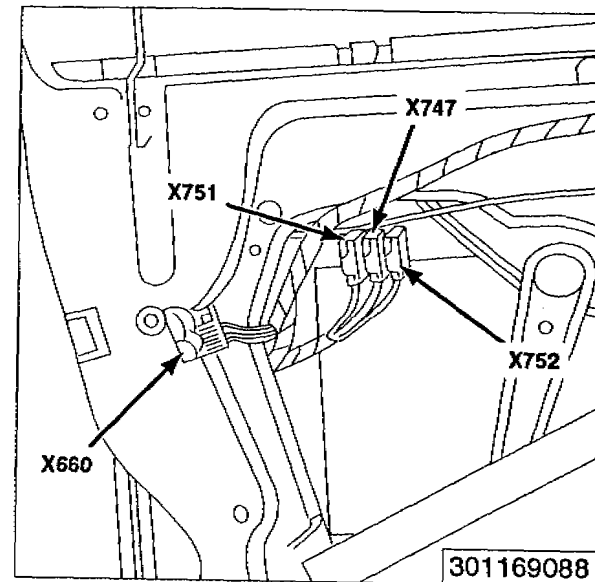


FIG. 3 - Driver's door under trim panel

- X660 CONNECTOR (6-PINS, BLACK)**
- X747 CONNECTOR (2-PINS, YELLOW)**
- X751 CONNECTOR (2-PINS, WHITE)**
- X752 CONNECTOR (2-PINS, GRAY)**

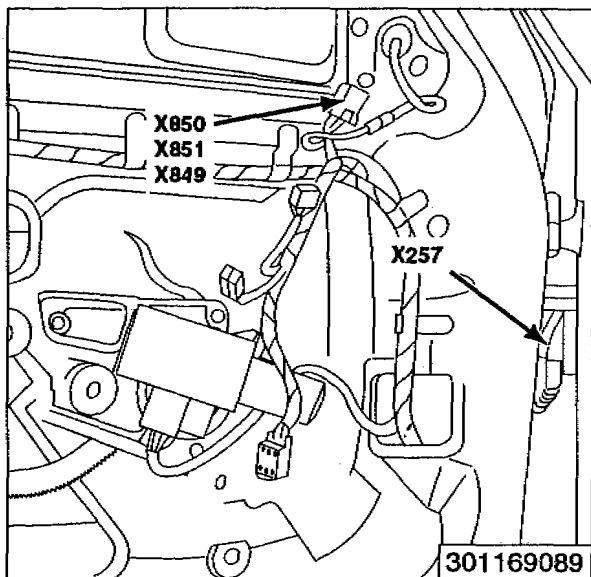


FIG. 1 - Driver's door under trim panel

- X257** CONNECTOR (26-PINS, BLACK)
- X849** REMOVABLE SPLICE
- X850** REMOVABLE SPLICE
- X851** REMOVABLE SPLICE

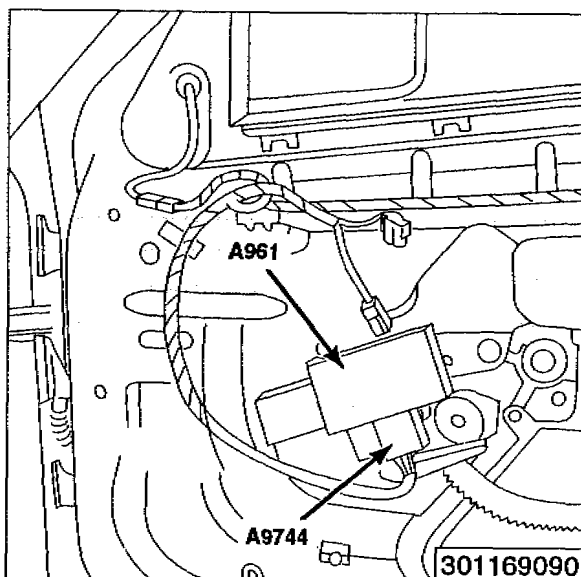


FIG. 2 - Passenger's door under trim panel

- A961** PASSENGER'S SIDE POWER WINDOW MODULE
- X9744** CONNECTOR (6-PINS, BLACK)

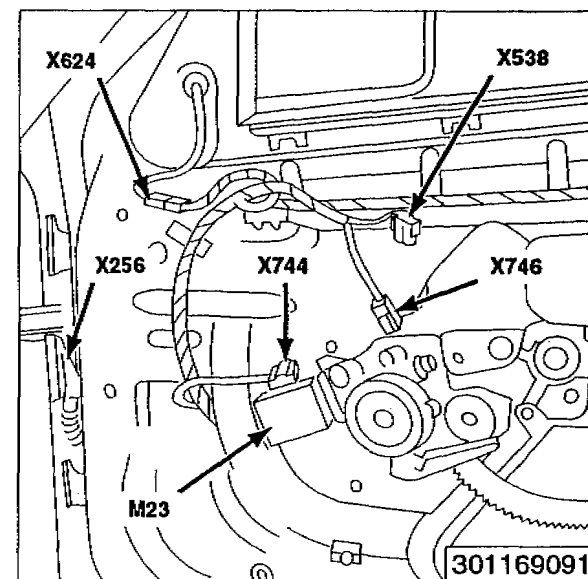


FIG. 3 - Passenger's door under trim panel

- M23** PASSENGER'S WINDOW MOTOR
- X256** CONNECTOR (26-PINS, BLACK)
- X538** CONNECTOR (2-PINS, BLACK)
- X624** CONNECTOR (4-PINS, BLACK)
- X744** CONNECTOR (2-PINS, GRAY)
- X746** CONNECTOR (2-PINS, BLACK)

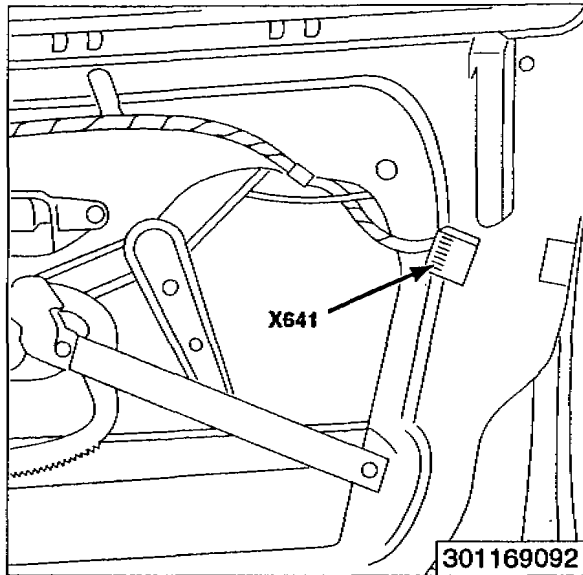


FIG. 1 - Passenger's door under trim panel

X641 CONNECTOR (6-PINS, BLACK)

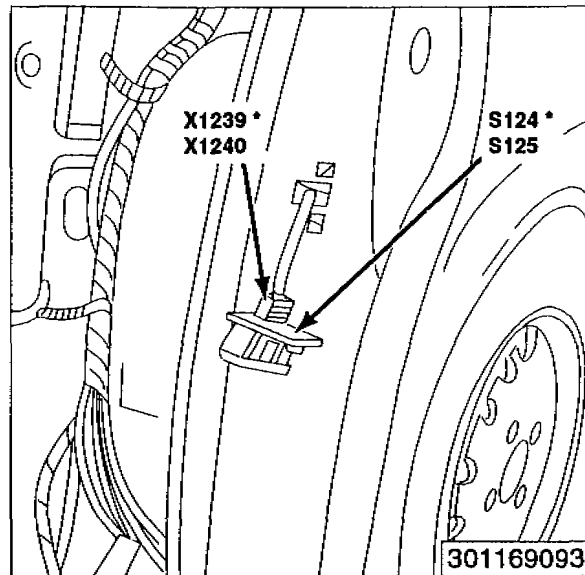


FIG. 2 - LH rear door jamb (*RH similar)

S124 RIGHT REAR DOOR CONTACT
S125 LEFT REAR DOOR CONTACT
X1239 CONNECTOR (2-PINS, WHITE)
X1240 CONNECTOR (2-PINS, BLACK)

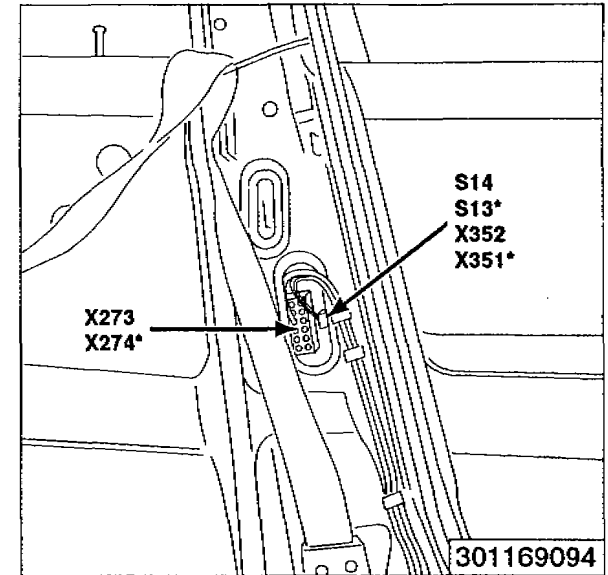


FIG. 3 - In lower LH B-pillar (*RH similar)

S13 PASSENGER'S DOOR JAMB SWITCH
S14 DRIVER'S DOOR JAMB SWITCH
X273 CONNECTOR (12-PINS, BLACK)
X274 CONNECTOR (12-PINS, BLACK)
X351 CONNECTOR (2-PINS, BLACK)
X352 CONNECTOR (2-PINS, BLACK)

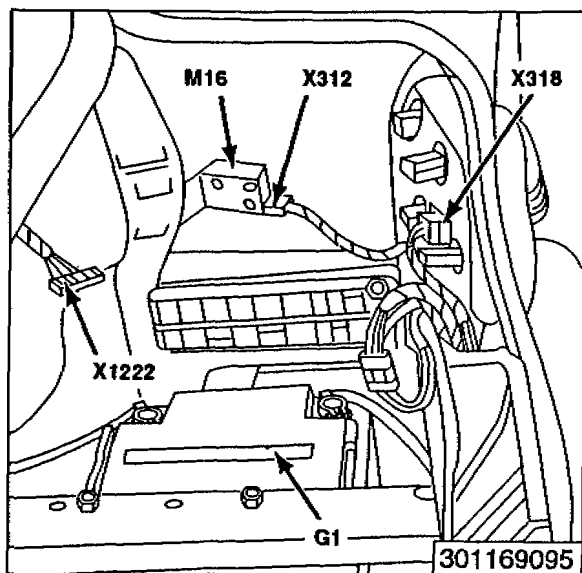


FIG 1 - In RH rear side of luggage compartment (325i)

- G1 BATTERY**
- M16 GAS FILLER LOCK MOTOR**
- X312 CONNECTOR (2-PINS, BLACK)**
- X318 CONNECTOR (8-PINS, BLACK)**
- X1222 CONNECTOR (6-PINS, WHITE)**

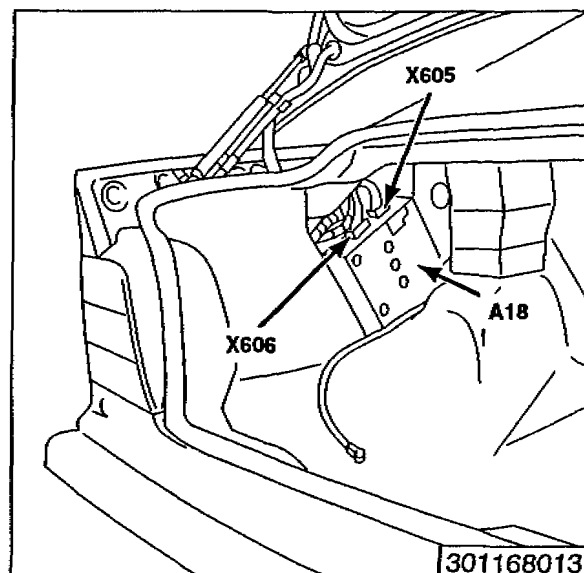


FIG 2 - In LH forward side of luggage compartment

- A18 HIFI AMPLIFIER**
- X605 CONNECTOR (12-PINS, BLACK)**
- X606 CONNECTOR (12-PINS, WHITE)**

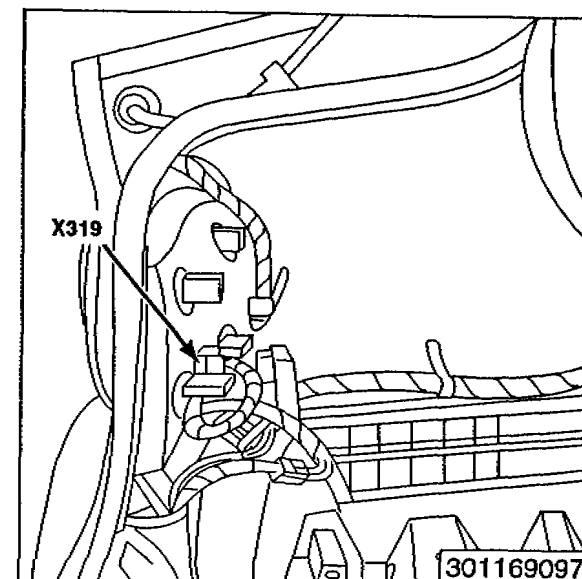


FIG 3 - In LH rear side of luggage compartment

- X319 CONNECTOR (8-PINS, BLACK)**

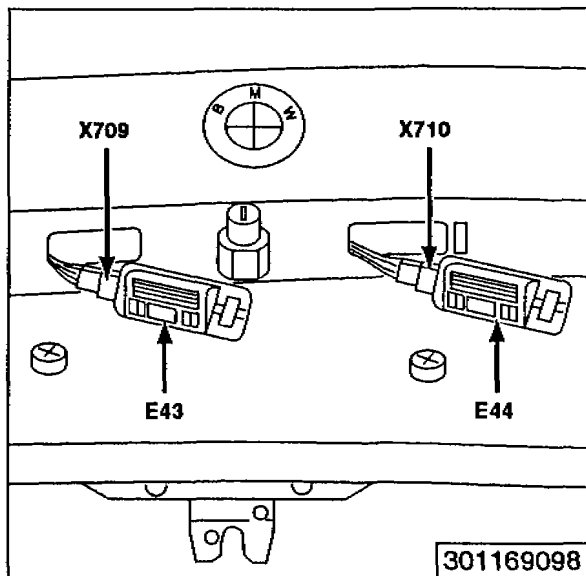


FIG 1 - Underside of trunk lid, near license plate

- E43 LEFT LICENSE PLATE LIGHT**
- E44 RIGHT LICENSE PLATE LIGHT**
- X709 CONNECTOR (2-PINS, BLACK)**
- X710 CONNECTOR (2-PINS, BLACK)**

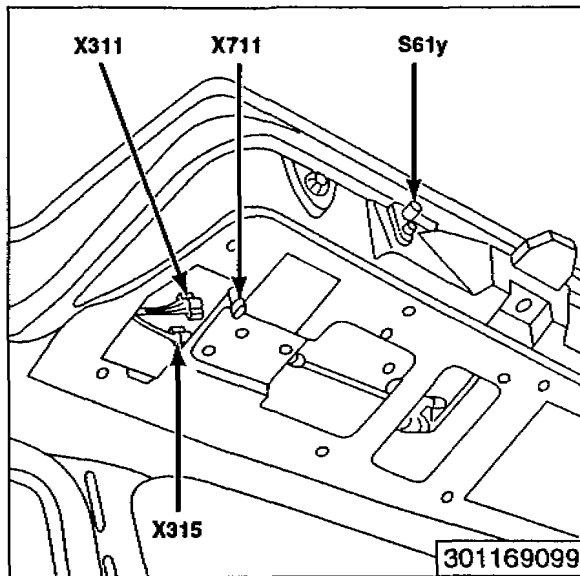


FIG 2 - Underside of trunk lid left

- S61y TRUNK LIGHT SWITCH**
- X311 CONNECTOR (3-PINS, BLACK)**
- X315 CONNECTOR (2-PINS, BLACK)**
- X711 CONNECTOR (1-PINS, NATURAL)**



SPLICE LOCATION VIEWS

SPLICE LOCATION INDEX

INDEX

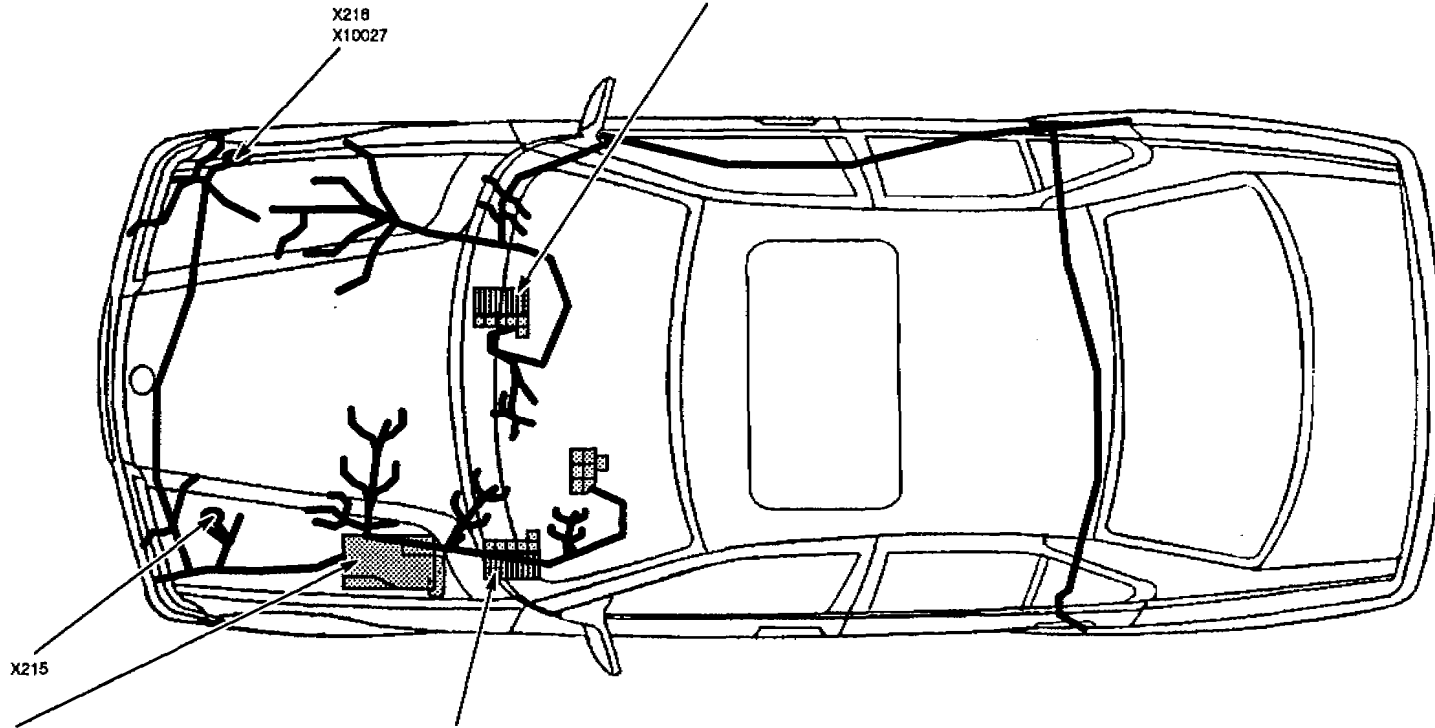
SPLICE	HARNESS	PAGE NUMBER	SPLICE	HARNESS	PAGE NUMBER
X181-X276	FRONT	8000.0-01	X6825	M40 ENGINE	NOT SHOWN
X313-X314	REAR	8000.0-02	X6830-X6832	M50 ENGINE	NOT SHOWN
X326	FRONT	8000.0-01	X6835-X6855	ENGINE	NOT SHOWN
X344-X378	TRAILER ADAPTER	NOT SHOWN	X6860	M50 ENGINE	NOT SHOWN
X428-X481	REAR	8000.0-02	X6863-X6866	ENGINE	NOT SHOWN
X530-X595	FRONT	8000.0-01	X6900-X6906	M50 ENGINE	NOT SHOWN
X805	REAR	8000.0-02	X8004	ENGINE	NOT SHOWN
X824-X830	RADIO	NOT SHOWN	X8005	M40 ENGINE	NOT SHOWN
X849-X851	DRIVER'S DOOR	NOT SHOWN	X8007-X8010	M50 ENGINE	NOT SHOWN
X876-X878	RADIO	NOT SHOWN	X8015	ENGINE	NOT SHOWN
X906	IHKR	NOT SHOWN	X8021	M50 ENGINE	NOT SHOWN
X942	PASSENGER'S DOOR	NOT SHOWN	X8022	ENGINE	NOT SHOWN
X1015-X1164	FRONT	8000.0-01	X8025	M50 ENGINE	NOT SHOWN
X1167	REAR	8000.0-02	X8033	M40 ENGINE	NOT SHOWN
X1169-X1192	FRONT	8000.0-01	X8042	ENGINE	NOT SHOWN
X1212-X1218	REAR	8000.0-02	X8043-X8049	M40 ENGINE	NOT SHOWN
X1225	FRONT	8000.0-01	X8051	M50 ENGINE	NOT SHOWN
X1226-X1238	REAR	8000.0-02	X8056	ENGINE	NOT SHOWN
X1382-X1383	RADIO	NOT SHOWN	X8071-X8565	M50 ENGINE	NOT SHOWN
X1387-X1396	REAR	8000.0-02	X8576	ENGINE	NOT SHOWN
X2029-X2167	DIESEL ENGINE	NOT SHOWN	X10008-X10123	FRONT	8000.0-01
X6410	ENGINE	NOT SHOWN	X13002-X13011	REAR	8000.0-02
X6411-X6420	M50 ENGINE	NOT SHOWN	X13021-X13115	FRONT	8000.0-01
X6458-X6463	ENGINE	NOT SHOWN	X18160-X18161	IHKR	NOT SHOWN
X6475	M50 ENGINE	NOT SHOWN	X18165	FRONT	NOT SHOWN
X6492-X6810	ENGINE	NOT SHOWN	X18281	DRIVER'S DOOR	NOT SHOWN
X6820	M50 ENGINE	NOT SHOWN	X18283-X18284	PASSENGER'S DOOR	NOT SHOWN
X6821-X6822	ENGINE	NOT SHOWN	X19513-X19514	RADIO	NOT SHOWN



SPLICE LOCATION VIEWS

FRONT HARNESS

SPLICE PANEL	
X185 ●	X1164 ●
X218 ●	X10009 ●
X222 ●	X10064 ●
X557 ●	X13115 ●
X1163 ●	



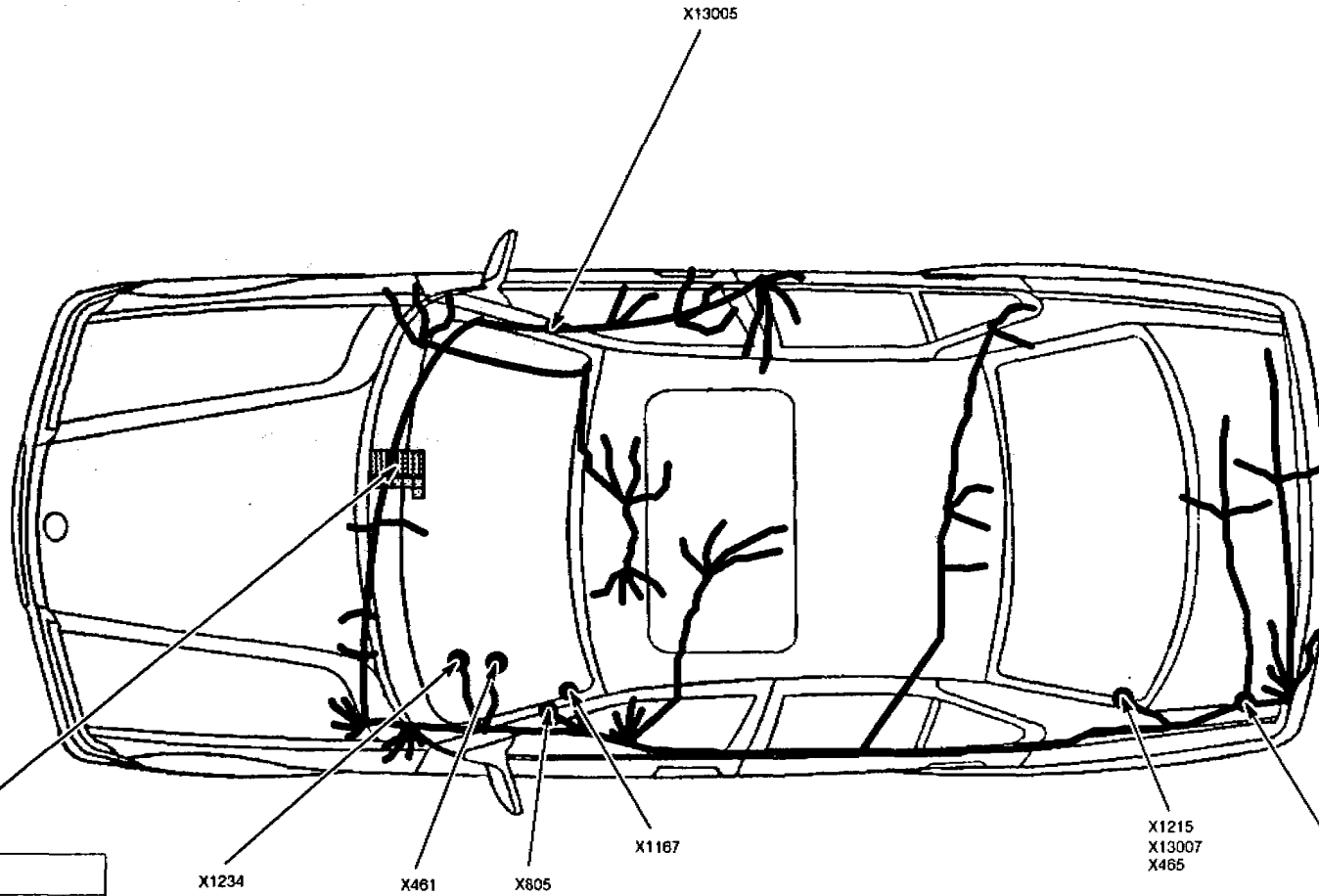
SPLICE PANEL				
X184 ●	X245 ●	X1027 ●	X1152 ●	X10007 ●
X185 ●	X246 ●	X1028 ●	X1168 ●	X10020 ●
X186 ●	X276 ●	X1036 ●	X1172 ●	X10021 ●
X187 ●	X530 ●	X1066 ●	X1177 ●	X10022 ●
X203 ●	X595 ●	X1073 ●	X1166 ●	X10055 ●
X223 ●	X1015 ●	X1076 ●	X1192 ●	X10100 ●
X238 ●	X1022 ●	X1077 ●	X1233 ●	

SPLICE PANEL				
X181 ●	X213 ●	X1067 ●	X1182 ●	X10061 ●
X182 ●	X228 ●	X1069 ●	X1225 ●	X13021 ●
X183 ●	X1019 ●	X1079 ●	X10008 ●	X18165 ●
X188 ●	X1029 ●	X1080 ●	X10011 ●	
X191 ●	X1047 ●	X1085 ●	X10024 ●	
X196 ●	X1065 ●	X1169 ●	X10028 ●	
X197 ●	X1086 ●	X1179 ●	X10029 ●	



SPLICE LOCATION VIEWS

REAR HARNESS



SPLICE PANEL			
X441 ●	X450 ●	X462 ●	X1238 ●
X442 ●	X453 ●	X475 ●	X1387 ●
X443 ●	X454 ●	X481 ●	X1398 ●
X444 ●	X455 ●	X1212 ●	X13002 ●
X445 ●	X458 ●	X1235 ●	X13003 ●
X449 ●	X460 ●	X1236 ●	X13010 ●
		X1237 ●	X13011 ●

BMW
3

8500.0

FIG. 1

B550001.00

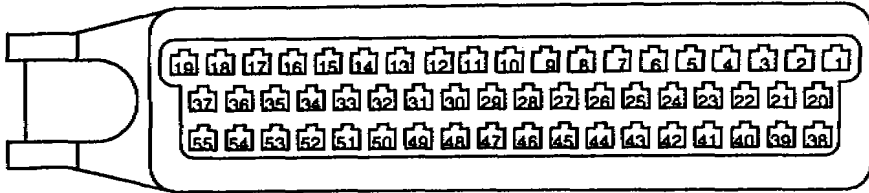


FIG. 2

B260005.00

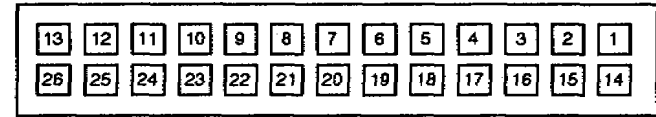


FIG. 3

B150003.00

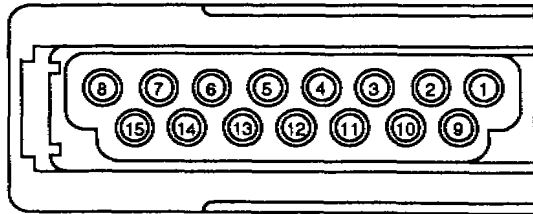
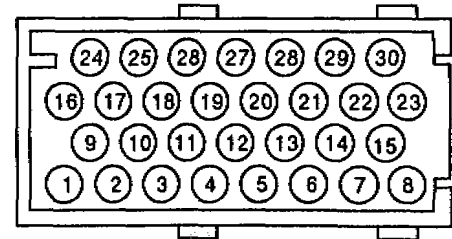


FIG. 4

B300001.00





CONNECTOR VIEWS

FIG. 1

B030024

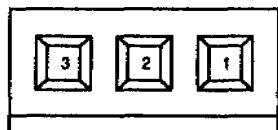


FIG. 2

B120003.00

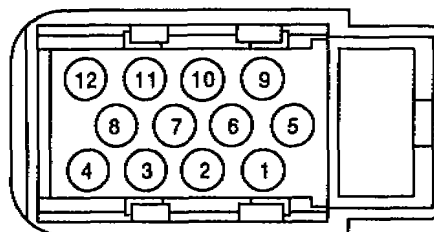


FIG. 3

B120001.00

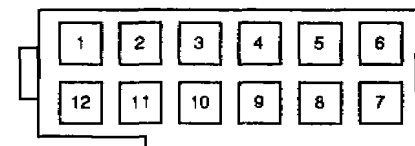


FIG. 4

B050005.00

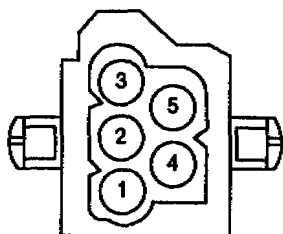


FIG. 5

B180000.00

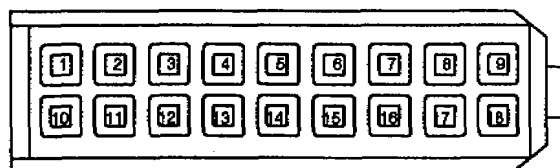
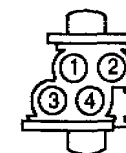


FIG. 6

B040003.00





CONNECTOR VIEWS

FIG. 1

B080002.00

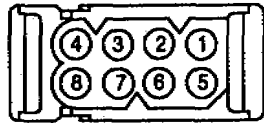


FIG. 2

B120015

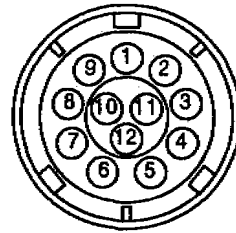


FIG. 3

B030001.00

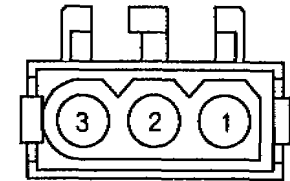


FIG. 4

B080003.00

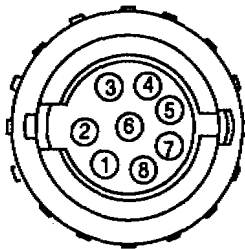


FIG. 5

B130002.00

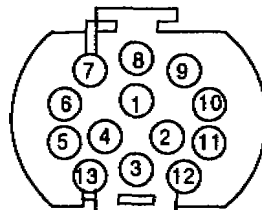
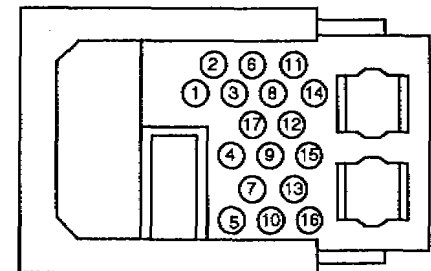


FIG. 6

B170001.00





CONNECTOR VIEWS

FIG. 1

B120002.02

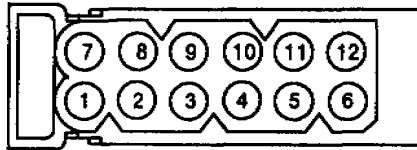


FIG. 2

B030004.00

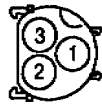


FIG. 3

B100008.00

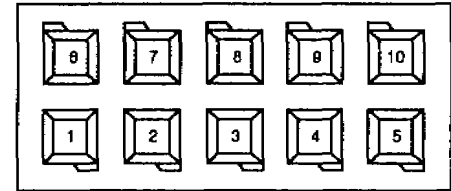


FIG. 4

B030005.00

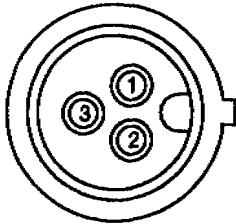


FIG. 5

B120004.01

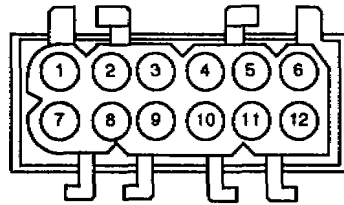
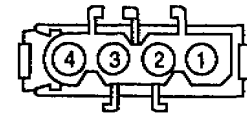


FIG. 6

B040002.00





CONNECTOR VIEWS

FIG. 1

B060006.00

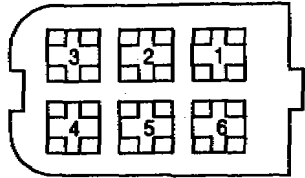


FIG. 2

B050003.00



FIG. 3

B040004.00



FIG. 4

B040018

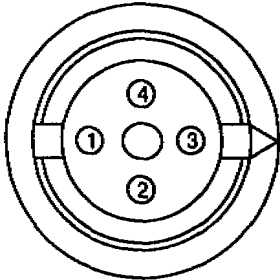


FIG. 5

B080001.00

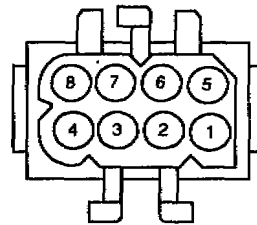
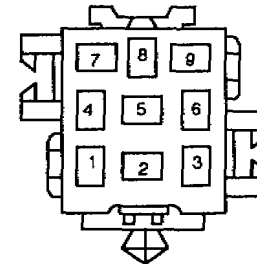


FIG. 6

B090002.00





CONNECTOR VIEWS

FIG. 1

B210002.00

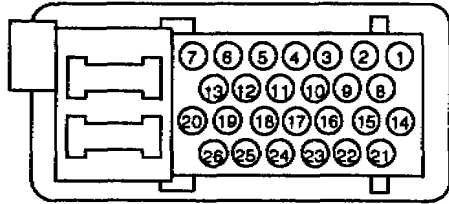


FIG. 2

B060001.02



FIG. 3

B070005.00

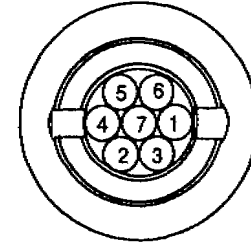


FIG. 4

B200003.00

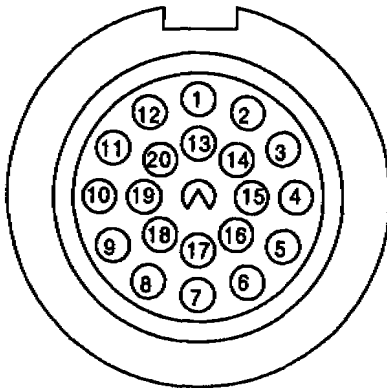


FIG. 5

B080010.01

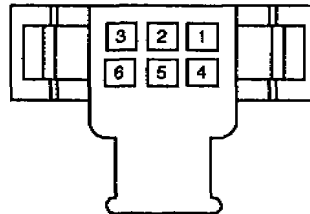


FIG. 6

B030003.02





CONNECTOR VIEWS

FIG. 1

B060008.00

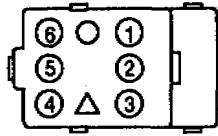


FIG. 2

B250001.00

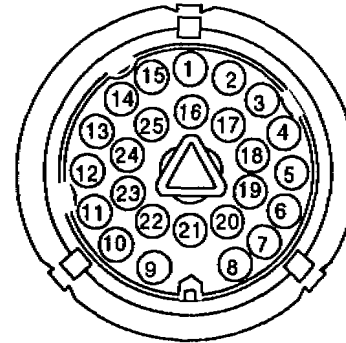


FIG. 3

B040013

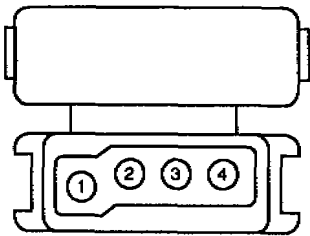
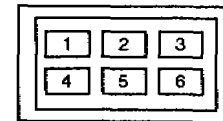


FIG. 4

B060019.02





CONNECTOR VIEWS

FIG. 1

B140004.00

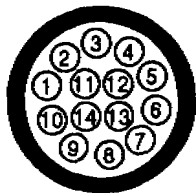


FIG. 2

B030009.00

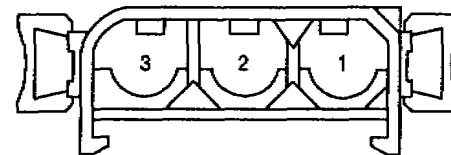


FIG. 3

B060037.00

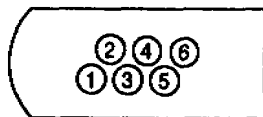
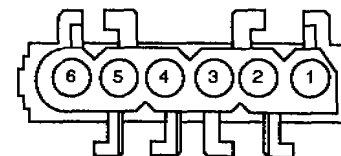


FIG. 4

B060038.00





CONNECTOR VIEWS

FIG. 1

B880001.00

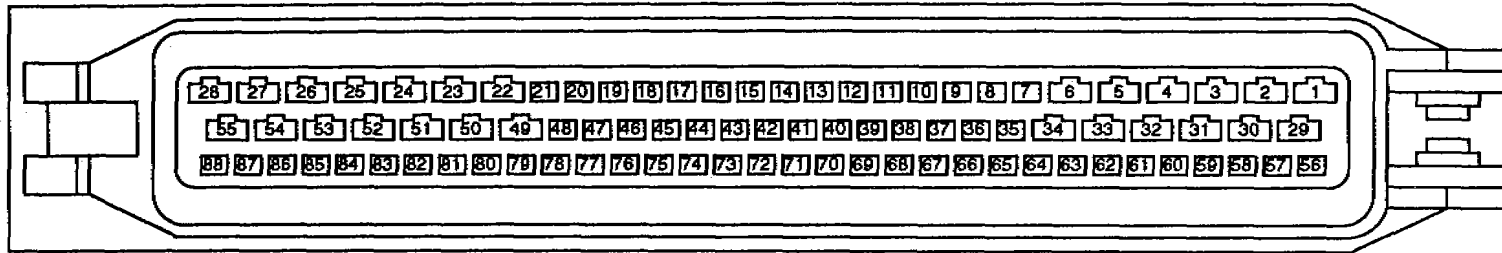


FIG. 2

B030006.00

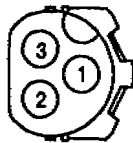
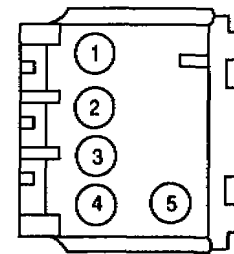


FIG. 3

B050002.00





CONNECTOR VIEWS

FIG. 1

B040022.00

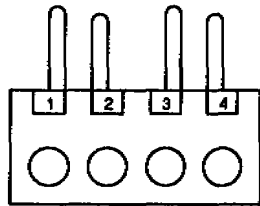


FIG. 2

B060012.00

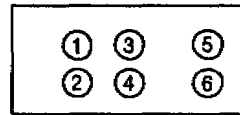


FIG. 3

B040023.00

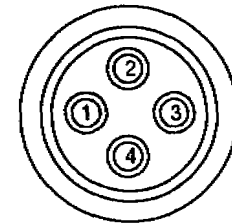


FIG. 4

B030018.00

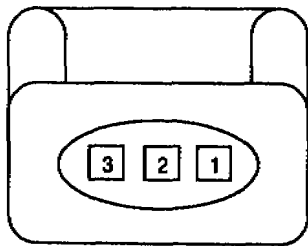


FIG. 5

B030015.08

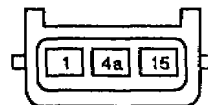


FIG. 6

B040020.00

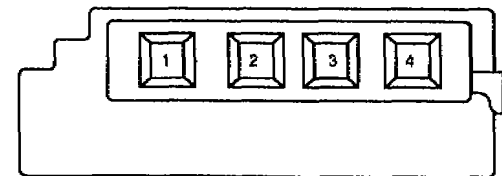


FIG. 1

B090008.01

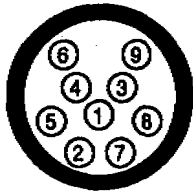


FIG. 2

B030025.00

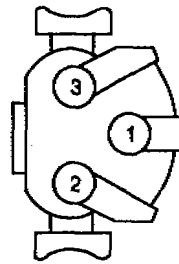


FIG. 3

B060037.01

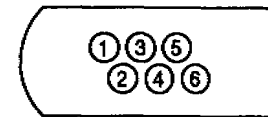


FIG. 4

B060036.00

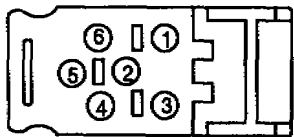


FIG. 5

B030001.00

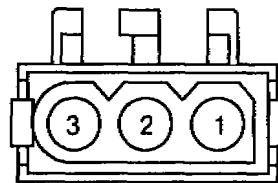


FIG. 6

B060001.00





CONNECTOR VIEWS

FIG. 1

B120004.05

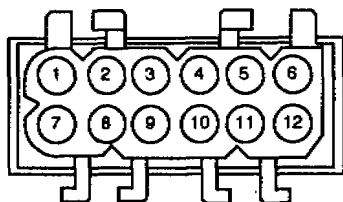


FIG. 2

B480000.00

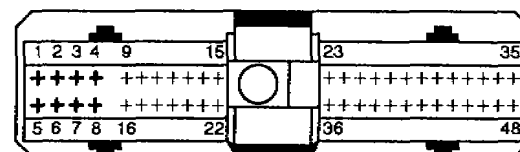


FIG. 3

B100011.01

